

---

KITCHENS, BEDROOMS,  
BATHROOMS

---

Craftsman

Technical  
Guide











## Contents

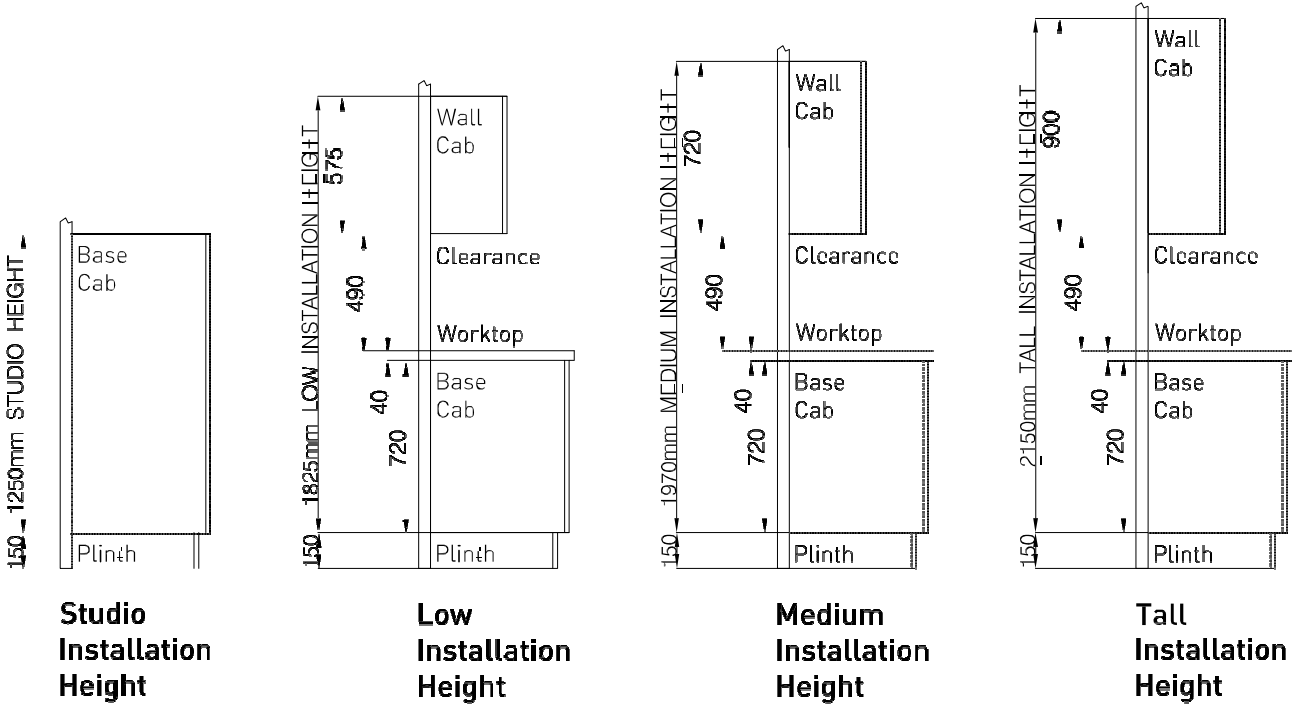
Door Combinations	08
Door Collection	12
Contemporary Doors	21
Classic & Traditional Doors	75
Made To Order Doors	180
Carcasses	242
Bedroom Doors	254
Handles	259
Lighting	282
Drawer Systems and Storage Solutions	288
Accessories	325



# Door Combinations

## Installation Heights

### Studio / Low / Medium / Tall Installation Heights



### Studio Installation Height - Appliances & Full Length Doors

150 - 1250mm STUDIO HEIGHT						895	175	1245
	140	140	283				895	
	140	490/495	355	355		355		
	355				175			175
PLINTH	SINGLE OVEN	SINGLE OVEN	SINGLE OVEN	DOUBLE OVEN	SINGLE OVEN & MICROWAVE / COFFEE MAKER	FRIDGE FREEZER	FRIDGE FREEZER	FRIDGE FREEZER

NOTE: Please refer to door sizes listed in the 'Doors Section' as not all sizes are available in every range. Appliance heights will vary and may have an impact on oven filler / door sizes and heights. Please check appliance heights and appliance specifications before purchasing doors.



# Door Combinations

## Low Installation Heights

### Low Installation Height - Door Combinations

	GLAZED 496	296 313 396 446 496 596	FRAME 496 596	GLAZED 496	496 596 796 896 996	596	596 796 996	496 596 796 896 996	FRAME 796 996	GLAZED 496 596 796 896 996	496 596 796 896 996	
150-1825mm LOW INSTALLATION HEIGHT		570			283 283	490/495	450/455	355			283	
	140	140	140	175	175	355	Belfast Sink	Farmhouse Double Sink	140	715		
	140	140	283	175	175		450	490/495	490/495	570		
	140	140		175	355	355	455					
	140	283	283	175			490					
	140			175								110
PLINTH	496	296 313 396 446 496 596 796 896 996	296 313 396 446 496 596 796 896 996	396 496 596	396 496 596 796 896 996	496 596 796 996	596 796 996	596 796 996	596 796 996	296 313 396 446 496 596 796 896 996	147 256 296 313 346 396 446 496 546 596	596
												Ext / Int Curved Door

### Low Installation Height - Appliances & Full Height Doors

150-1825mm LOW INSTALLATION HEIGHT	490/495	355	570	450	355	355	355	570	355	1245	570	1061
	715	715	715	175	140	283	570		895	570	1245	140
	715 door can be replaced with various combination as shown above		355	283	140	283				570	570	140
				283	283	283						140
	PLINTH	SINGLE OVEN	SINGLE OVEN	DOUBLE OVEN	DOUBLE OVEN	DOUBLE OVEN	DOUBLE OVEN	DOUBLE OVEN	SINGLE OVEN & MICROWAVE / COFFEE MAKER	FRIDGE FREEZER	FRIDGE FREEZER	FRIDGE FREEZER

NOTE: Please refer to door sizes listed in the 'Doors Section' as not all sizes are available in every range. Appliance heights will vary and may have an impact on oven filler / door sizes and heights. Please check appliance heights and appliance specifications before purchasing doors.

# Door Combinations

## Medium Installation Heights

### Medium Installation Height - Door Combinations

	GLAZED 496	FRAME / GLAZED / STANDARD 296 396 446 496 596	147 396 256 446 296 496 313 546 346 596 Ext / Int Curved Door	FRAME 396 496 596	GLAZED 396 496 596 796	496 596 796 896 996	596 796 996	596 796 996	496 596 796 896 996	FRAME / GLAZED 496 596 796 896 996	496 596 796 896 996		
150_1970mm MEDIUM INSTALLATION HEIGHT			715			355	490/495	450/455	355		283		
	140	140	140	175	175	355	Belfast Sink	Farmhouse Double Sink	140	715			
	140	140	283	175	175	355	450	490/495	570				
	140	140		175	355	355	455						
	140	283	283	175			490						
	140												
	PI INTI	496	296	296	396	396	496	596	596	596	296	147	596
			313	313	496	496	596	796	796	796	313	256	
			396	396	596	596	796	996	996	996	396	296	
			446	446		796	896				446	313	
		496	496		896	996				496	346		
		596	596		996					596	396		
		796	796							796	446		
		896	896							896	496		
		996	996							996	546		
											596		
											Ext / Int Curved Door		

### Medium Installation Height - Appliances & Full Length Doors

	490/495	490/495	490/495	490/495	896	715	490/495	715	450	355	490/495	1245	175	980	
150_1970mm MEDIUM INSTALLATION HEIGHT															
	570	140	283	715	175	355	490	175	450	355	570	715	895	980	
		140		715 doors for installation with various combinations shown above											
		283	283												
	PI INTI	SINGLE OVEN	SINGLE OVEN	SINGLE OVEN	SINGLE OVEN	DOUBLE OVEN	DOUBLE OVEN	DOUBLE OVEN	SINGLE OVEN & MICROWAVE / COFFEE MAKER	FRIDGE FREEZER	FRIDGE FREEZER	FRIDGE FREEZER	FRIDGE FREEZER	FRIDGE FREEZER	FRIDGE FREEZER

NOTE: Please refer to door sizes listed in the 'Doors Section' as not all sizes are available in every range. Appliance heights will vary and may have an impact on oven filler / door sizes and heights. Please check appliance heights and appliance specifications before purchasing doors.

# Door Combinations

## Tall Installation Heights

### Tall Installation Height - Door Combinations

	GLAZED 496	296 396 446 496 596	FRAME 396 446 496 596	GLAZLD 396 496 596	296 313 396 446 496 596	FRAME 496 596	GLAZED 496	596	596 796 996	496 596 796 896 996	FRAME 796 996	GLAZLD 496 596 796 896 996	496 596 796 896 996	
2150mm TALL INSTALLATION HEIGHT	1061	895	895	895	570	570	570	490/495	450/455	355	355	355	283	
	140													
	175													
	140	140	140	175	175	355	Belfast Sink	Farmhouse Double Sink		140	715			
	140	140	283	175	175			490/495	490/495	570				
	140	140		175	355	355	450							
	140	283	283	175			455							
	140			175			490							
	PLIN+H	496	296 313 396 446 496 596 796 896 996	296 313 396 446 496 596 796 896 996	396 496 596	396 496 596 796 896 996	496 596 796 896 996	596 796 996	596 796 996	596 796 996	296 313 396 446 496 596 796 896 996	147 256 296 313 346 396 446 496 546 596		
														Ext / Int Curved Door

### Tall Installation Height - Appliances & Full Height Doors

2150mm TALL INSTALLATION HEIGHT	980	980	980	715	490/495	715	895	355	175	355	1245	175	
					175							980	
				110		175							
				715									
				715	570								
				715		175							
				715									
				715									
				715									
	PLIN+H	SINGLE OVEN	SINGLE OVEN	SINGLE OVEN	SINGLE OVEN	DOUBLE OVEN	SINGLE OVEN & MICROWAVE / COFFEE MAKER		FRIDGE FREEZER	FRIDGE FREEZER	FRIDGE FREEZER	FRIDGE FREEZER	FRIDGE FREEZER

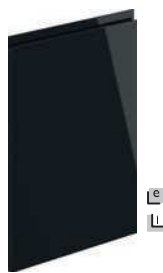
NOTE: Please refer to door sizes listed in the 'Doors Section' as not all sizes are available in every range. Appliance heights will vary and may have an impact on oven filler / door sizes and heights. Please check appliance heights and appliance specifications before purchasing doors.

# Doors

## Door Collection

### Our Full Range at a Glance

The many different environments that can be created with the use of our versatile ranges of doors, has now been further enhanced by the introduction of a new range of striking curved doors. The curved doors and profiles are available in many ranges from Reflections to Dakota; enabling you to fulfill your customers' desires with any look possible. Please look at the individual door ranges for further information on curved doors and profiles. Available in an array of colours, finishes and styles to suit any kitchen environment from ultra contemporary to traditional, the curves lend a feeling of originality to any setting.



Lucente Black



Lucente White



Lucente Cream



Lusso White



Lusso Cream



Reflections Black



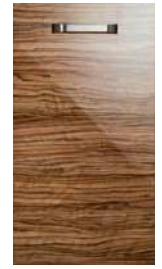
Reflections Cream



Reflections Oak



Reflections Graphite



Reflections Olivewood



Reflections Aubergine



Reflections Zebrano



Reflections Mocha



Reflections Walnut



Reflections Burgundy



Vivo White



Madison Wenge



Madison Cream Ash



Alaska



High Gloss Cream



### Classic & Traditional Doors



Richmond



Ohio Light Walnut



Ohio Cream



Ohio Oak



Ohio Dark Walnut



Cartmel Ivory



Indiana



Delaware Ivory



Sanded Oak Shaker



New England



Denton Ivory



Dakota



Maine



Portland



Boston



New Jersey



Calgary

### Curved Doors & Profiles

Many of the door ranges are now available with external and internal curved doors and profiles. Please look for the symbols next to the door.

Example shown is of the internal and external curved Lucente White door. Please note curved door styles may vary with each door range.

**e** external Curved Door



**i** internal Curved Door



Base door



Wall door

# Doors

## Door Collection - Glazed And Framed Doors

### Glazed Door Frame Options

The frosted glass softens the contents, especially when lit. These exciting doors also provide a focal point, and break up a longer run of cupboards beautifully.



\*\* Lucente Frame Only Doors are available in all Lucente colourways.

Lucente\*\*  
Open Frame Unglazed



\*\*\* Lusso Frame Only Doors are available in all Lusso colourways.

Lusso\*\*\*  
Open Frame Unglazed



Reflections /Vetro  
Made to Measure\*

\* Reflections / Vetro glazed Doors are made to order and available on a 3 week lead time. Please speak to the made to measure department for further information. Available in 10 high gloss colours and various edging options.



Madison Wenge  
Satin Glass



Madison Cream Ash  
Satin Glass



Alaska  
Satin Glass



High Gloss Cream  
Open Frame Unglazed



Aluminium Style  
Glazed Frames  
Satin Glass

Classic & Traditional Doors



Richmond  
Clear Glass



Ohio Light Walnut  
Pink Glass



Ohio Cream  
Satin Glass



Ohio Oak  
Satin Glass



Ohio Dark Walnut  
Satin Glass



Cartmel Ivory  
Satin Glass



Indiana  
Satin Glass



Delaware  
Clear Glass



Sanded Oak Shaker  
Open Frame Unglazed



New England  
Clear Glass



Dakota  
Clear Glass



Maine  
Clear Glass



Portland  
Clear Glass



Boston  
Satin Glass



New Jersey  
Satin Glass



Calgary  
Satin Glass

\*\*\* Fretted frames (open frame unglazed) are available for Denton Ivory.

# Doors

## Door Collection - Made to Order

Vetro Made to Measure



Lucente Hand Painted



Lusso Hand Painted



Richmond Hand Painted



Premium Hand Painted





# Doors

## Door Collection - Made to Order

Cartmel  
Hand Painted



Made To Order  
Sarana &  
Cordova



Made To Order  
Vinyl Doors For  
Kitchens



Made To Order  
Glacier Range



# Doors

## Door Collection - Made to Order Bedroom

Made To Order  
Vinyl Doors For  
Bedrooms

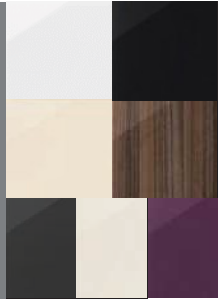


Available in any size from 100 x 100mm to 2400 x 900mm. Currently available in 24 different coloured vinyls and in 23 door styles, giving a large array of combinations.

Made To Order  
Glacier Range  
For Bedrooms



Available in 7 Colours



# Doors

## Door Collection - Made to Order Bedroom



### Kitchen Door Care Instructions

Before commencing any work on doors or accessories, i.e. hinge boring, handle installation, cutting etc. please inspect the product thoroughly, making sure it meets your requirements for colour consistency and that it is free from scratches or blemishes. Once the product has been altered in any way from the state it was supplied it cannot be replaced.

#### Care When Fitting

Always handle doors/drawers with care to avoid damage. When fitting hinges and handles to doors / drawers please ensure doors are placed on a clean and smooth cushioned surface to avoid scratches to the product.

#### Foil / Vinyl / Over Lacquered Doors

Some doors may have a protective film on the face. Direct exposure to sunlight may cause an adverse effect therefore it is recommended you remove this film as soon as possible after fitting. Due to their manufacturing process vinyl doors must not be exposed to temperatures above 70° C as this may cause damage to the door's surface.

#### Timber / Veneer / Hand Painted Doors

Timber is a natural product; therefore colour, grain structure and features will differ from door to door. Raw timber doors must be treated before use.

Timber and veneer doors have a unique and natural characteristic and because of this colours may change over time when exposed to sunlight. Please be aware of this natural colour change when ordering additional doors to suit a previous install. We also recommend you change your timber door samples every six months due to this reason.

Timber doors are affected by moisture; if there is too much moisture in the environment it can have an adverse effect on the door over a period of time. Please check the moisture content of a room before installing timber doors. The above also applies to hand painted doors.

#### Cleaning

We recommend the following door cleaning instructions for all our doors:

- \ Clean the doors using only a solution of 95% luke warm water with no more than 5% soap
- \ Use a clean damp (not wet) cloth
- \ Dry with a soft clean cloth. If it is a timber door run the cloth along the grain direction
- \ Any cooking marks must be wiped immediately
- \ Do not allow liquids to seep into joints of doors, wipe any spillages immediately.

Do not use any of the products listed below to clean the door as it may mark and damage the surface:

- \ Wax furniture polish
- \ Bleach / chlorine based cleaning products
- \ Abrasive cleaners
- \ Solvents
- \ Multi-purpose cleaners
- \ Alcohol based cleaners
- \ Ammonia or any other similar product
- \ Scouring pads or abrasive cloths

#### Environmental Information

Newly plastered rooms and plaster repairs should be left to dry out thoroughly before installation of doors, whatever their material. When fitting doors adjacent to an oven, a suitable heat shield must be used. Please be aware, localised or intense heat/steam can damage fascias, subsequently the use of small appliances such as kettles, toasters etc. in close proximity to your kitchen fascias should be avoided.

Doors should not be exposed to extreme temperature changes.

#### Door Colour and UV Light

Any door range, whether it be over lacquered, vinyl wrapped or painted will change colour over time due to natural UV exposure. Please be aware of this natural occurrence if replacing doors previously installed.

#### Door Storage

Doors should be stored on a stable flat stillage in a horizontal position. Please ensure doors are placed in a cool and dry area.



# Contemporary Doors

Looking for the minimal look or something with the WOW factor? We have a vast array of contemporary door styles that will create the look you desire.

# Contemporary Doors

## Lucente

### Lucente Black

An exciting and powerful statement is created by the use of Lucente Black. The clean-lined, uncomplicated, handleless door brings a sense of simplicity and timeless appeal.

The introduction of internal curved doors provides an effortless flow around the kitchen, bringing with it pleasure to the user.

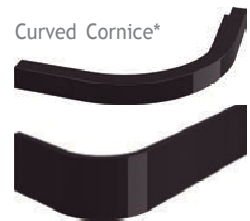


Suggested MFC Board Match  
Egger U999

#### Accessories



Corner Base  
Door (RH)



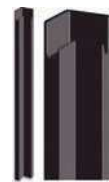
Curved Cornice\*

Curved Plinth\*

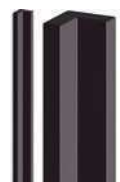
\*Internal curved accessories available



External Post



Corner  
Post Shape



Corner  
Post Slab

# Contemporary Doors

## Lucente

### Lucente White

A powerful statement is created with the ultra contemporary and minimalist Lucente White handleless door. The clean lines flow effortlessly around the furniture to give a simple and uncomplicated exclusive look.



	<h4>Accessories</h4>						
<p>Suggested MFC Board Match Egger W1000</p>	<table border="0"> <tr> <td data-bbox="981 1512 1109 1736"> <p>Corner Base Door (RH)</p> </td> <td data-bbox="1141 1512 1428 1736"> <p>Curved Cornice*</p> </td> </tr> <tr> <td data-bbox="981 1736 1109 1825"> <p>External Post</p> </td> <td data-bbox="1141 1736 1428 1825"> <p>Curved Plinth*</p> <p><small>*Internal curved accessories available</small></p> </td> </tr> <tr> <td data-bbox="981 1825 1109 2004"> <p>Corner Post Shape</p> </td> <td data-bbox="1141 1825 1428 2004"> <p>Corner Post Slab</p> </td> </tr> </table>	<p>Corner Base Door (RH)</p>	<p>Curved Cornice*</p>	<p>External Post</p>	<p>Curved Plinth*</p> <p><small>*Internal curved accessories available</small></p>	<p>Corner Post Shape</p>	<p>Corner Post Slab</p>
<p>Corner Base Door (RH)</p>	<p>Curved Cornice*</p>						
<p>External Post</p>	<p>Curved Plinth*</p> <p><small>*Internal curved accessories available</small></p>						
<p>Corner Post Shape</p>	<p>Corner Post Slab</p>						


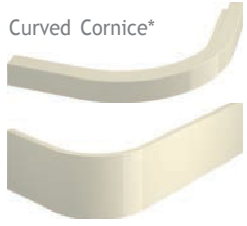



# Contemporary Doors

## Lucente

### Lucente Cream

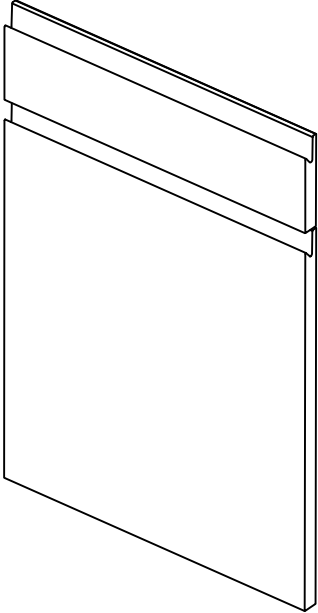
Classic and chic; the Lucente Cream high gloss handleless door creates a warm and welcoming setting. The introduction of curved doors brings with it a softer and bespoke aesthetic.



	<h4>Accessories</h4>  <p>Curved Cornice*</p>  <p>Curved Plinth*</p> <p>*Internal curved accessories available</p>  <p>External Post</p>  <p>Corner Post Shape</p>  <p>Corner Post Slab</p>
<p>Suggested MFC Board Match Egger U104</p>	

# Contemporary Doors

## Lucente



### Product Information

Product Description	Slab door with 'j' shaped groove
Product Colour	White / Cream / Black
Product Finish	High Gloss
Base Material	MDF
Base Thickness	22mm
Covering Material	Painted with White / Cream / Black polyurethane lacquer
Edging Colour	To match with face
Reverse Colour	Melamine back to match with Face (matt finish)
Product Dimension	Standard door and drawer range

### Additional Information

Additional Information  
Accessories are painted  
No glazed option available

## Door & Accessory Descriptions

CODE	DESCRIPTION	CODE	DESCRIPTION	CODE	DESCRIPTION
XX11059	110 x 596 SLAB	XX57044	570 x 446	XXCORNICESQ	SQUARE END STRAIGHT
XX14029	140 x 296	XX57049	570 x 496		CORNICE / PELMET
XX14039	140 x 396	XX57059	570 x 596	XXCURVE	CURVED DOOR 715MM TALL (EXT. CURVE)****
XX14044	140 x 446	XX71514	715 x 147		
XX14049	140 x 496	XX71525	715 x 256	XXCURVE895MM	CURVED DOOR 895MM TALL (EXT. CURVE)****
XX14059	140 x 596	XX71527R1	715 x 273 (RH CNR WALL)**		
XX14079	140 x 796	XX71527L1	715 x 273 (LH CNR WALL)**	XXCURVECORNICESQ	SQUARE END CURVED CORNICE / PELMET (EXT. CURVE)
XX14089	140 x 896	XX71529	715 x 296		
XX14099	140 x 996	XX71531R	715 x 313 (RH CNR BASE)**	XXCURVEPLINTH	CURVED PLINTH (EXT. CURVE)
XX17539	175 x 396	XX71531L	715 x 313 (LH CNR BASE)**	XXINTWALL	CURVED WALL DOOR (INT. CURVE)***
XX17549	175 x 496	XX71534	715 x 345	XXINTBASE	CURVED BASE DOOR (INT. CURVE)***
XX17559	175 x 596	XX71539	715 x 396	XXINTCORNICE	SQUARE END CURVED CORNICE / PELMET (INT. CURVE)
XX28349	283 x 496	XX71544	715 x 446		
XX28359	283 x 596	XX71549	715 x 496	XXINTPLINTH	CURVED PLINTH (INT. CURVE)
XX28379	283 x 796	XX71554	715 x 546	XXEP780	END PANEL SLAB 780 x 350mm x 22mm
XX28389	283 x 896	XX71559	715 x 596	XXEP900	END PANEL SLAB 900 x 650mm x 22mm
XX28399	283 x 996	XX89529	895 x 296	XXEPSHAPE900	END PANEL SHAPE 900 x 650mm x 22mm
XX35549	355 x 496	XX89539	895 x 396	XXEP2400	END PANEL SLAB 2400 x 650mm x 22mm
XXSB35549	355 x 496 SLAB*	XX89544	895 x 446	50EP240018	BLACK END PANEL SLAB 2400 x 650mm x 18mm
XX35559	355 x 596	XX89549	895 x 496	XXPLINTH	PLINTH 3050 x 150 x 18mm
XXSB35559	355 x 596 SLAB*	XX89559	895 x 596	XXCPEXTERNAL	EXTERNAL POST SHAPED
XX35579	355 x 796	XX98059	980 x 596	XXCPSHAPED	CORNER POST SHAPED
XXSB35579	355 x 796 SLAB*	XX124529	1245 x 296	XXCPSLAB	CORNER POST SLAB
XX35589	355 x 896	XX124539	1245 x 396		
XXSB35589	355 x 896 SLAB*	XX124544	1245 x 446		
XX35599	355 x 996	XX124549	1245 x 496		
XXSB35599	355 x 996 SLAB*	XX124559	1245 x 596		
XX45059	450 x 596	XXF35579	355 x 796 FRAME		
XX49059	490 x 596	XXF35599	355 x 996 FRAME		
XX57029	570 x 296	XXF71539	715 x 396 FRAME		
XX57039	570 x 396	XXF71549	715 x 496 FRAME		

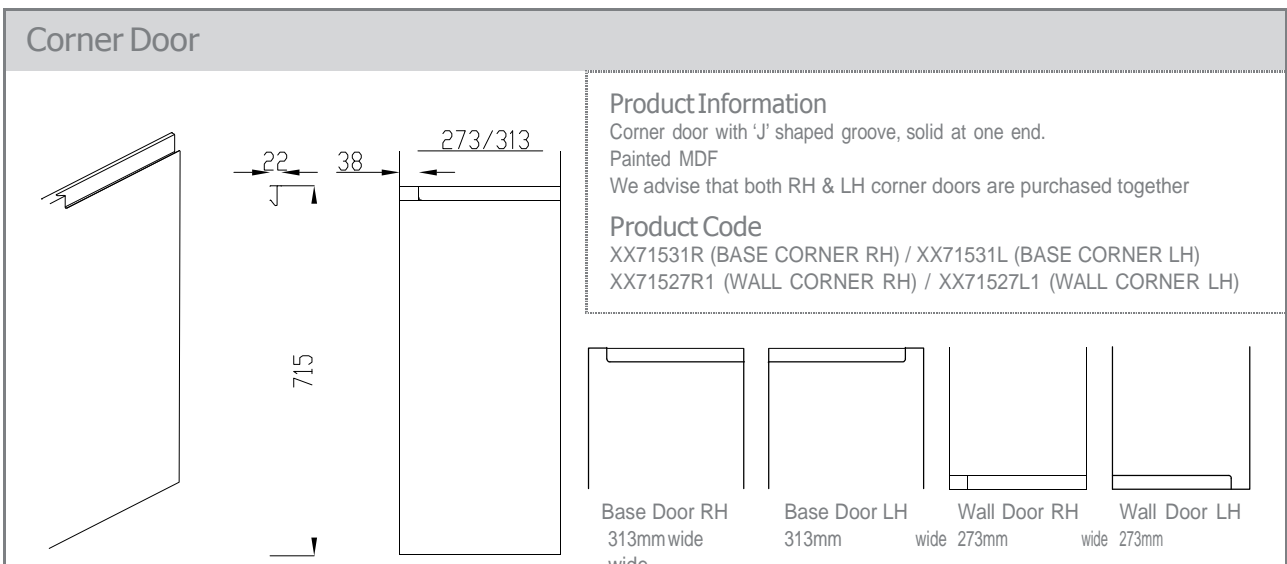
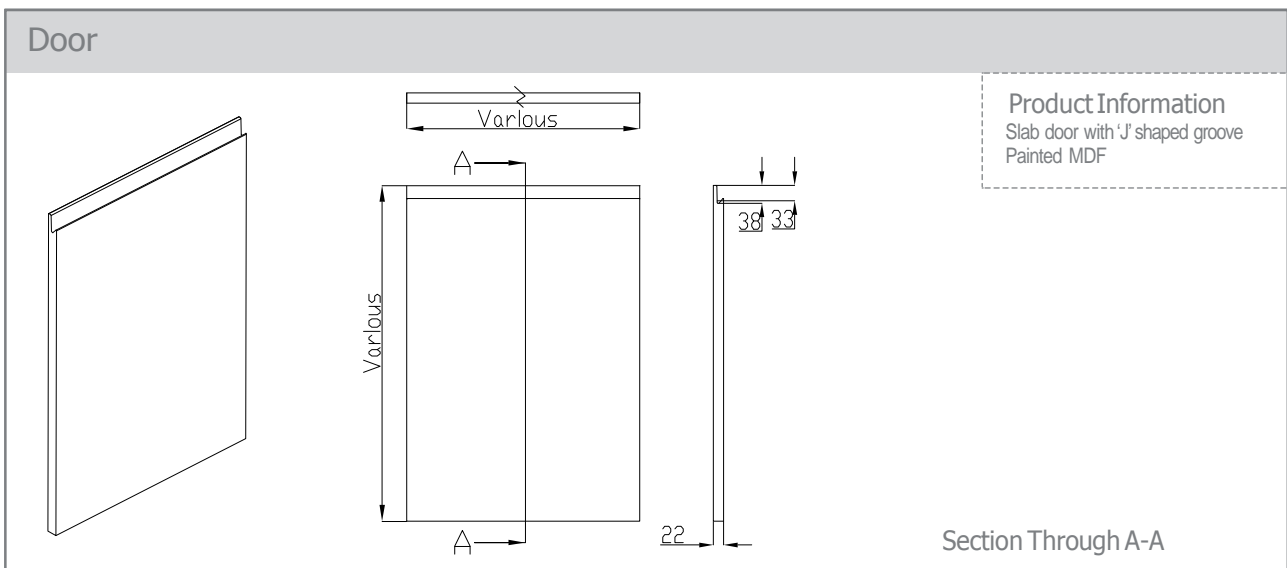
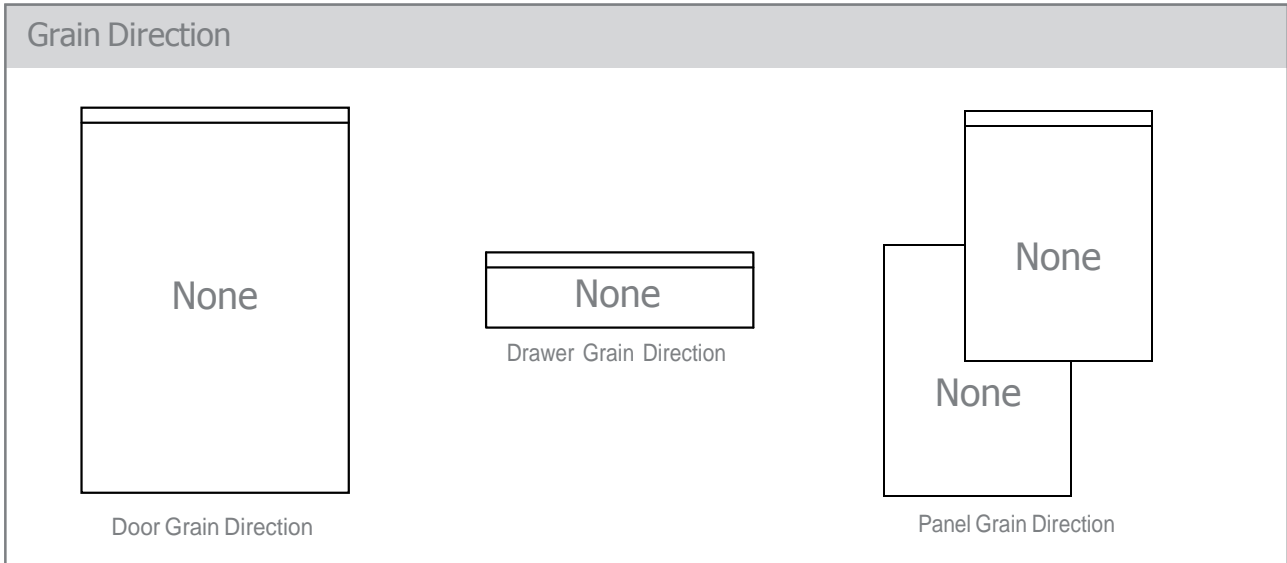
FIRA approved BS6222 (1999) part 3.

\* 355 Slab doors are for the top door of a bi-fold system to allow for the fitting of the mechanism.  
 \*\* Corner doors are handed and it is advised that both LH and RH corner doors are purchased.  
 \*\*\* Internal curved doors are sold as sets  
 \*\*\*\* Not available in Lucente Black

When ordering please replace XX with the prefix code below  
 Prefix 47 = White Prefix 48 = Cream Prefix 50 = Black  
 Example: 4711059 LucenteWhite 110 x 595mm

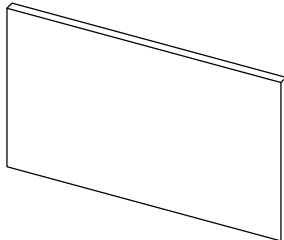
# Contemporary Doors

## Lucente





## 355mm Slab Door

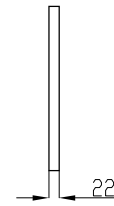
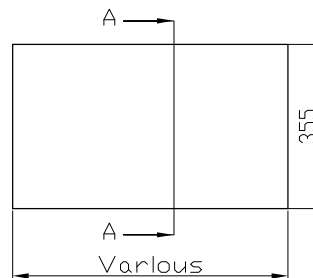


### Product Information

Slab door / Painted MDF

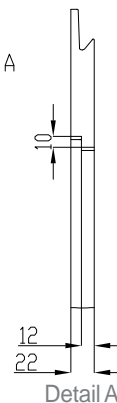
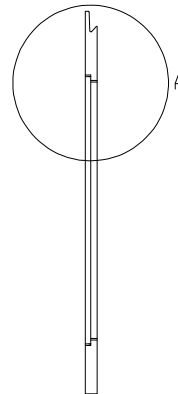
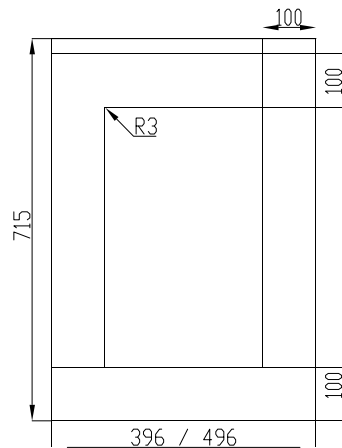
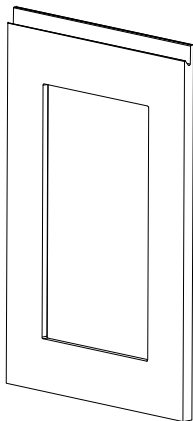
355mm Slab doors are for the top door of a Bi-Fold system to allow for the fitting of the mechanism.

Sizes available: 355 x 496 / 355 x 596 / 355 x 796 / 355 x 896 / 355 x 996  
110 x 596 is also a slab door



Section Through A-A

## Frame Door



Detail A

### Product Information

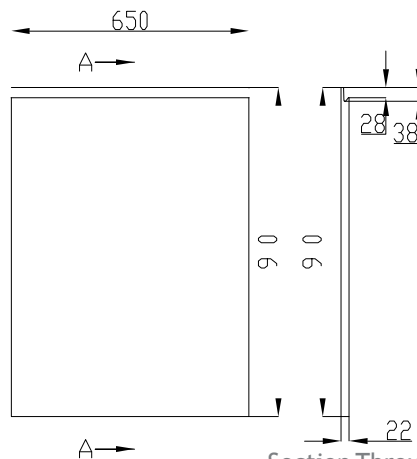
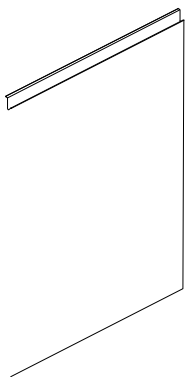
Frame door with 'J' shaped groove Painted MDF

Available in the following sizes:

355 x 796 / 355 x 996

715 x 396 / 715 x 496

## Shaped End Panel



Section Through A-A

### Product Information

Slab panel with 'J' shaped groove

Painted MDF

Other 'SLAB' end panels have no shaped groove and are slab only

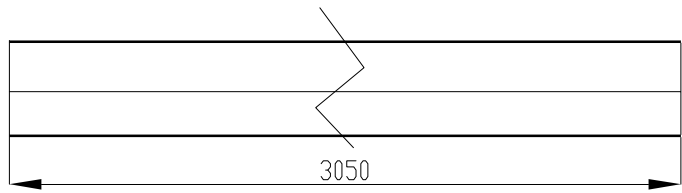
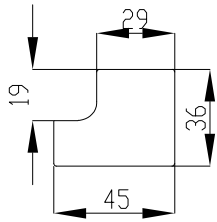
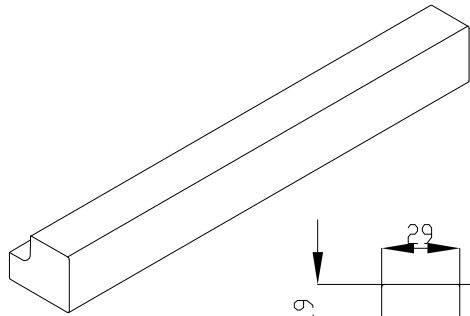
### Product Code

XXEPSHAPE900

# Contemporary Doors

Lucente

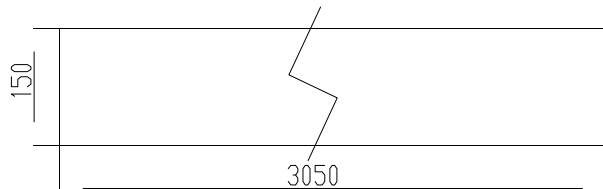
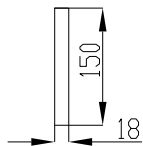
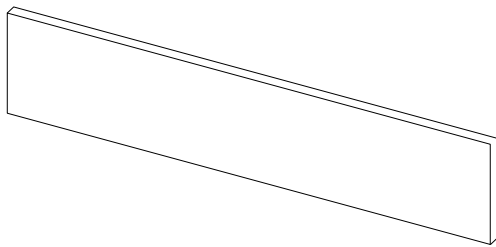
## Square End Straight Cornice / Pelmet



Product Information  
Painted MDF

Product Code  
XXCORNICESQ

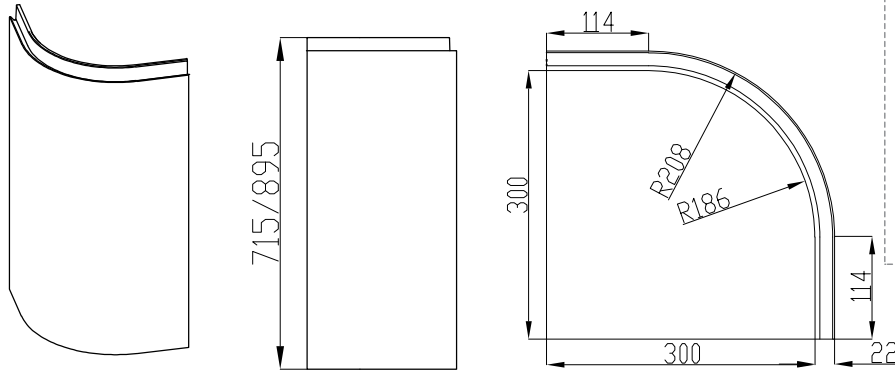
## Plinth



Product Information  
Painted MDF

Product Code  
XXPLINTH

## Curved Door (External Curve)



### Product Information

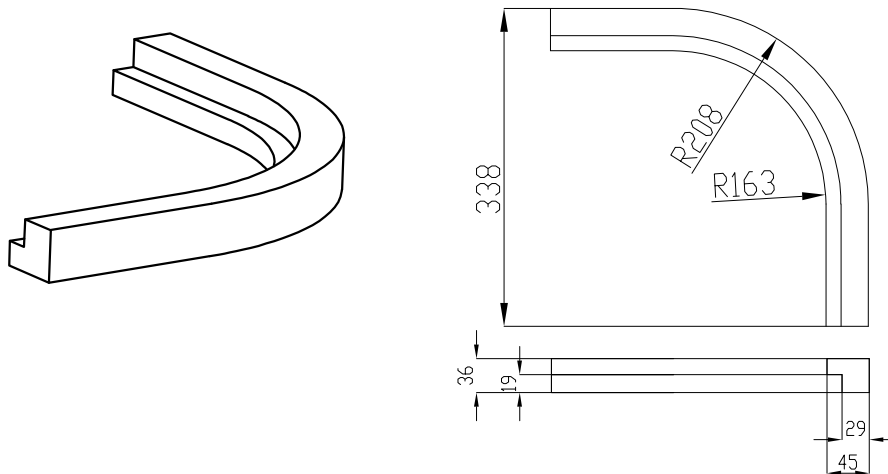
Curved door with 'J' shaped groove  
Painted MDF  
Height of door: 715 / 895mm

### Product Code

XXCURVE (715mm door)  
XXCURVE895MM (895mm door)

Please note that the 895mm tall curved door is not available in Black

## Square End Curved Cornice / Pelmet (External Curve)



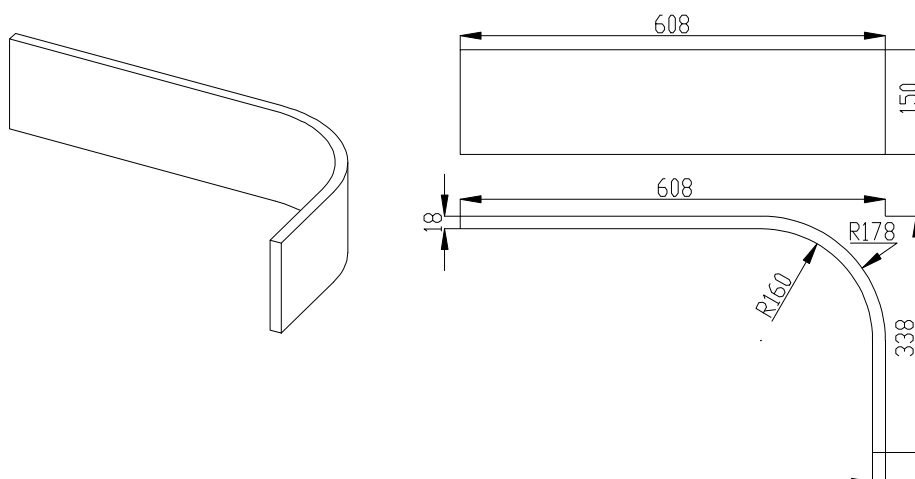
### Product Information

Painted MDF

### Product Code

XXCURVECORNICESQ

## Curved Plinth (External Curve)



### Product Information

Painted MDF

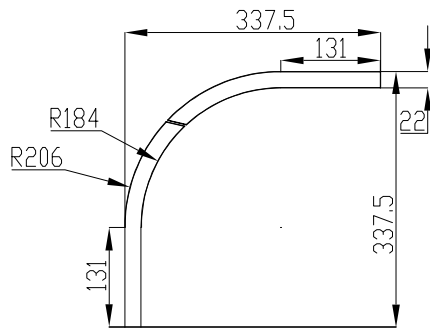
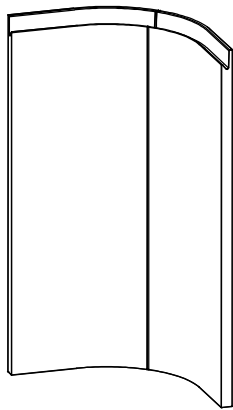
### Product Code

XXCURVEPLINTH

# Contemporary Doors

Lucente

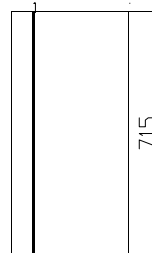
## Base Curved Door (Internal Curve)



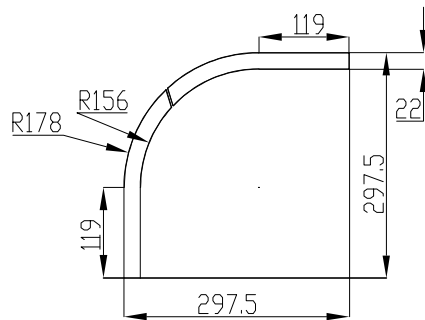
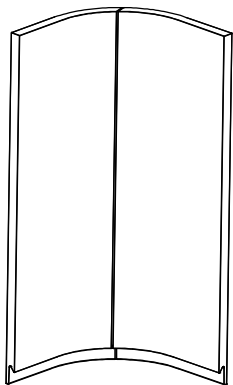
### Product Information

Base internal curved door with 'J' shaped groove  
 Door is made up of 2 parts  
 Painted MDF  
 For optimum opening angle use 170 degree hinges

Product Code XXINTBASE



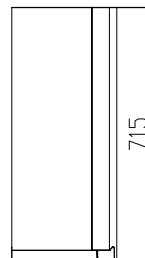
## Wall Curved Door (Internal Curve)



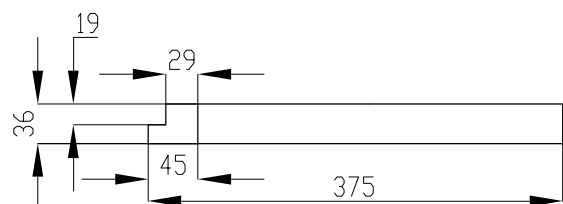
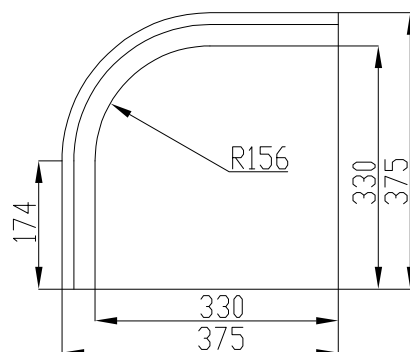
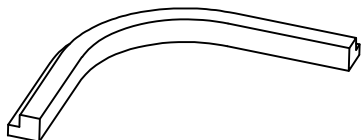
### Product Information

Wall internal curved door with 'J' shaped groove  
 Door is made up of 2 parts  
 Painted MDF  
 For optimum opening angle use 170 degree hinges

Product Code XXINTWALL



## Square End Curved Cornice / Pelmet (Internal Curve)

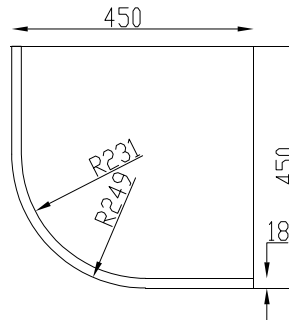
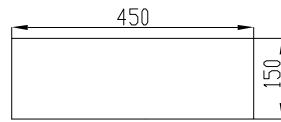
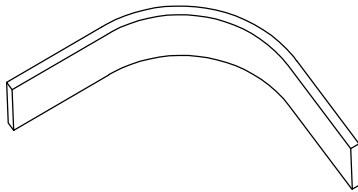


### Product Information

Painted MDF

Product Code  
 XXINTCORNIC

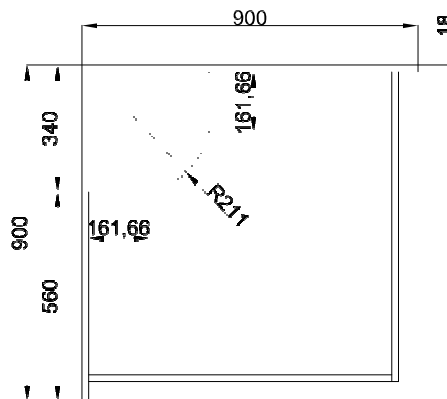
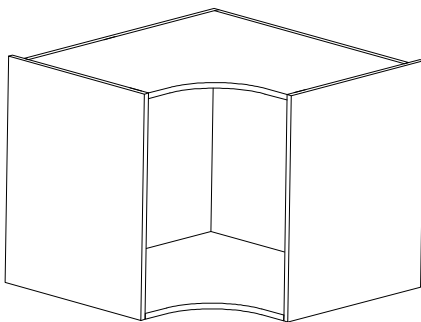
## Curved Plinth (Internal Curve)



**Product Information**  
Painted MDF

**Product Code**  
XXINTPLINTH

## 900 x 900 Base Corner Carcase (Internal Curve)



### Product Information

For use as a standard base  
900 x 900 corner.  
Carcase height: 720mm

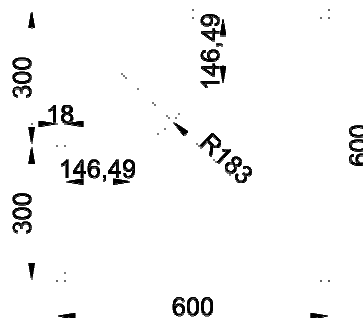
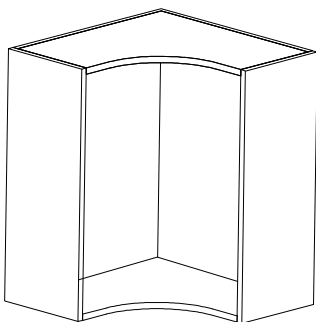
To be used with internal curved  
base doors.

Includes 1 shelf and carcase legs

Use 170 degree hinges with these  
doors.

**Product Code**  
XXINTBASE

## 600 x 600 Wall Corner Carcase (Internal Curve)



### Product Information

For use as a standard wall  
600 x 600 corner.  
Carcase height: 720mm

To be used with internal curved  
wall doors

Includes 1 shelf and carcase legs

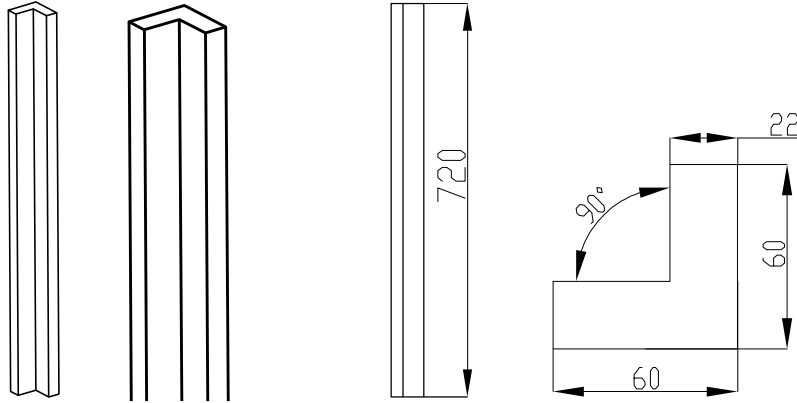
Use 170 degree hinges with these  
doors.

**Product Code**  
XXINTWALL

# Contemporary Doors

Lucente

## Corner Post Slab



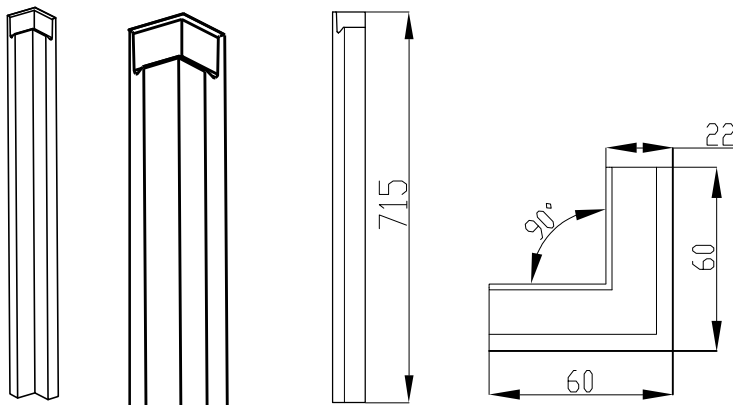
### Product Information

Painted MDF

### Product Code

XXCPSLAB

## Corner Post Shape



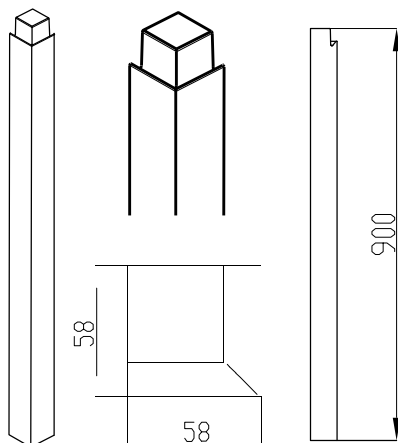
### Product Information

Shaped corner post enables a bespoke look and allows the handle detail to flow around the kitchen  
PaintedMDF

### Product Code

XXCPSHAPED

## External Post

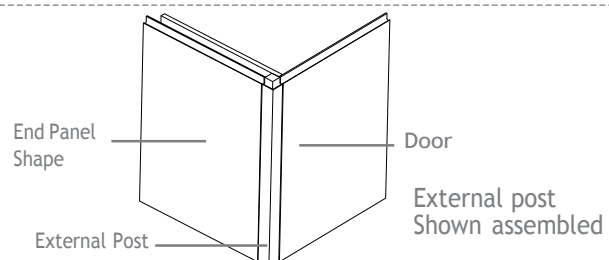


### Product Information

The shaped external post enables a bespoke look and allows the handle detail to flow around the kitchen. This product is to be used with the End Panel Shape Painted MDF. The External Post is a registered design 4020869

### Product Code

XXCPEXTERNAL





# Contemporary Doors

## Lusso

### Lusso White

Simple and stylish, Lusso White is perfect for any setting, from ultra modern to classic. Here the Lusso White doors create a contemporary yet timeless environment.



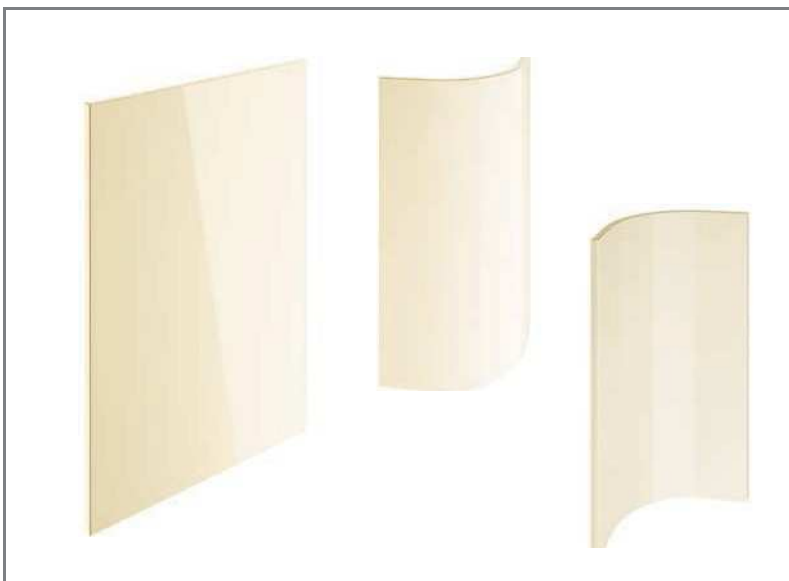
	<h4>Handle Suggestions</h4>  <p>Quadro Foro 75150</p>  <p>Lapac 75396</p>  <p>Galatea 75397</p> <p>Handle shown on display Slim Bar Handle 75368</p>
<p>Suggested MFC Board Match Egger W1000</p>	

# Contemporary Doors

Lusso

## Lusso Cream

Create a contemporary yet warm and inviting setting with high gloss Lusso Cream. The addition of curved doors brings with it a softer aesthetic that welcomes you into the kitchen.



Suggested MFC Board Match  
Egger U104

### Handle Suggestions



Convus Handle  
75393



Samau  
75120

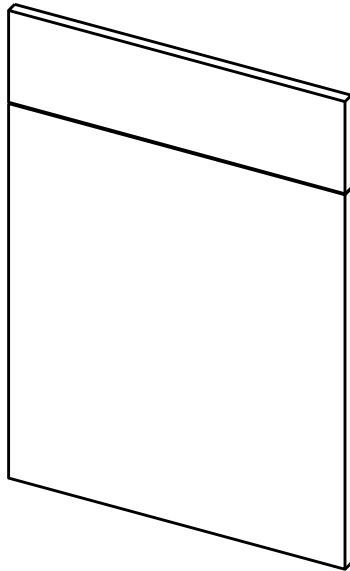


Block End Bar  
75V505

Handle shown on display  
Strap Bar Handle 75372

# Contemporary Doors

## Lusso



### Product Information

Product Description	Slab door
Product Colour	White / Cream
Product Finish	High Gloss
Base Material	MDF
Base Thickness	19mm
Covering Material	Painted with White / Cream polyurethane lacquer
Edge Colour	To match with face
Reverse Colour	Melamine back to match with face (matt finish)
Product Dimension	Standard door and drawer range

### Additional Information

Additional Information  
Accessories are painted  
No glazed option available

### Door & Accessory Descriptions

CODE	DESCRIPTION	CODE	DESCRIPTION	CODE	DESCRIPTION
XX11059	110 X 596 LUSO DOOR	XX71527	715 X 277 LUSO DOOR	XXEP780	LUSO END PANEL 780 x 350 x 19mm
XX14029	140 X 296 LUSO DOOR	XX71529	715 X 296 LUSO DOOR	XXEP900	LUSO END PANEL 900 x 650 x 19mm
XX14039	140 X 396 LUSO DOOR	XX71531	715 X 313 LUSO DOOR	XXEP2400	LUSO END PANEL 2400 x 650 x 19mm
XX14044	140 X 446 LUSO DOOR	XX71534	715 X 345 LUSO DOOR	XXPLINTH	LUSO PLINTH 150 x 3050mm
XX14049	140 X 496 LUSO DOOR	XX71539	715 X 396 LUSO DOOR	XXCORNICESQ	LUSO STRAIGHT SQUARE END CORNICE
XX14059	140 X 596 LUSO DOOR	XX71544	715 X 446 LUSO DOOR	XXCURVE	LUSO EXTERNAL CURVED DOOR
XX14079	140 X 796 LUSO DOOR	XX71549	715 X 496 LUSO DOOR	XXCURVE895MM	CURVED DOOR 895MM TALL (EXT. CURVE)
XX14089	140 X 896 LUSO DOOR	XX71554	715 X 546 LUSO DOOR		
XX14099	140 X 996 LUSO DOOR	XX71559	715 X 596 LUSO DOOR	XXCURVECORNICESQ	LUSO EXTERNAL CURVED SQUARE END CORNICE
XX17539	175 X 396 LUSO DOOR	XX89529	895 X 296 LUSO DOOR	XXCURVEPLINTH	LUSO EXTERNAL CURVED PLINTH
XX17549	175 X 496 LUSO DOOR	XX89539	895 X 396 LUSO DOOR	XXINTWALL	LUSO INTERNAL CURVED WALL DOOR
XX17559	175 X 596 LUSO DOOR	XX89544	895 X 446 LUSO DOOR	XXINTBASE	LUSO INTERNAL CURVED BASE DOOR
XX28349	283 X 496 LUSO DOOR	XX89549	895 X 496 LUSO DOOR	XXINTCORNICE	LUSO INTERNAL CURVED SQUARE END CORNICE
XX28359	283 X 596 LUSO DOOR	XX89559	895 X 596 LUSO DOOR	XXINTPLINTH	LUSO INTERNAL CURVED PLINTH
XX28379	283 X 796 LUSO DOOR	XX98059	980 X 596 LUSO DOOR		
XX28389	283 X 896 LUSO DOOR	XX124529	1245 X 296 LUSO DOOR		
XX28399	283 X 996 LUSO DOOR	XX124539	1245 X 396 LUSO DOOR		
XX35549	355 X 496 LUSO DOOR	XX124544	1245 X 446 LUSO DOOR		
XX35559	355 X 596 LUSO DOOR	XX124549	1245 X 496 LUSO DOOR		
XX35579	355 X 796 LUSO DOOR	XX124559	1245 X 596 LUSO DOOR		
XX35589	355 X 896 LUSO DOOR	XXF35579	355 x 796 FRAME		
XX35599	355 X 996 LUSO DOOR	XXF35599	355 x 996 FRAME		
XX45059	450 X 596 LUSO DOOR	XXF71539	715 x 396 FRAME		
XX49059	490 X 596 LUSO DOOR	XXF71549	715 x 496 FRAME		
XX57029	570 X 296 LUSO DOOR				
XX57039	570 X 396 LUSO DOOR				
XX57044	570 X 446 LUSO DOOR				
XX57049	570 X 496 LUSO DOOR				
XX57059	570 X 596 LUSO DOOR				
XX71514	715 X 147 LUSO DOOR				
XX71525	715 X 256 LUSO DOOR				

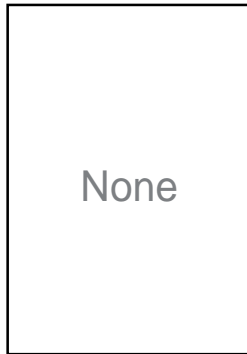
When ordering please replace XX with the Prefix code below

Prefix 90 - White  
Prefix 91 - Cream

# Contemporary Doors

Lusso

## Grain Direction - Solid Colours



Door Grain Direction

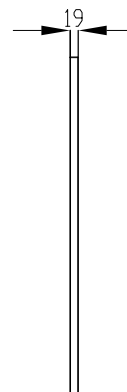
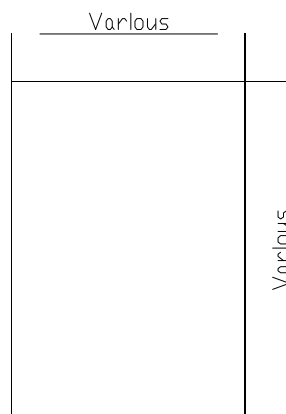
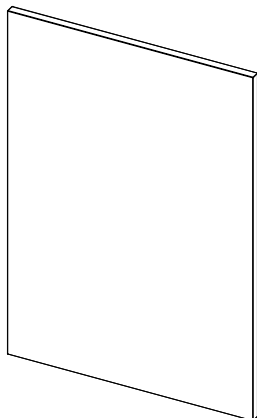


Drawer Grain Direction



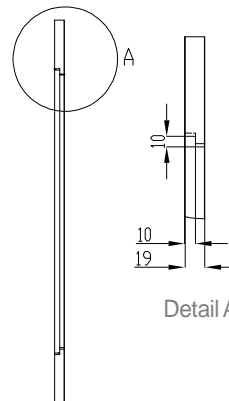
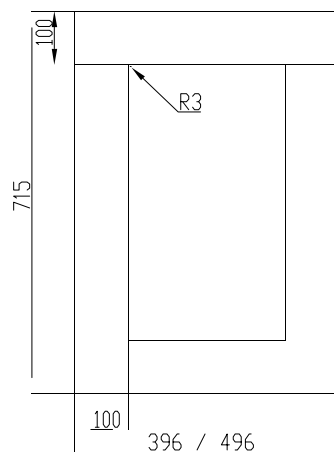
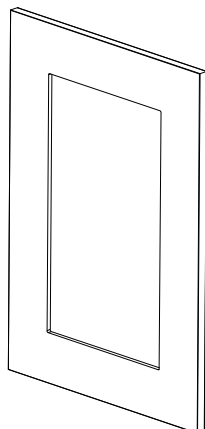
Panel Grain Direction

## Door / Drawer



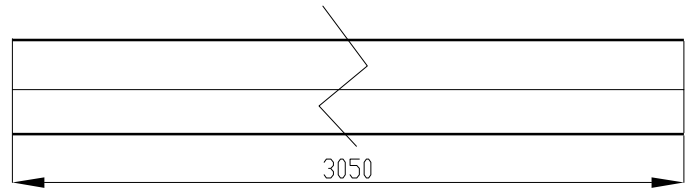
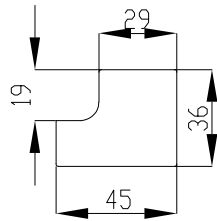
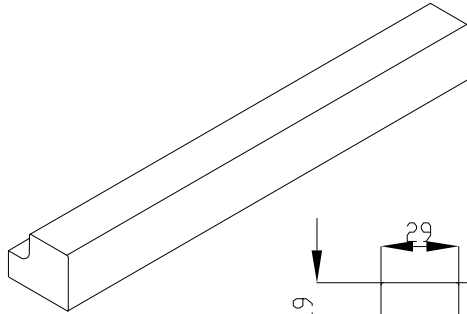
Product Information  
Painted MDF

## Frame Door



Product Information  
Frame door  
Painted MDF  
Available in the following sizes:  
355 x 796 / 355 x 996  
715 x 396 / 715 x 496

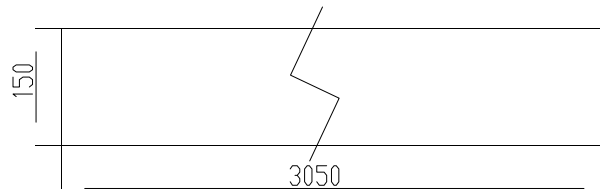
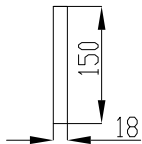
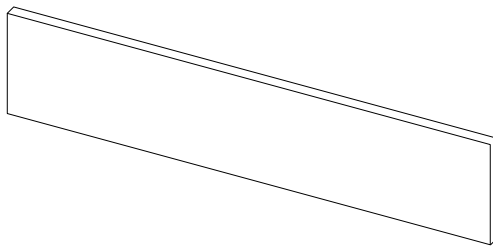
## Square End Straight Cornice / Pelmet



Product Information  
Painted MDF

Product Code  
XXCORNICESQ

## Plinth



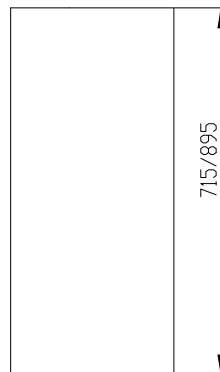
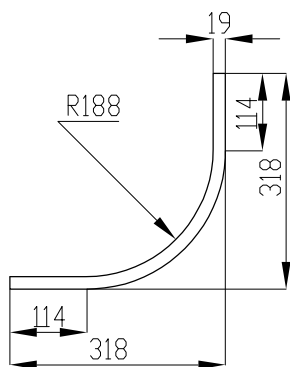
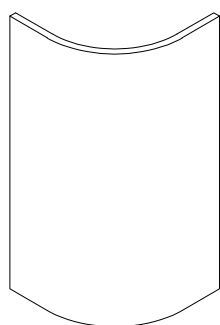
Product Information  
Painted MDF

Product Code  
XXPLINTH

# Contemporary Doors

Lusso

## Curved Door (External Curve)



### Product Information

Painted MDF

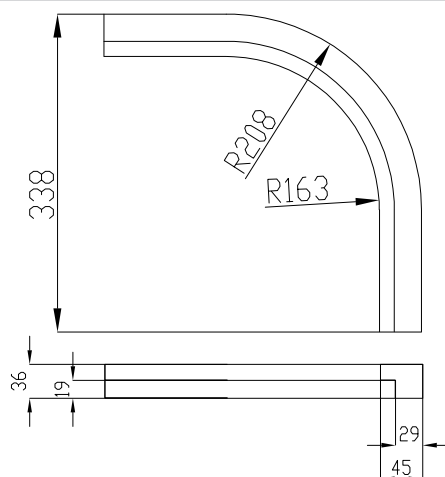
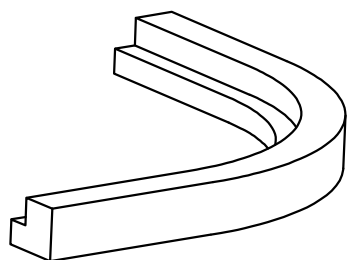
Height of door: 715 / 900mm

### Product Information

XXCURVE (715mm door)

XXCURVE895MM (895mm door)

## Square End Curved Cornice / Pelmet (External Curve)



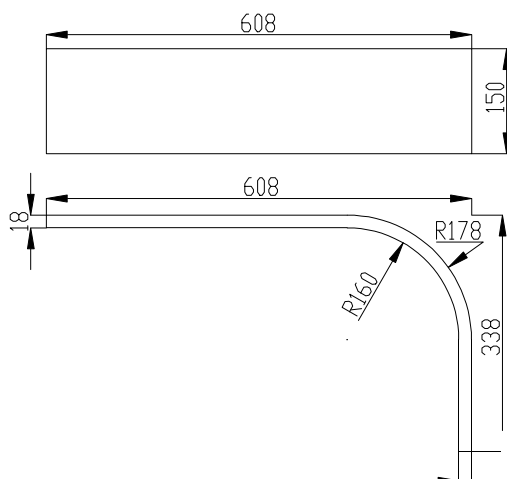
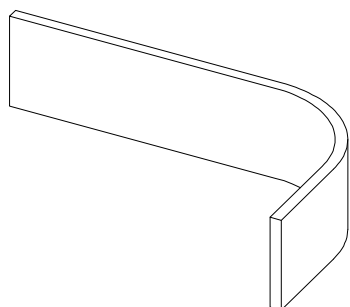
### Product Information

Painted MDF

### Product Code

XXCURVECORNICESQ

## Curved Plinth (External Curve)



### Product Information

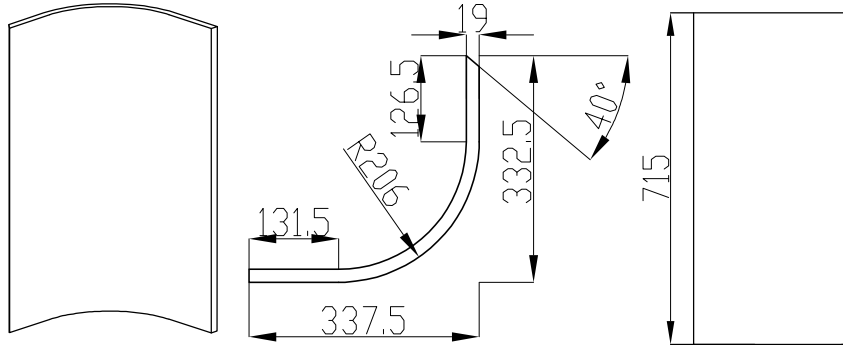
Painted MDF

### Product Code

XXCURVEPLINTH



## Base Curved Door (Internal Curve)

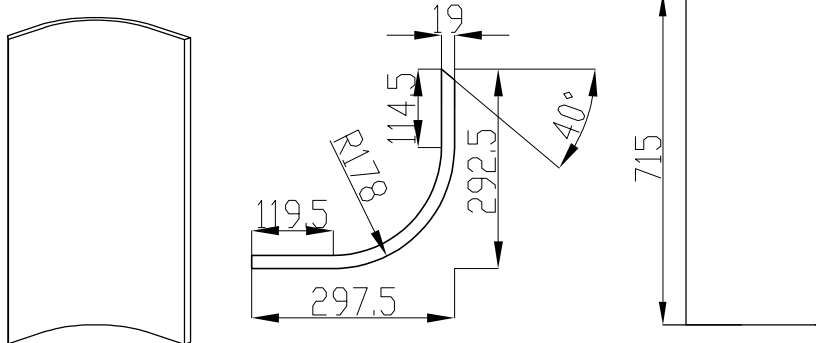


### Product Information

Base internal curved door  
Painted MDF  
For optimum opening angle use 170 degree hinges

Product Code XXINTBASE

## Wall Curved Door (Internal Curve)

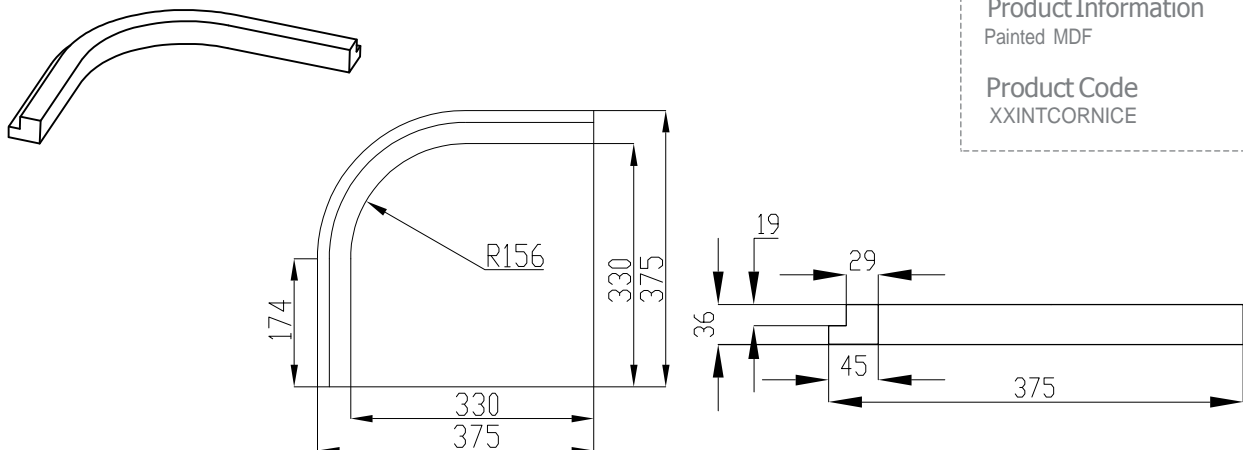


### Product Information

Wall internal curved door  
Painted MDF  
For optimum opening angle use 170 degree hinges

Product Code XXINTWALL

## Square End Curved Cornice / Pelmet (Internal Curve)



### Product Information

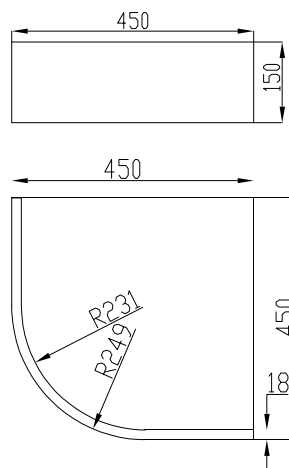
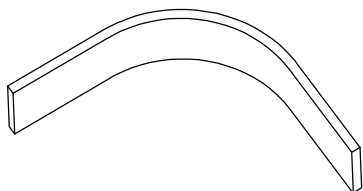
Painted MDF

Product Code  
XXINTCORNIC

# Contemporary Doors

Lusso

## Curved Plinth (Internal Curve)



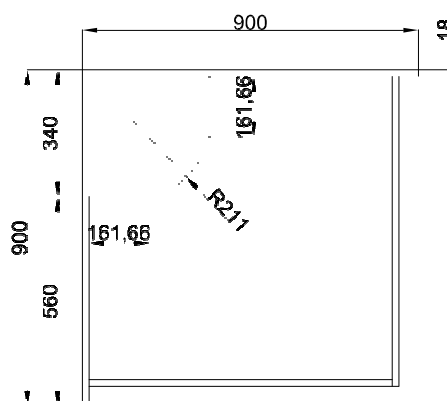
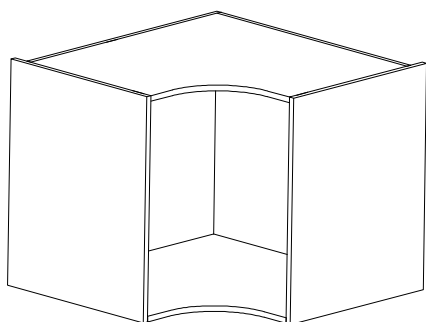
### Product Information

Painted MDF

### Product Code

XXINTPLINTH

## 900 x 900 Base Corner Carcase (Internal Curve)



### Product Information

For use as a standard base  
900 x 900 corner.  
Carcase height: 720mm

To be used with internal curved  
base doors.

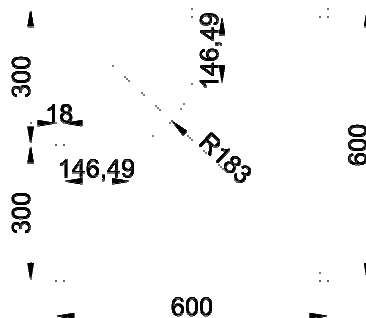
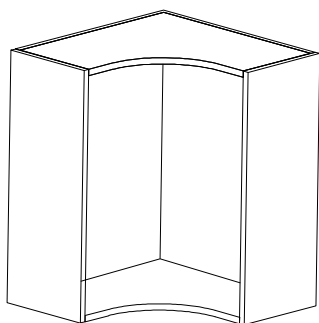
Includes 1 shelf and carcase legs

Use 170 degree hinges with these  
doors.

### Product Code

XXINTBASE

## 600 x 600 Wall Corner Carcase (Internal Curve)



### Product Information

For use as a standard wall  
600 x 600 corner.  
Carcase height: 720mm

To be used with internal curved  
wall doors

Includes 1 shelf and carcase legs

Use 170 degree hinges with these  
doors.

### Product Code

XXINTWALL

# Contemporary Doors

## Reflections

### Reflections Black

The undisputed versatility of the Reflections range is illustrated through Reflections Black. The high gloss black finish brings a bold yet elegant feel to any environment.

The use of double height curved doors and glazed frames provides a bespoke and exclusive aesthetic.



Suggested MFC Board Match  
Black: Egger U999

#### Handle Suggestions



Quadro Scuro  
75153



BowT Bar  
75256



Lapac  
75396

Handle shown on display / door image  
Flat Ended T Bar Handle 75236 /  
Strap Bar Handle 75372

# Contemporary Doors

## Reflections

### Reflections Cream & Oak

Reflections serve the latest in up-to-the-minute demands for flat, clean-lined, continentally styled kitchens. Here high gloss Cream and Oak are cleverly used together to give a contrasting, contradictory appearance with both contemporary and traditional aspects.



Suggested MFC Board Match  
Cream: Egger U222 / Oak: Egger H1334

#### Handle Suggestions



Convus Handle  
75393



Bow Handle  
75V520



Bow Handle  
75V526

Handle shown on display / door image  
Massive Block Handle 75475 /  
Strap Bar Handle 75372

# Contemporary Doors

## Reflections

### Reflections Graphite

Reflections Graphite is the latest addition to the popular Reflections range of doors. This door has the 'WOW' factor and an ageless aesthetic which can be used to create any look required.

Here the minimalist and ultra-modern styling creates a very exclusive and powerful look.



Please note that the Linea handle shown on this display is no longer available.



Suggested MFC Board Match  
Egger U961

#### Handle Suggestions



Quadro Foro  
75150



Block Handle  
75V511



Samau  
75120

Handle shown on door image  
Strap Bar Handle 75372

# Contemporary Doors

## Reflections

### Reflections Olivewood & Black

Create a contemporary and exclusive look with Reflections Olivewood. This exciting accent door can be mixed with other colours as shown here with Reflections Black to bring you the ultimate aesthetic.



#### Suggested MFC Board Match

Black: Egger U999 / Olivewood: Egger H3030 / Use Black or White Board

#### Handle Suggestions



Pico  
75161



Correa  
75961



Sendoro  
75130

Handle shown on display / door image  
Flat Ended T Bar Handle 75236  
Strap Bar Handle 75372



# Contemporary Doors Reflections

## Reflections Aubergine & Oak

Another superbly executed twist on the highly popular Reflections range of doors. The initially more traditional Oak finish is contradicted by the amazing lustre of the new Aubergine to create an ultra-contemporary and fresh feel. Clean and sleek, this really is the latest in chic and modern styling.



Suggested MFC Board Match  
Aubergine: Egger U330 / Oak: Egger H1334

### Handle Suggestions



Handle shown on display / door image  
Square Handle 7514 /  
Strap Bar Handle 75372

# Contemporary Doors

## Reflections

### Reflections Zebrano & Black

Yet another dramatic and contrasting setting is produced by the clever use of the latest addition to our already popular range of doors, Zebrano, along with the ultra-versatile Reflections Black.

A clean and clear, yet powerful statement will be created in any environment into which these stunning doors are introduced.



Suggested MFC Board Match  
Black: Egger U999 / Zebrano: Egger H3005

#### Handle Suggestions



Quadro Scuro  
75153



Bow T Bar  
75256



Lapac  
75396

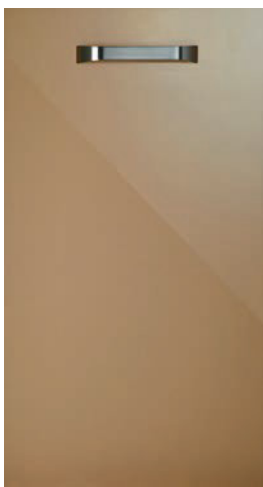
Handle shown on door image  
Strap Bar Handle 75372

# Contemporary Doors

## Reflections

### Reflections Mocha

Mocha is yet another offering in the ultra-modern, superbly minimalist Reflections high gloss range of doors. It brings with it a soothing feeling of complicity and cleanliness, which is further enhanced with the use of clever symmetry and subtle, under-toned lighting.



Suggested MFC Board Match  
Egger U222

#### Handle Suggestions



Bar Drop Handle  
7571



Block Handle  
75V511



Sendoro  
75130

Handle shown on display / door image  
Square Handle 7511  
Strap Bar Handle 75372

# Contemporary Doors

## Reflections

### Reflections Walnut & Black

Another powerful contrasting statement is achieved by the use of both high gloss Walnut and high gloss Black Reflections slab doors.

A feeling of practicality and cleanliness. These really are the latest in a range of flat, clean-lined doors, which serve to bring versatility and an uncomplicated sleekness to any environment.



Suggested MFC Board Match  
Black: Egger U999 / Walnut: Egger H3704

#### Handle Suggestions



Wide D Handle  
75375



Half Moon  
Bar Handle  
75355



Lamington  
75395

Handle shown on display / door image  
Massiv Block End Handle 75456 /  
Strap Bar Handle 75372







# Contemporary Doors Reflections

## Reflections Burgundy

A variation on the latest, ultra-modern, ultra-versatile Reflections range is the high gloss Burgundy. The high gloss Burgundy finish brings a dramatic feel to any situation and makes a powerful statement.



	<h3>Handle Suggestions</h3>  <p>Honeycomb Effect Square Handle 75391</p>  <p>Pitted Bar Handle 75901A</p>  <p>Aqonia 75483</p> <p>Handle shown on disolav / door image Block End Bar Handle 75434 / Strap Bar Handle 75372</p>
<p>Suggested MFC Board Match EggerU311</p>	

# Contemporary Doors

## Reflections

### Reflections High Gloss Slab And Curved Door Range

Reflections High Gloss slab door range is available in 6 solid colours and 4 wood grains. These highly popular doors can create any look required from an ultra contemporary sleek aesthetic to an elegant classic look. Curved doors and accessories are available for the solid colours which enable unlimited and exciting possibilities.



Reflections Black  
Prefix: 58



Reflections Cream  
Prefix: 55



Reflections Oak  
Prefix: 60



Reflections Graphite  
Prefix: 54



Reflections Olivewood  
Prefix: 52



Reflections Aubergine  
Prefix: 63



Reflections Zebrano  
Prefix: 61



Reflections Mocha  
Prefix: 56



Reflections Walnut  
Prefix: 59



Reflections Burgundy  
Prefix: 57



Reflections Black  
External Curved Door



Reflections Cream  
External Curved Door



Reflections Graphite  
External Curved Door



Reflections Aubergine  
External Curved Door



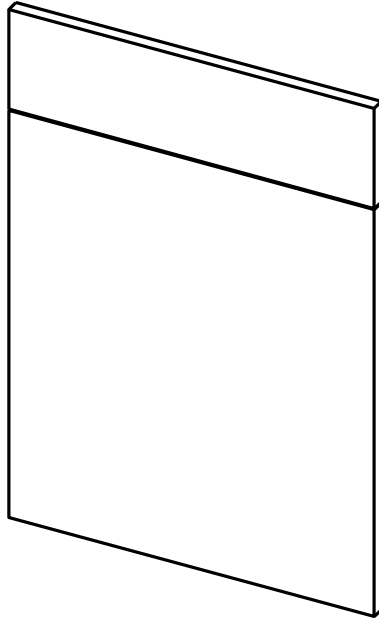
Reflections Mocha  
External Curved Door



Reflections Burgundy  
External Curved Door

# Contemporary Doors

## Reflections



### Product Information

Product Description	Slab door, no detailing
Product Colour	Reflections range
Product Finish	High gloss
Base Material	MFC
Base Thickness	18mm
Covering Material	High gloss lacquer
Edging Material	PVC
Edging Thickness	1.5mm
Edging Colour	To match with face
Reverse Colour	To match with face (matt finish)***
Product Dimension	Standard door and drawer range

### Additional Information

No frame version is available in this door  
 Side Only glazed frames are available on a Made to Measure service  
 Please speak to the made to measure department for further information  
 2400 x 900 End panels are edged two short; all other end panels are edged all around.

### Door & Accessory Descriptions

CODE	DESCRIPTION	CODE	DESCRIPTION	CODE	DESCRIPTION
XX11059	110 x 596	XX57044	570 x 446	XXE90065	END PANEL 900 x 650mm
XX14029	140 x 295	XX57049	570 x 495	XXE240065	END PANEL 2400 x 650mm
XX14039	140 x 395	XX57059	570 x 595	XXE240090	END PANEL 2400 x 900mm
XX14044	140 x 446	XX71514	715 x 147	XXE78035	END PANEL 780 x 350mm
XX14049	140 x 495	XX71525	715 x 256*	XXEDGE PVC25	1.5mm X 25m PVC EDGING
XX14059	140 x 595	XX71527	715 x 277	XXMODERN	MODERN CORNICE / LIGHT RAIL
XX14079	140 x 795	XX71529	715 x 295	XXPLINTH	PLINTH 150 x 2800 / 3050mm**
XX14089	140 x 895	XX71531	715 x 313	XXCURVE	CURVED DOOR (EXT. CURVE)*
XX14099	140 x 995	XX71534	715 x 345	XXCURVECORNICE	CURVED CORNICE (EXT. CURVE)*
XX17539	175 x 396	XX71539	715 x 395	XXCURVEPLINTH	CURVED PLINTH (EXT. CURVE)*
XX17549	175 x 495	XX71544	715 x 445		
XX17559	175 x 595	XX71549	715 x 495		
XX28349	283 x 495	XX71554	715 x 546		
XX28359	283 x 595	XX71559	715 x 595		
XX28379	283 x 795	XX89529	895 x 295		
XX28389	283 x 895	XX89539	895 x 395		
XX28399	283 x 995	XX89544	895 x 446		
XX35549	355 x 495	XX89549	895 x 495		
XX35559	355 x 595	XX89559	895 x 595		
XX35579	355 x 795	XX98059	980 x 595		
XX35589	355 x 895	XX124529	1245 x 295		
XX35599	355 x 995	XX124539	1245 x 395		
XX45059	450 x 595	XX124544	1245 x 445		
XX49059	490 x 595	XX124549	1245 x 495		
XX57029	570 x 295	XX124559	1245 x 595		
XX57039	570 x 395				

\* Not available in Walnut, Oak, or Zebrano

\*\* Woodgrain plinth is 150 x 2800mm  
 Solid colour plinth is 150 x 3050mm

\*\*\* Mocha does not have a matching reverse, the reverse is cream

When ordering please replace XX with the prefix code below

Prefix 54 = Graphite	Prefix 55 = Cream	Prefix 56 = Mocha
Prefix 57 = Burgundy	Prefix 58 = Black	Prefix 59 = Walnut
Prefix 60 = Oak	Prefix 61 = Zebrano	Prefix 63 = Aubergine

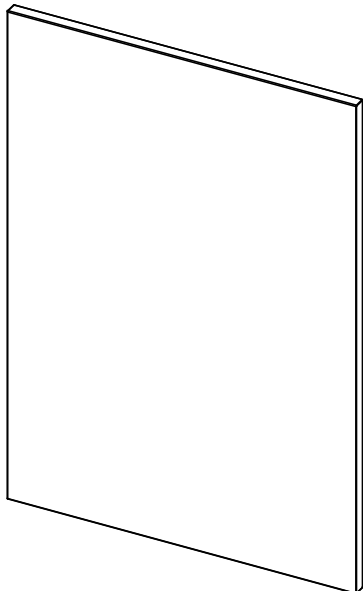
Example: 5511059 Reflection Cream 110 x 596mm

We are now able to offer Reflections /Metro glazed frames as a made to measure service. These doors are available in sides only and any bespoke size is possible. Glazed frames come in 10 high gloss colours to match the Reflections range of doors. For further information please phone CRAFTSMAN LTD's Made To Measure department.



# Contemporary Doors

## Reflections Olivewood



### Product Information

Product Description	Slab door, no detailing
Product Colour	Reflections Olivewood
Product Finish	High gloss
Base Material	MFC
Base Thickness	18mm
Covering Material	High gloss lacquer
Edging Material	PVC
Edging Thickness	1.5mm
Edging Colour	To match with face
Reverse Colour	To match with face (matt finish)
Product Dimension	Please see sizes below

### Additional Information

No frame version is available in this door  
 Side Only glazed frames are available on a Made to Measure service  
 Please speak to the made to measure department for further information  
 Reflections Olivewood is an accent door therefore limited sizes are available, alternatively please order Vetro Olivewood for unlimited size combinations

### Door & Accessory Descriptions

CODE	DESCRIPTION
5235549	355 x 495
5235559	355 x 595
5235579	355 x 795
5235589	355 x 895
5235599	355 x 995
5271514	715 x 147
5271529	715 x 295
5271539	715 x 395
5271544	715 x 445
5271549	715 x 495
5271559	715 x 595
52124529	1245 x 295
52124549	1245 x 495

Curved doors and profiles are not available for Reflections Olivewood.

We are now able to offer Reflections /Vetro glazed frames as a made to measure service. These doors are available in sides only and any bespoke size is possible. Glazed frames come in 10 high gloss colours to match the Reflections range of doors.

### Grain Direction - Solid Colours



Door Grain Direction

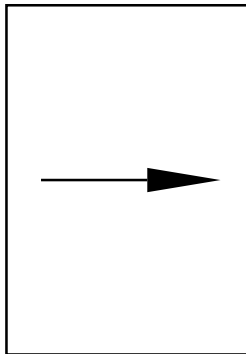


Drawer Grain Direction



Panel Grain Direction

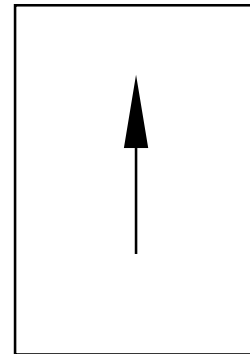
### Grain Direction - Wood Grain (Oak/Zebrano/Olivewood\*)



Door Grain Direction



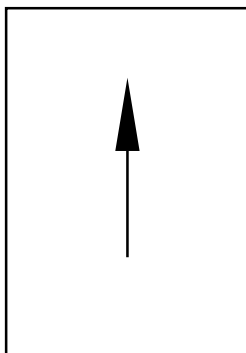
Drawer Grain Direction



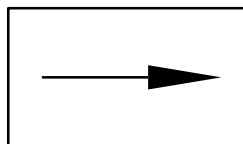
Panel Grain Direction

\*Please note there is no end panel available for olivewood, this is only an accent door

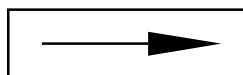
### Grain Direction - Wood Grain (Walnut)



Door Grain Direction

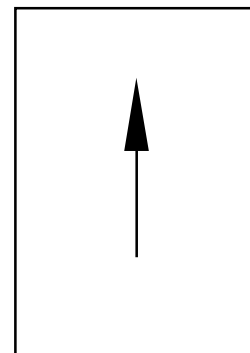


283 / 355mm



110 / 140 / 175mm

Drawer Grain Direction



Panel Grain Direction

# Contemporary Doors Reflections

Door / Drawer

Product Information  
Over-lacquered MFC

Curved Door (External Curve)

Product Information  
Over painted vinyl wrapped PLY  
Height of door: 715mm

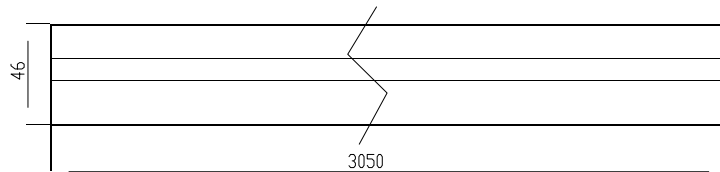
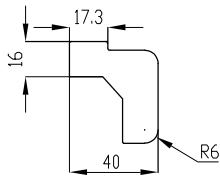
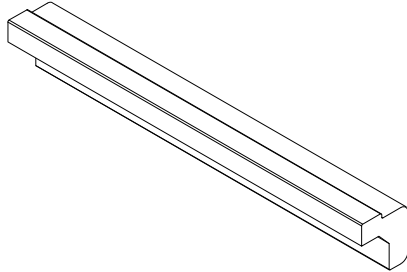
Product Information  
XXCURVE

Glazed Door - Sides Only (Made To Measure)

Product Information  
3 pc glazed door  
Over lacquered MFC  
Clear toughened glass  
Made to your specific size requirements  
Available on a 3 week lead time  
Please speak to the Made To Measure department  
for further information

# Contemporary Doors Reflections

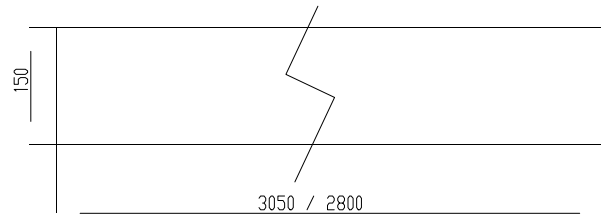
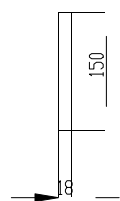
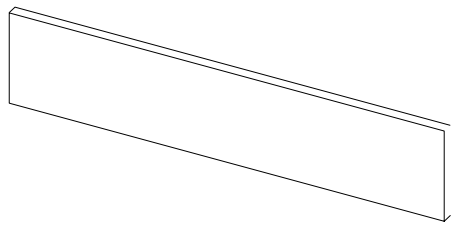
## Modern Cornice / Light Rail



**Product Information**  
Painted MDF, coloured to range

**Product Code**  
XXMODERN

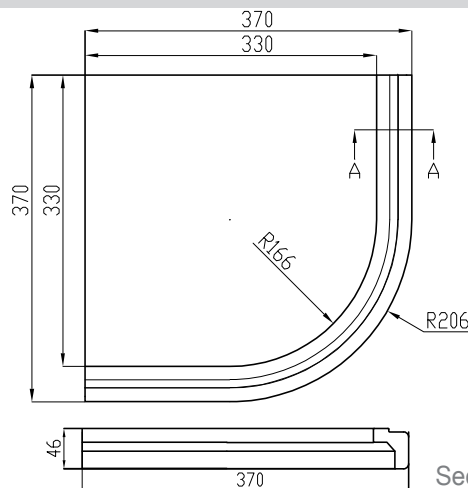
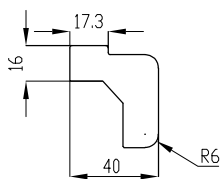
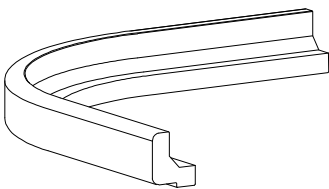
## Plinth



**Product Information**  
Over-lacquered MFC  
3050mm Plinth: Solid colours  
2800mm Plinth: Wood grains

**Product Information**  
XXPLINTH

## Curved Cornice / Light Rail



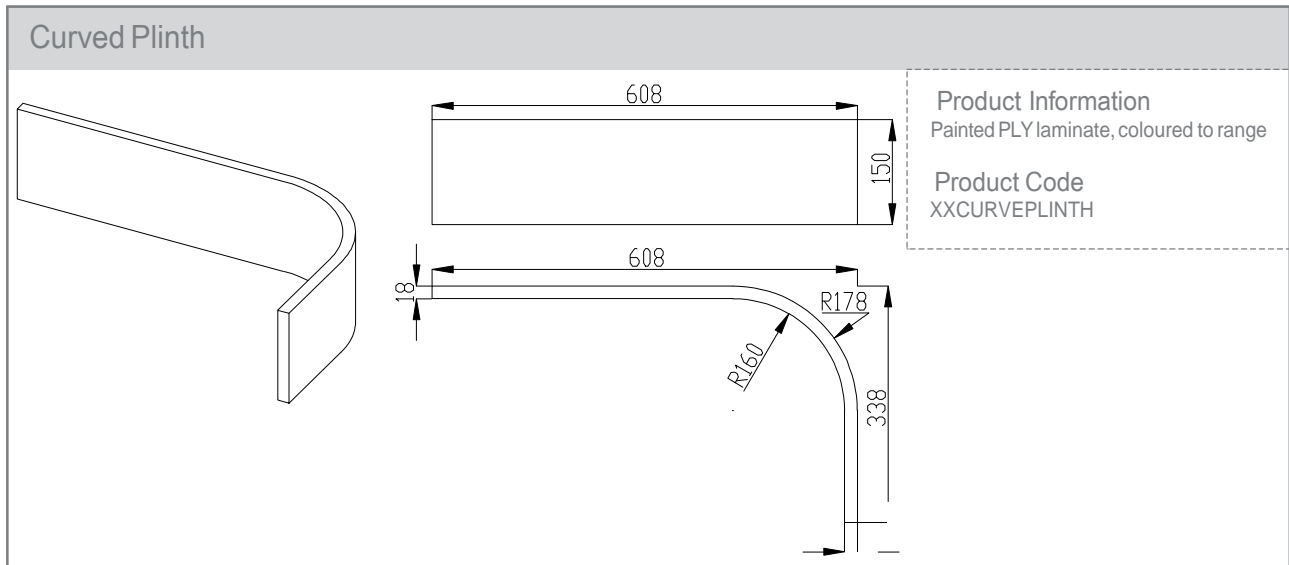
**Product Information**  
Painted PLY laminate, coloured to range

**Product Information**  
XXCURVECORNICE

Section Through A-A

# Contemporary Doors

## Reflections



# Contemporary Doors

## Vivo White

### Vivo White

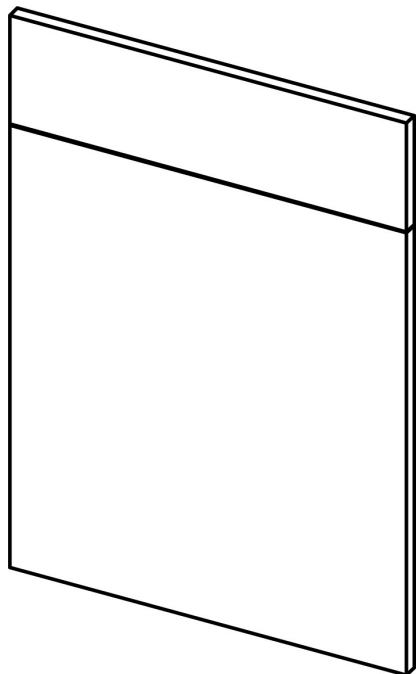
Contemporary or classic: the Vivo White door is a timeless design that can create any desired aesthetic. The use of pan drawers and curved doors provides a clean, sleek and exclusive look.



	<h4>Handle Suggestions</h4>  <p>Strap Bar Handle 75371</p>  <p>Block Handle 75V511</p>  <p>Sendoro 75130</p> <p><small>Handle shown on display Flat Ended T Bar Handle 75236</small></p>
<p>Suggested MFC Board Match Egger W1100</p>	

# Contemporary Doors

## Vivo White



### Product Information

Product Description	Slab door, no detailing
Product Colour	White
Product Finish	High gloss
Base Material	MDF
Base Thickness	19mm
Covering Material	Hard PET
Edging Material	Polypropylene
Edging Thickness	0.5mm
Edging Colour	High gloss white
Reverse Colour	White (matt finish)
Product Dimension	Standard door and drawer range

### Additional Information

End panels are edged all around.  
The 2400 x 900 panel is 12mm thick.

### Door & Accessory Descriptions

CODE	DESCRIPTION	CODE	DESCRIPTION	CODE	DESCRIPTION
3611059	110 X 596 VIVO WHITE	3657039	570 X 396 VIVO WHITE	36E78035	PANEL 780 X 350 X 19MM
3614029	140 X 296 VIVO WHITE	3657044	570 X 446 VIVO WHITE	36E90065	PANEL 900 X 650 X 19MM
3614039	140 X 396 VIVO WHITE	3657049	570 X 496 VIVO WHITE	36E240065	PANEL 2400 X 650 X 19MM
3614044	140 X 446 VIVO WHITE	3657059	570 X 596 VIVO WHITE	36E240090	PANEL 2400 X 900 X 12MM
3614049	140 X 496 VIVO WHITE	3671514	715 X 147 VIVO WHITE	36PLINTH	VIVO WHITE PLINTH 150MM X 3050MM
3614059	140 X 596 VIVO WHITE	3671525	715 X 256 VIVO WHITE	36CORNICESQ	VIVO WHITE SQ. CORNICE
3614079	140 X 796 VIVO WHITE	3671527	715 X 277 VIVO WHITE	36CURVE	VIVO WHITE CURVED DOOR
3614089	140 X 896 VIVO WHITE	3671529	715 X 296 VIVO WHITE	36CURVECORNICESQ	VIVO WHITE CURVED CORNICE
3614099	140 X 996 VIVO WHITE	3671531	715 X 313 VIVO WHITE	36CURVEPLINTH	VIVO WHITE CURVED PLINTH
3617539	175 X 396 VIVO WHITE	3671534	715 X 346 VIVO WHITE		
3617549	175 X 496 VIVO WHITE	3671539	715 X 396 VIVO WHITE		
3617559	175 X 596 VIVO WHITE	3671544	715 X 446 VIVO WHITE		
3628349	283 X 496 VIVO WHITE	3671549	715 X 496 VIVO WHITE		
3628359	283 X 596 VIVO WHITE	3671554	715 X 546 VIVO WHITE		
3628379	283 X 796 VIVO WHITE	3671559	715 X 596 VIVO WHITE		
3628389	283 X 896 VIVO WHITE	3689529	895 X 296 VIVO WHITE		
3628399	283 X 996 VIVO WHITE	3689539	895 X 396 VIVO WHITE		
3635549	355 X 496 VIVO WHITE	3689544	895 X 446 VIVO WHITE		
3635559	355 X 596 VIVO WHITE	3689549	895 X 496 VIVO WHITE		
3635579	355 X 796 VIVO WHITE	3689559	895 X 596 VIVO WHITE		
3635589	355 X 896 VIVO WHITE	3698059	980 X 596 VIVO WHITE		
3635599	355 X 996 VIVO WHITE	36124529	1245 X 296 VIVO WHITE		
3645059	450 X 596 VIVO WHITE	36124539	1245 X 396 VIVO WHITE		
3649059	490 X 596 VIVO WHITE	36124544	1245 X 446 VIVO WHITE		
3657029	570 X 296 VIVO WHITE	36124549	1245 X 496 VIVO WHITE		
		36124559	1245 X 596 VIVO WHITE		



# Contemporary Doors

## Vivo White

### Grain Direction - Solid Colours



Door Grain Direction

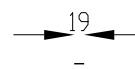
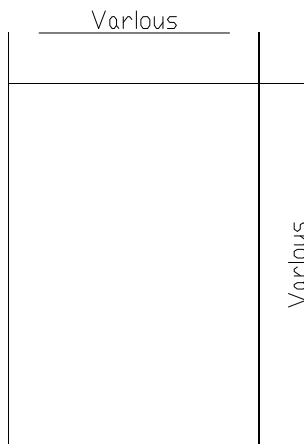
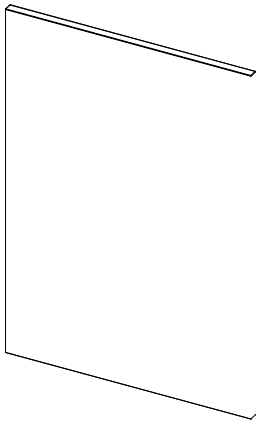


Drawer Grain Direction



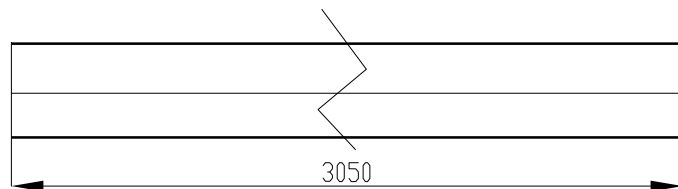
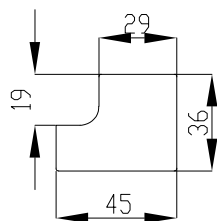
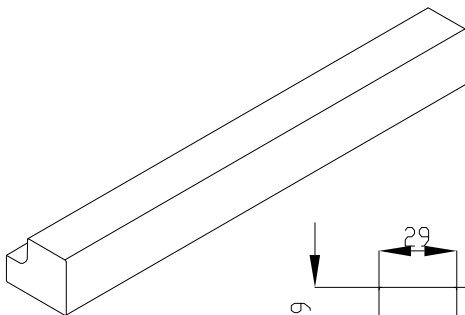
Panel Grain Direction

### Door / Drawer



**Product Information**  
Flat Bonded Hard PET on  
MDF

### Square End Straight Cornice / Pelmet



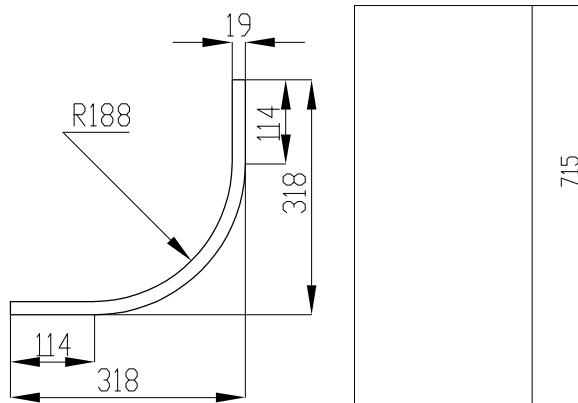
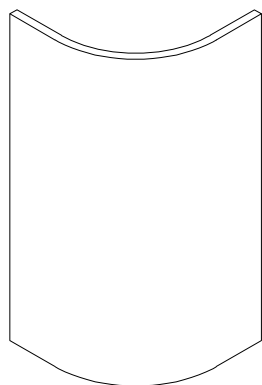
**Product Information**  
Wrapped Hard PET on MDF

**Product Code**  
36CORNICESQ

# Contemporary Doors

## Vivo White

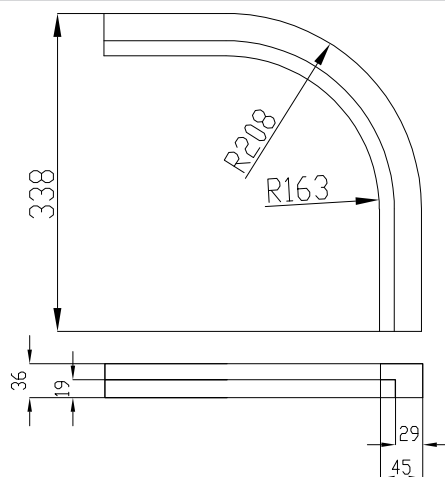
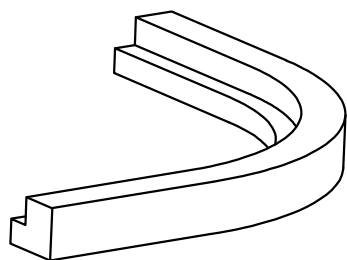
### Curved Door (External Curve)



**Product Information**  
 Wrapped Hard PET on MDF  
 Height of door: 715mm

**Product Information**  
 36CURVE

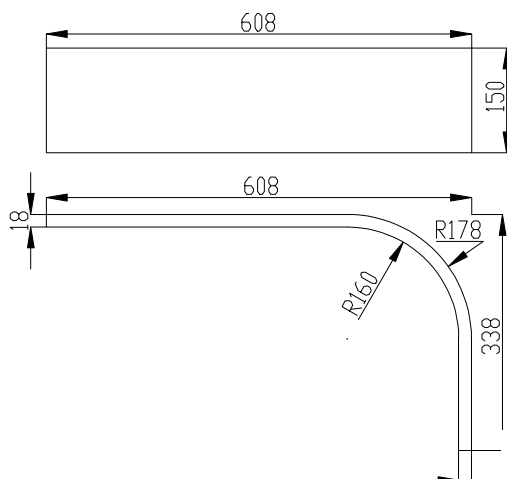
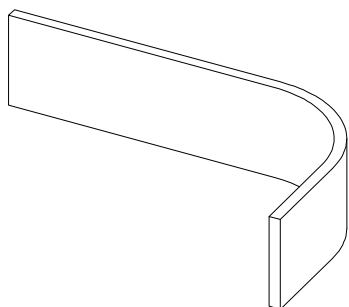
### Square End Curved Cornice / Pelmet (External Curve)



**Product Information**  
 Wrapped Hard PET on MDF

**Product Code**  
 36CURVECORNICESQ

### Curved Plinth (External Curve)



**Product Information**  
 Wrapped Hard PET on MDF

**Product Code**  
 36CURVEPLINTH

### Madison Wenge

A refreshingly different, new and exotic style – The Madison Wenge. Introducing a feeling of subdued, yet modern styling, with its textured finish it is perfectly at home in any interior; the epitome of chic and contemporary elegance.



Suggested MFC Board Match  
Egger H1478

#### Handle Suggestions



Bow Handle  
75240



Sangai  
75115



Letterbox Handle  
75252

Handle shown on display / door image  
Massiv Block End Handle 75471 / Strap Handle 75438 & 75439

# Contemporary Doors

## Madison

### Madison Cream Ash

The Madison Cream Ash door produces an inviting environment full of warmth and comfort. Its unusual and original textured finish lends an attractive and contemporary feel within any setting.



Suggested MFC Board Match  
N/A

#### Handle Suggestions



Strap Handle  
75V513



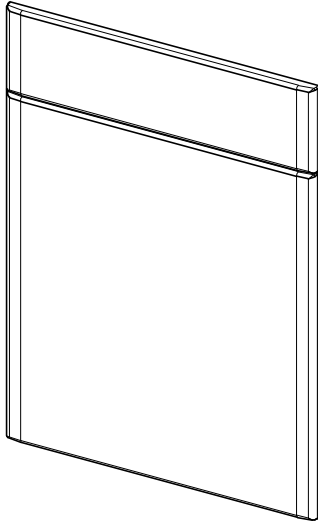
Block Handle  
75V501



Pico  
75160

Handle shown on display / door image  
Square Handle 7511 / Strap Handle 75438 & 75439

# Contemporary Doors Madison



## Product Information

Product Description	Slab door, vertical edges rounded
Product Colour	Wenge / Cream
Product Finish	Horizontal texture
Base Material	MDF
Base Thickness	18mm
Covering Material	Vinyl wrapped
Edging Colour	To match with face
Reverse Colour	Madison Wenge: to match with face Madison Cream Ash: white
Product Dimension	Reverse is smooth and not textured Standard door and drawer range

## Additional Information

Accessories are vinyl wrapped / faced  
 Frame and satin toughened glazed doors available  
 Information on fitters panels can be found at the end of the doors section  
 End panels are pressed all round  
 Fitters panels are edged 2 long

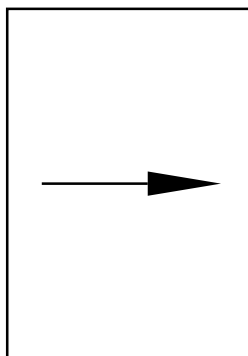
## Door & Accessory Descriptions

CODE	DESCRIPTION	CODE	DESCRIPTION	CODE	DESCRIPTION
XX11059	110 x 596	XX71529	715 x 296	XXMODERN	MODERN CORNICE / LIGHT RAIL
XX14029	140 x 296	XX71531	715 x 313	XXCORNICESQ	SQUARE END STRAIGHT
XX14039	140 x 396	XX71534	715 x 346		CORNICE / PELMET
XX14044	140 x 446	XX71539	715 x 396	XXE90065	END PANEL 900 x 650mm
XX14049	140 x 496	XX71544	715 x 445	XXE240065	END PANEL 2400 x 650mm
XX14059	140 x 596	XX71549	715 x 495	XXE78035	END PANEL 780 x 350mm
XX14079	140 x 796	XX71554	715 x 545***	XXPLINTH	PLINTH 150 x 2400mm
XX14089	140 x 896	XX71559	715 x 595	XXCURVE715	CURVED DOOR**
XX14099	140 x 996	XX89529	895 x 296	XXCURVECORNICESQ	SQUARE END CURVED
XX17539	175 x 396	XX89539	895 x 396		CORNICE / PELMET**
XX17549	175 x 496	XX89544	895 x 446**	XXCURVEPLINTH	CURVED PLINTH**
XX17559	175 x 596	XX89549	895 x 496		
XX28349	283 x 496	XX89559	895 x 596	**	Not available in Wenge
XX28359	283 x 596	XX98059	980 x 596	***	Not available in Cream Ash
XX28379	283 x 796	XX124529	1245 x 296	<b>Grain Direction</b>	
XX28389	283 x 896	XX124539	1245 x 396	All Frontals	Horizontal
XX28399	283 x 996	XX124544	1245 x 446**	All Panels	Vertical
XX35549	355 x 496	XX124549	1245 x 496	Profile	Horizontal
XX35559	355 x 596	XX124559	1245 x 596	When ordering please replace XX with the prefix code below	
XX35579	355 x 796	Glazed and Frames for Madison Wenge		Prefix 26 = Wenge	
XX35589	355 x 896	26F71549	715 x 496 FRAME	Prefix 28 = Cream Ash	
XX35599	355 x 996	26F106149	1061 x 496 FRAME	Example: 2611059 Madison Wenge 110 x 595mm	
XX45059	450 x 596	26G71539	715 x 396 SATIN GLAZED		
XX49059	490 x 596	26G71549	715 x 496 SATIN GLAZED		
XX57029	570 x 296	Glazed and Frames for Madison Cream Ash			
XX57039	570 x 396	28F71539	715 x 396 FRAME		
XX57044	570 x 446	28G71549	715 x 496 SATIN GLAZED		
XX57049	570 x 496				
XX57059	570 x 596				
XX71514	715 x 147				
XX71525	715 x 256**				
XX71527	715 x 277				

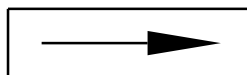
# Contemporary Doors

## Madison

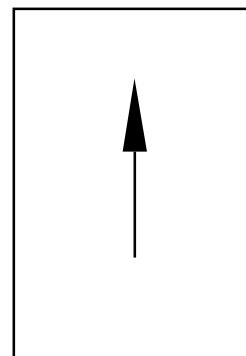
### Grain Direction



Door Grain Direction

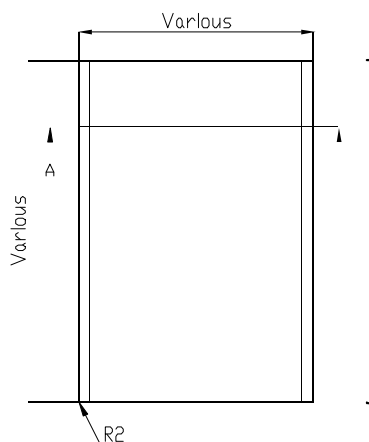
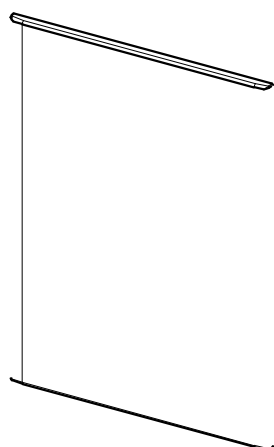


Drawer Grain Direction

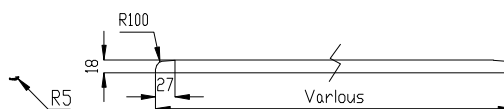


Panel Grain Direction

### Door

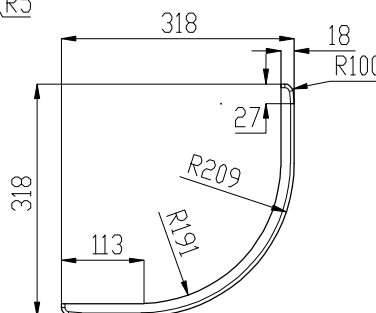
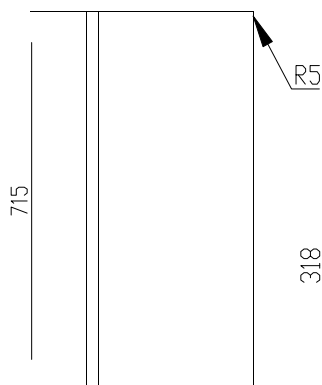
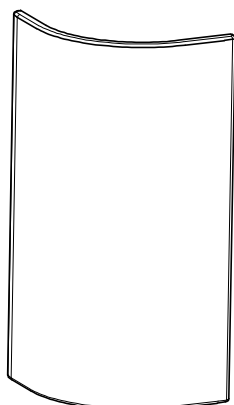


**Product Information**  
Slab door with vertical edges rounded. Top and bottom edges have a 5mm radius. Vinyl wrapped MDF.



Section Through A-A

### Curved Door



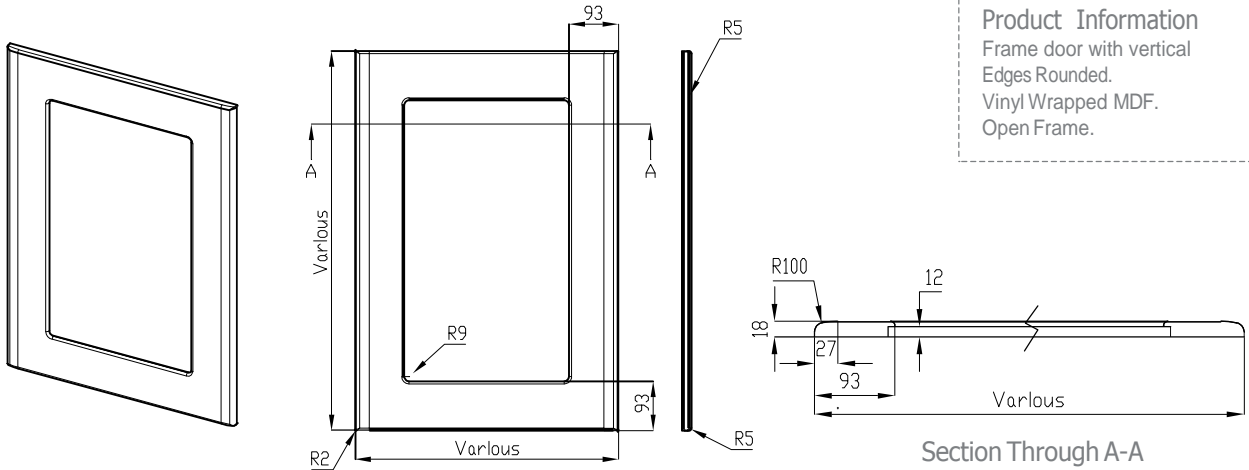
**Product Information**  
Membrane pressed PVC onto MDF. Height of door: 715mm. Please note that the reverse of the curved door is white.

Only available in Madison Cream Ash.

**Product Code**  
28CURVE715

# Contemporary Doors Madison

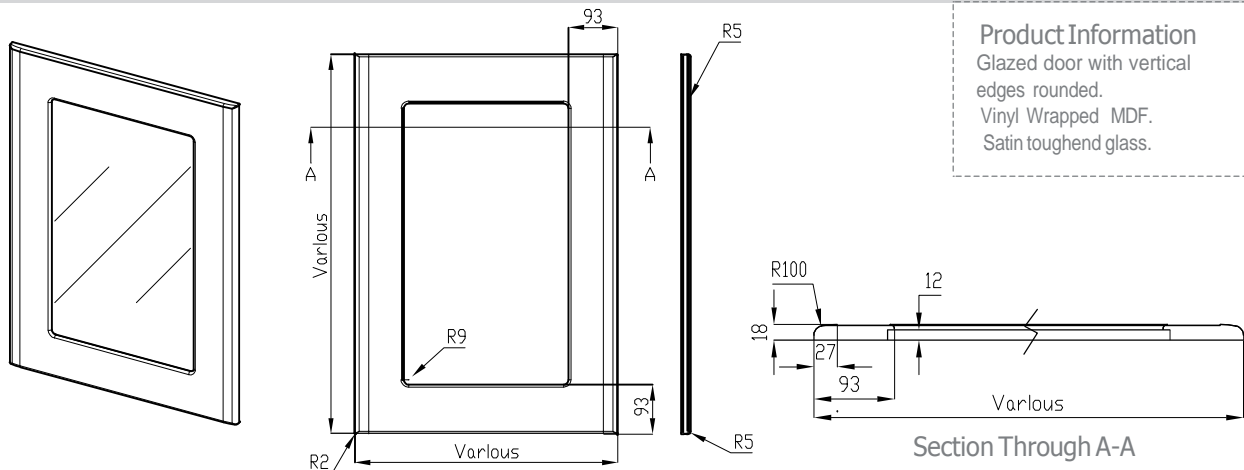
## Frame Door



**Product Information**  
 Frame door with vertical  
 Edges Rounded.  
 Vinyl Wrapped MDF.  
 Open Frame.

Section Through A-A

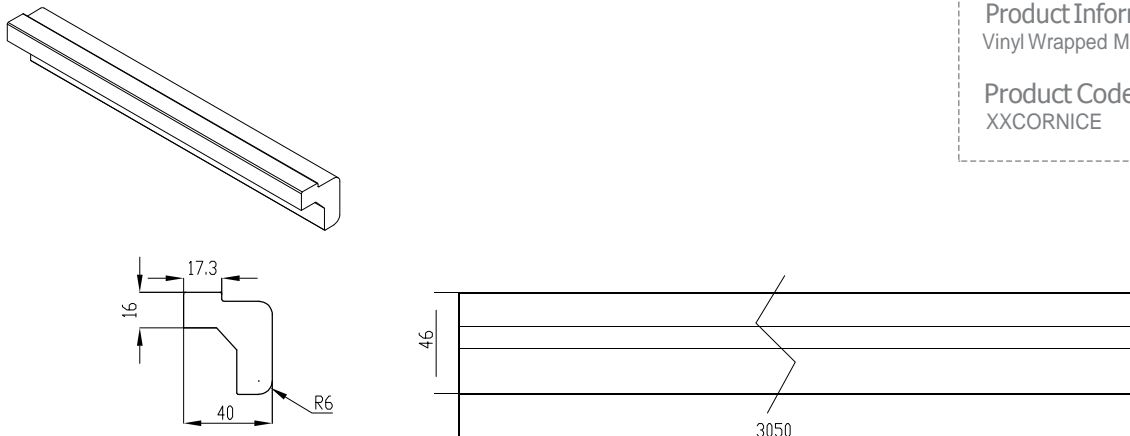
## Glazed Door



**Product Information**  
 Glazed door with vertical  
 edges rounded.  
 Vinyl Wrapped MDF.  
 Satin toughend glass.

Section Through A-A

## Modern Cornice / Light Rail



**Product Information**  
 Vinyl Wrapped MDF.

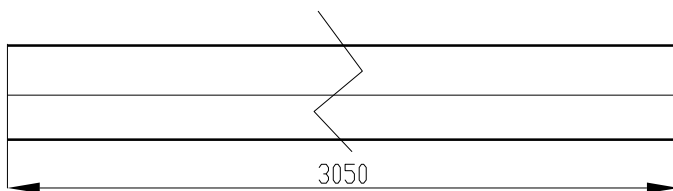
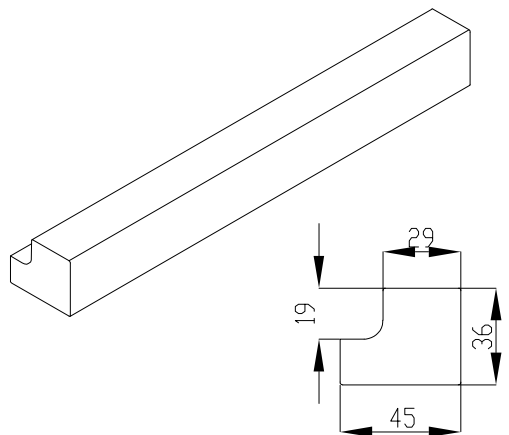
**Product Code**  
 XXCORNICE



# Contemporary Doors

## Madison

### Square End Straight Cornice / Pelmet



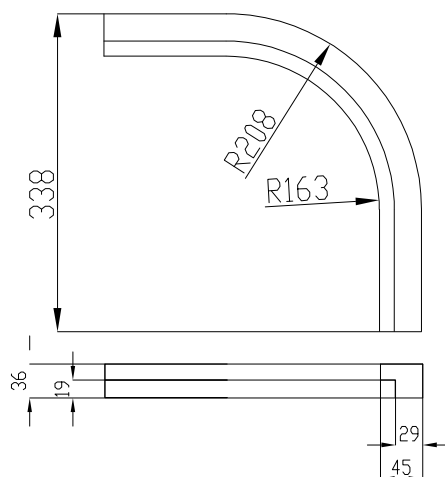
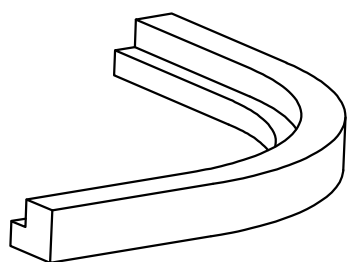
#### Product Information

Vinyl Wrapped MDF.  
For use with square end straight cornice / pelmet.

#### Product Code

XXCORNICESQ

### Straight End Curved Cornice / Pelmet



#### Product Information

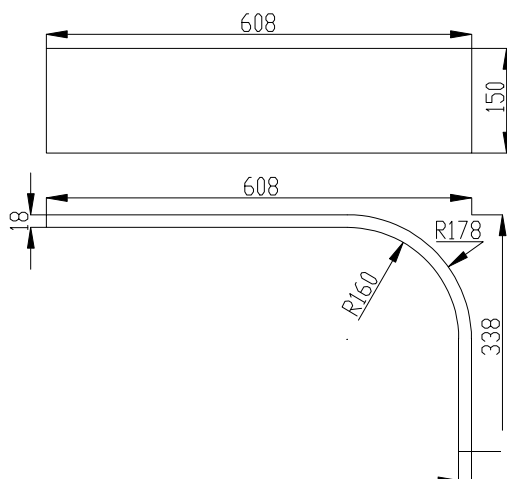
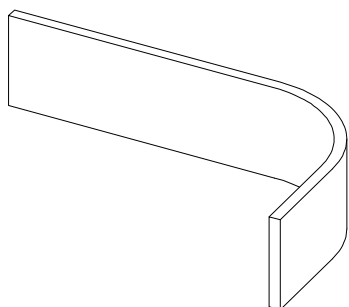
Vinyl Wrapped MDF.  
For use with square end straight cornice / pelmet.

Only available in Madison  
Cream Ash.

#### Product Code

28CURVECORNICESQ

### Curved Plinth



#### Product Information

Vinyl Wrapped MDF.

Only available in Madison  
Cream Ash.

#### Product Code

28CURVEPLINTH

# Contemporary Doors

## Alaska

### Alaska

With its stunning high gloss finish, Alaska brings a casual, contemporary feel to any room. Add to that the contrasting style of the steel bar handles to create a uniquely modern design.



Suggested MFC Board Match  
Egger W1000 / Finsa 030G

#### Handle Suggestions



Tapered  
Strap Handle  
75306



Pitted Knob  
75904

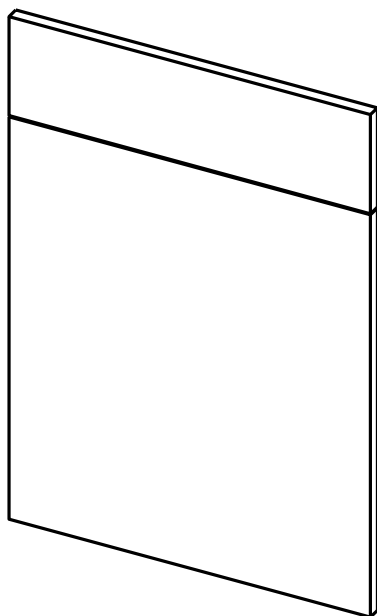


Bullet End T Bar  
75912

Handle shown on display  
is no longer available

# Contemporary Doors

## Alaska



### Product Information

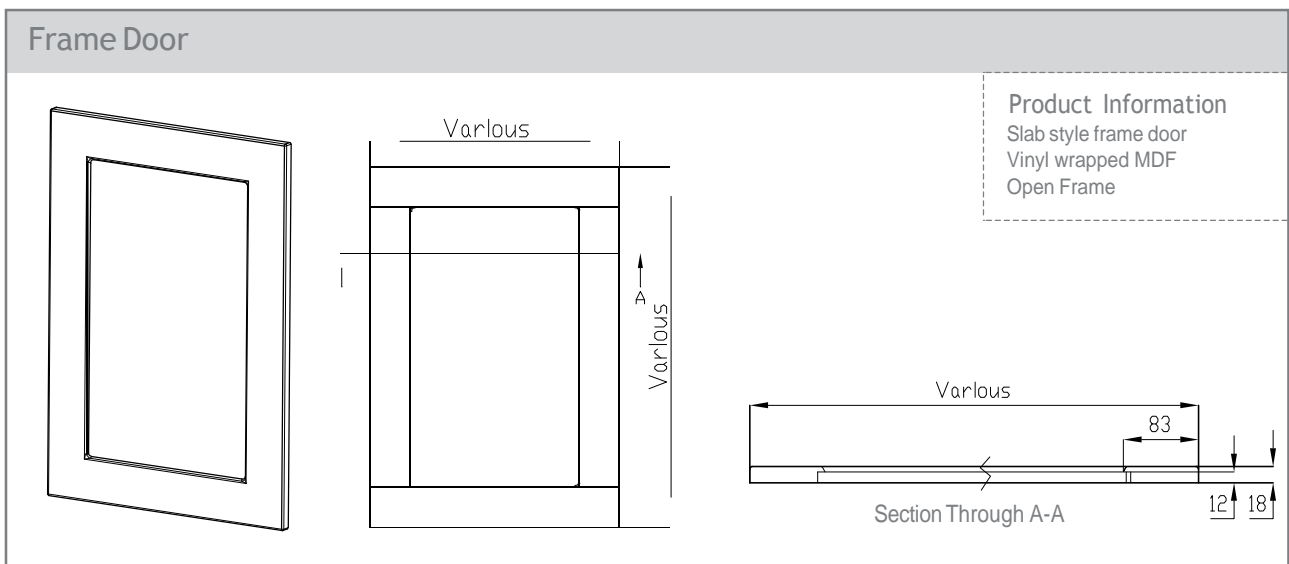
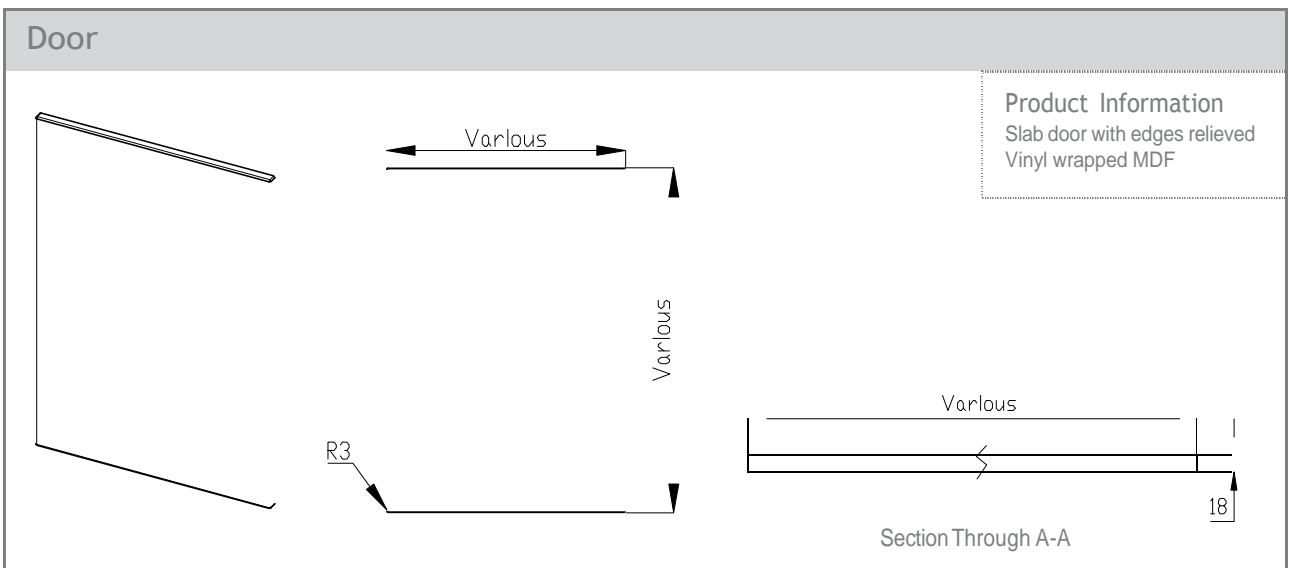
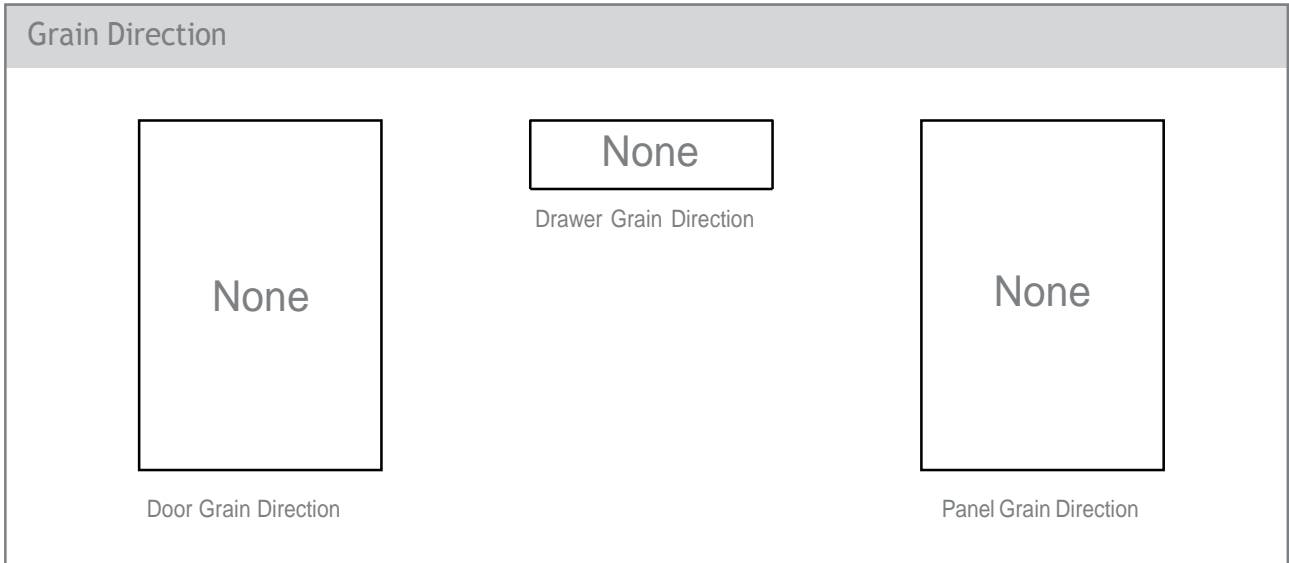
Product Description	Slab door with edges relieved
Product Colour	White
Product Finish	High gloss
Base Material	MDF
Base Thickness	18mm
Covering Material	Vinyl wrapped
Edging Colour	To match with face
Reverse Colour	To match with face
Product Dimension	Standard door and drawer range

### Additional Information

Accessories are vinyl wrapped  
 Frame and satin toughened glazed doors available  
 End panels are pressed all round  
 Fitters panels are edged 2 long  
 Information on fitters panels can be found at the end of the doors section

### Door & Accessory Descriptions

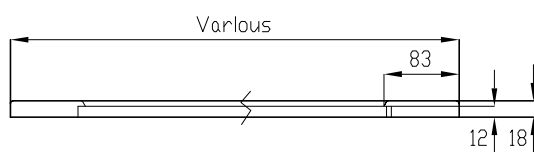
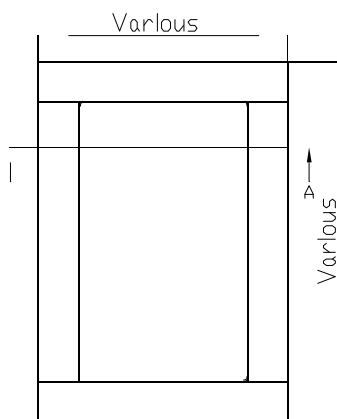
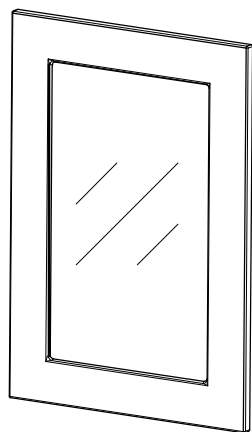
CODE	DESCRIPTION	CODE	DESCRIPTION	CODE	DESCRIPTION
4611059	110 x 596	4671529	715 x 296	46MODERN	HIGH GLOSS MODERN CORNICE
4614029	140 x 296	4671531	715 x 313	46E240065	2400 x 650 END PANEL
4614039	140 x 396	4671534	715 x 345	46E78035	780 x 350 END PANEL
4614044	140 x 446	4671539	715 x 396	46E90065	900 x 650 END PANEL
4614049	140 x 496	4671544	715 x 446	46PLINTH	PLINTH 150 x 2550mm
4614059	140 x 596	4671549	715 x 496		
4614079	140 x 796	4671559	715 x 596		
4614089	140 x 896	4689529	895 x 296		
4614099	140 x 996	4689539	895 x 396		
4617539	175 x 396	4689544	895 x 446		
4617549	175 x 496	4689549	895 x 496		
4617559	175 x 596	4689559	895 x 596		
4628349	283 x 496	4698059	980 x 596		
4628359	283 x 596	46124529	1245 x 296		
4628379	283 x 796	46124539	1245 x 396		
4628389	283 x 896	46124544	1245 x 446		
4628399	283 x 996	46124549	1245 x 496		
4635549	355 x 496	46124559	1245 x 596		
4635559	355 x 596	46F71539	715 x 396 FRAME		
4635579	355 x 796	46F71549	715 x 496 FRAME		
4635589	355 x 896	46F71559	715 x 596 FRAME		
4635599	355 x 996	46F89549	895 x 496 FRAME		
4645059	450 x 596	46G71539	715 x 396 SATIN GLAZED		
4649059	490 x 596	46G71549	715 x 496 SATIN GLAZED		
4657029	570 x 296	46G71559	715 x 596 SATIN GLAZED		
4657039	570 x 396	46G89549	895 x 496 SATIN GLAZED		
4657044	570 x 446				
4657049	570 x 496				
4657059	570 x 596				
4671515	715 x 147				
4671527	715 x 277				



# Contemporary Doors

## Alaska

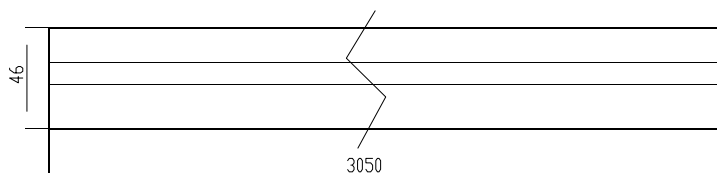
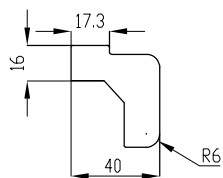
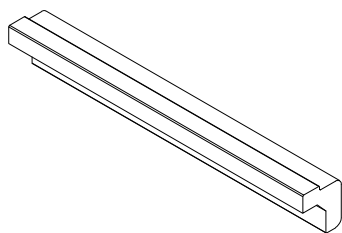
### Glazed Door



#### Product Information

Slab style frame door  
 Vinyl wrapped MDF  
 Satin toughened glass

### Modern Cornice / Light Rail

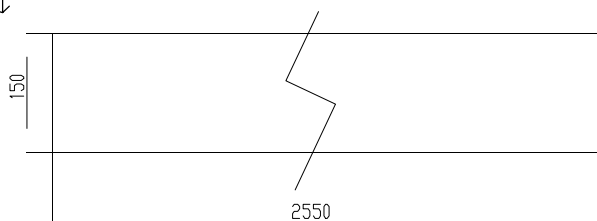
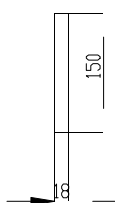
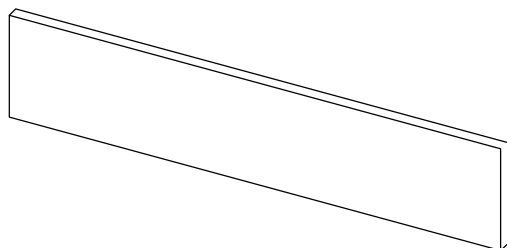


#### Product Information

Vinyl wrapped MDF

Product Code  
 46MODERN

### Plinth



#### Product Information

Vinyl faced chipboard

Product Code  
 46PLINTH

# Contemporary Doors

## High Gloss Cream

### High Gloss Cream

Contemporary doors in Cream high gloss, create a dramatic modern look in any kitchen. The 'Massiv' range of bar handles complement the design perfectly.



Suggested MFC Board Match  
Egger U108

#### Handle Suggestions



Square Cut  
Bar Handle  
75351



Square Bar Handle  
75361

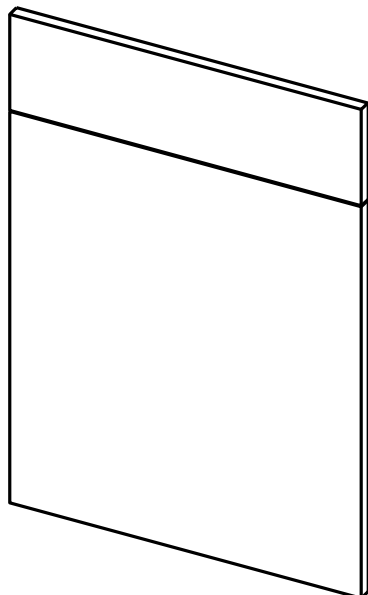


Flat T Bar  
75406

Handle shown on display  
Massiv Block End Handle 75474

# Contemporary Doors

## High Gloss Cream



### Product Information

Product Description	Slab door with edges relieved
Product Colour	Cream
Product Finish	High gloss
Base Material	MDF
Base Thickness	18mm
Covering Material	Vinyl wrapped
Edging Colour	To match with face
Reverse Colour	To match with face
Product Dimension	Standard door and drawer range

### Additional Information

Accessories are vinyl wrapped  
 No glazed doors available; open frame doors available for self glazing  
 End panels are pressed all round

### Door & Accessory Descriptions

CODE	DESCRIPTION	CODE	DESCRIPTION	CODE	DESCRIPTION
2011059	110 x 596	2057049	570 x 496	20END78035	END PANEL 780 x 350mm
2014029	140 x 296	2057059	570 x 596	20END90065	END PANEL 900 x 650mm
2014039	140 x 396	2071514	715 x 147	20END24065	END PANEL 2400 x 650mm
2014044	140 x 446	2071527	715 x 277	20MODERN	MODERN CORNICE / LIGHT RAIL
2014049	140 x 496	2071529	715 x 296	20PLINTH	PLINTH 150 x 2550mm
2014059	140 x 596	2071531	715 x 313		
2014079	140 x 796	2071534	715 x 346		
2014089	140 x 896	2071539	715 x 396		
2014099	140 x 996	2071544	715 x 446		
2017539	175 x 396	2071549	715 x 496		
2017549	175 x 496	2071559	715 x 596		
2017559	175 x 596	2089529	895 x 296		
2028349	283 x 496	2089539	895 x 396		
2028359	283 x 596	2089549	895 x 496		
2028379	283 x 796	2089559	895 x 596		
2028399	283 x 996	2098059	980 x 596		
2035549	355 x 496	20124529	1245 x 296		
2035559	355 x 596	20124539	1245 x 396		
2035579	355 x 796	20124549	1245 x 496		
2035599	355 x 996	20124559	1245 x 596		
2045059	450 x 596	20F71539	715 x 396 FRAME		
2049059	490 x 596	20F71549	715 x 496 FRAME		
2057029	570 x 296	20F71559	715 x 596 FRAME		
2057039	570 x 396	20F89549	895 x 496 FRAME		



# Contemporary Doors

## High Gloss Cream

**Grain Direction**

None

None

None

Door Grain Direction

Drawer Grain Direction

Panel Grain Direction

**Door**

Various

Various

R3

Various

18

Section Through A-A

**Product Information**  
Slab door with edges revealed  
Vinyl wrapped MDF

**Frame Door**

Various

Various

R3

Various

12

18

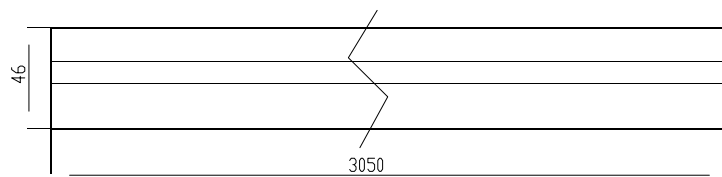
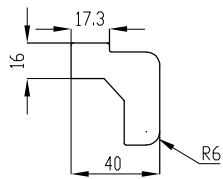
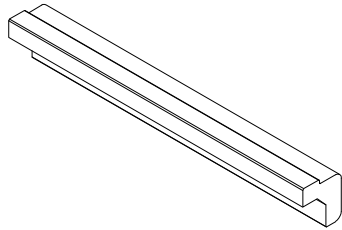
Section Through A-A

**Product Information**  
Slab style frame door  
Vinyl wrapped MDF  
Open Frame

# Contemporary Doors

## High Gloss Cream

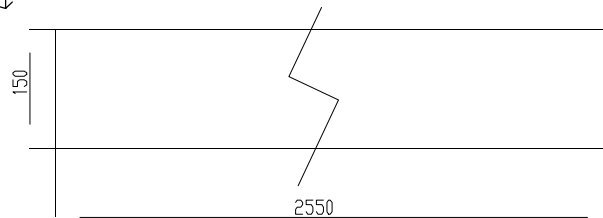
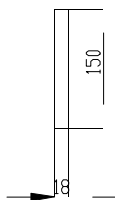
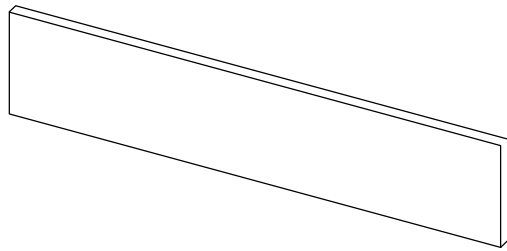
### Modern Cornice / Light Rail



Product Information  
Vinyl wrapped MDF

Product Code  
20MODERN

### Plinth



Product Information  
Vinyl faced chipboard

Product Code  
20PLINTH

# Classic & Traditional Doors

Whether you are looking for a classic shaker style or a traditional oak door, we have a huge range of doors and designs to suit your requirements.

# Classic & Traditional Doors

## Richmond

### Richmond

Timeless in its design, Richmond can be used to create any desired aesthetic from a contemporary to a classic kitchen. The warm and welcoming oak combined with its simple uncomplicated design make this a perfect choice for any environment.



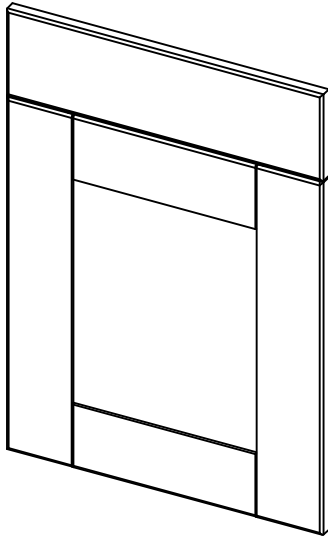
This door style is also available as a painted option. See the Richmond Hand Painted Doors page for further information.

		<h4>Handle Suggestions</h4>						
<p>Suggested MFC Board Match Egger H3368</p>		<table border="0"> <tr> <td data-bbox="1007 1525 1206 1630"> </td> <td data-bbox="1257 1547 1422 1630"> <p>Honeycomb Effect Square Handle 75391</p> </td> </tr> <tr> <td data-bbox="1007 1715 1206 1800"> </td> <td data-bbox="1362 1738 1422 1783"> <p>Lapac 75396</p> </td> </tr> <tr> <td data-bbox="1007 1872 1206 1966"> </td> <td data-bbox="1362 1895 1422 1939"> <p>Pico 75160</p> </td> </tr> </table>		<p>Honeycomb Effect Square Handle 75391</p>		<p>Lapac 75396</p>		<p>Pico 75160</p>
	<p>Honeycomb Effect Square Handle 75391</p>							
	<p>Lapac 75396</p>							
	<p>Pico 75160</p>							
<p>Handle shown on display / door image Convus Knob 75392 / Slim T Bar 75410</p>								

\* The Premium Timber stamp of approval applies to doors that are made from real wood or real wood veneers.

# Classic & Traditional Doors

## Richmond



### Product Information

Product Description	5pc door with flat centre panel & feature joints
Product Colour	Oak
Product Finish	Semi gloss
Base Material	Light oak timber veneer
Base Thickness	20mm
Covering Material	Lacquer
Edging Material	Lacquer
Edging Colour	To match with face
Reverse Colour	To match with face
Product Dimension	Standard door and drawer range

### Additional Information

5pc door with flat centre panel and feature joints  
 Accessories are solid timber/veneered and lacquered  
 2400mm tall end panels are edged 2 long; all other end panels are edged all round

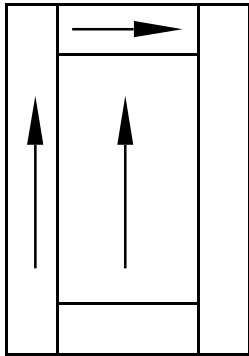
### Door & Accessory Descriptions

CODE	DESCRIPTION	CODE	DESCRIPTION	CODE	DESCRIPTION
2111059	110 x 596	2171529	715 x 296	21G89549	895 x 496 CLEAR GLAZED
2114029	140 x 296	2171531	715 x 313	21G89559	895 x 596 CLEAR GLAZED
2114039	140 x 396	2171534	715 x 346	21PILASTER	PILASTER
2114044	140 x 446	2171539	715 x 396	21PLATE570	PLATE RACK 570mm
2114049	140 x 496	2171544	715 x 446	21PLATE120	PLATE RACK 1200mm
2114059	140 x 596	2171549	715 x 496	21END780	END PANEL 780 x 350mm
2114079	140 x 796	2171559	715 x 596	21END900	END PANEL 900 x 600mm
2114089	140 x 896	2189529	895 x 296	21END2400	END PANEL 2400 x 600mm
2114099	140 x 996	2189539	895 x 396	21CORNICE	CORNICE
2117539	175 x 396	2189544	895 x 446	21CORNICESQ	SQ CORNICE
2117549	175 x 496	2189549	895 x 496	21PELMET	LIGHT RAIL
2117559	175 x 596	2189559	895 x 596	21CAN600	CANOPY 600 x 180 x 455mm
2128349	283 x 496	2198059	980 x 596	21CAN1000	CANOPY 1000 x 180 x 455mm
2128359	283 x 596	21124529	1245 x 296	21WINE300	WINE FASCIA 715 x 296mm
2128379	283 x 796	21124539	1245 x 396	21CURVE	CURVED DOOR
2128389	283 x 896	21124544	1245 x 446	21GCURVE	CURVED DOOR CLEAR GLAZED
2128399	283 x 996	21124549	1245 x 496	21CURVECORNICESQ	SQ CURVED CORNICE
2135549	355 x 496	21124559	1245 x 596	21CURVEPLINTH	CURVED PLINTH
2135559	355 x 596	21F35579	355 x 796 FRAME	21PLINTH	PLINTH 150 x 2440mm
2135579	355 x 796	21F35599	355 x 996 FRAME	21BOTTLE	BOTTLE RACK 1500mm
2135589	355 x 896	21F71539	715 x 396 FRAME		
2135599	355 x 996	21F71549	715 x 496 FRAME		
2145059	450 x 596	21F71559	715 x 596 FRAME		
2149059	490 x 596	21F89539	895 x 396 FRAME		
2157029	570 x 296	21F89549	895 x 496 FRAME		
2157039	570 x 396	21F89559	895 x 596 FRAME		
2157044	570 x 446	21G35579	355 x 796 CLEAR GLAZED		
2157049	570 x 496	21G35599	355 x 996 CLEAR GLAZED		
2157059	570 x 596	21G71539	715 x 396 CLEAR GLAZED		
2171514	715 x 147	21G71549	715 x 496 CLEAR GLAZED		
2171525	715 x 256	21G71559	715 x 596 CLEAR GLAZED		
2171527	715 x 277				

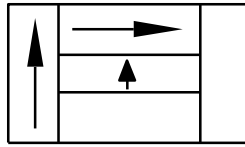
# Classic & Traditional Doors

## Richmond

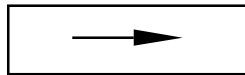
### Grain Direction



Door Grain Direction

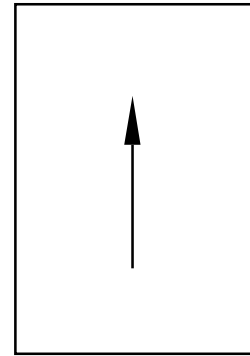


283 / 355mm



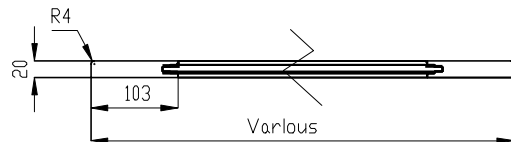
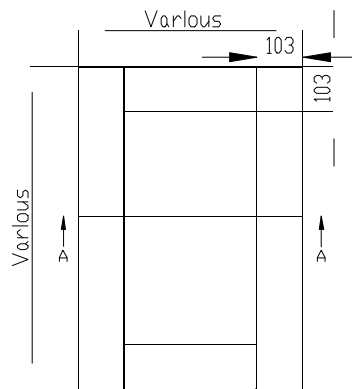
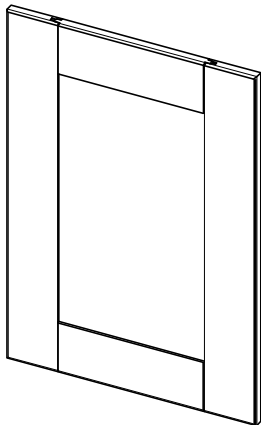
110 / 140 / 175mm

Drawer Grain Direction



Panel Grain Direction

### Door

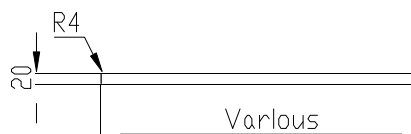
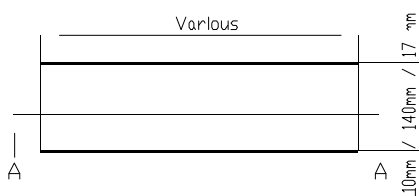
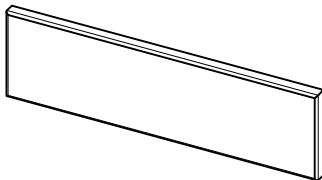


Section Through A-A

#### Product Information

5pc door with flat centre panel and feature joints  
Light oak timber veneer  
715 x 147 door is a slab door

### Drawer



Section Through A-A

#### Product Information

Drawer for 110 / 140 / 175mm tall drawers  
All other drawer heights are based on the door design  
Light oak timber veneer

# Classic & Traditional Doors

## Richmond

### Curved Door

**Product Information**  
 5 piece curved door  
 Light oak timber veneer

**Product Code**  
 21CURVE  
 (Light oak timber veneer centre)  
 21GCURVE  
 (Clear glazed centre)

Section Through A-A

### Frame Door

**Product Information**  
 Frame door  
 Light oak timber veneer  
 Open frame

Section Through A-A

### Glazed Frame Door

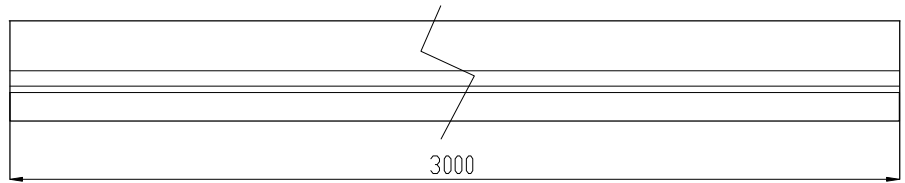
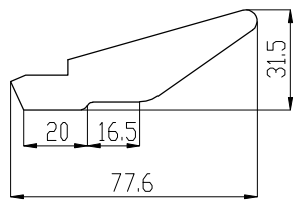
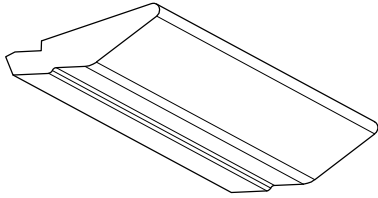
**Product Information**  
 Glazed door  
 Light oak timber veneer  
 Clear toughened glass

Section Through A-A

# Classic & Traditional Doors

## Richmond

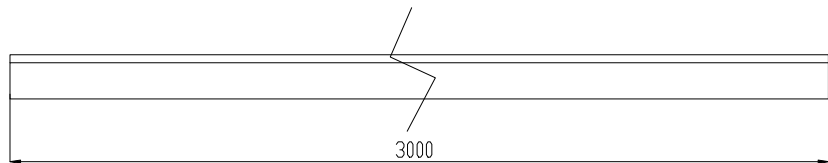
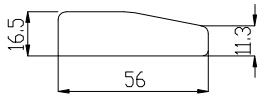
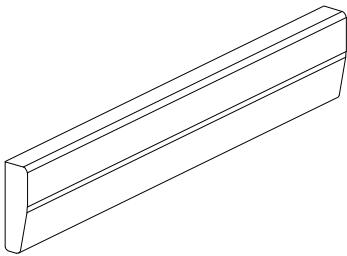
### Cornice



Product Information  
Light oak veneered MDF

Product Code  
21CORNICE

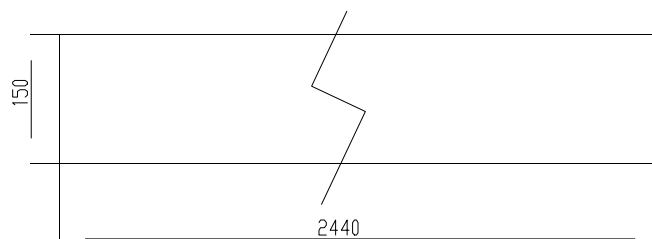
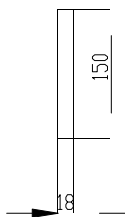
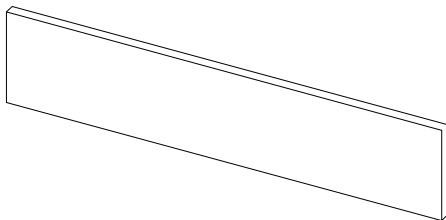
### Light Rail



Product Information  
Light oak veneered MDF

Product Code  
21PELMET

### Plinth

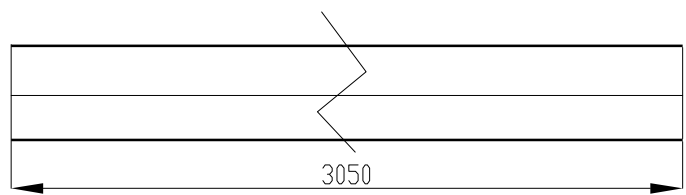
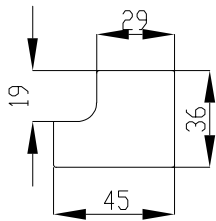
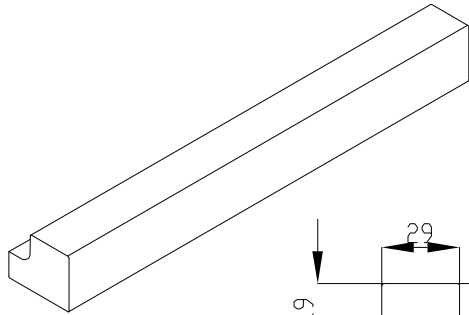


Product Information  
Light oak veneered chipboard

Product Code  
21PLINTH



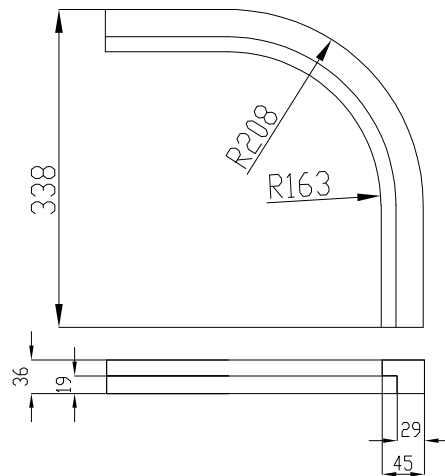
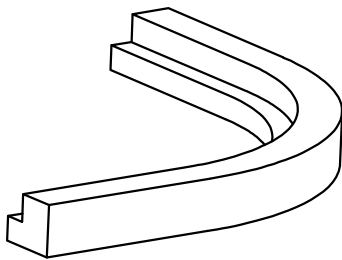
### Square End Straight Cornice / Pelmet



**Product Information**  
Light oak veneered PLY laminate

**Product Code**  
21CORNICESQ

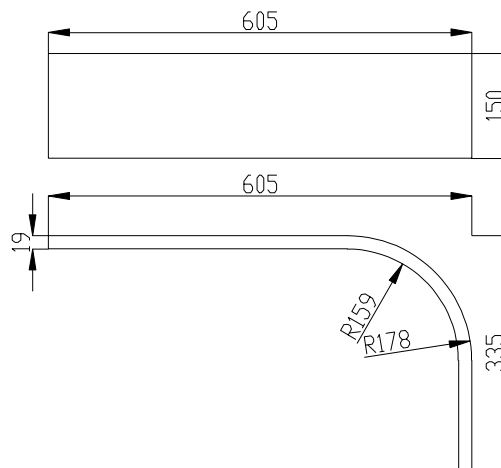
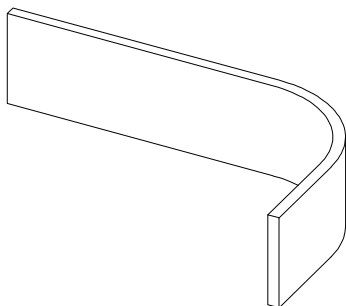
### Square End Curved Cornice / Pelmet



**Product Information**  
Light oak veneered PLY laminate

**Product Code**  
21CURVECORNICESQ

### Curved Plinth



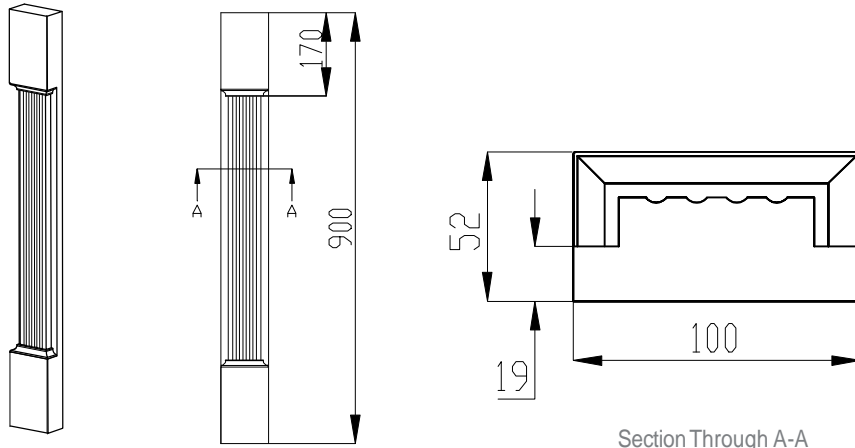
**Product Information**  
Light oak veneered PLY laminate

**Product Code**  
21CURVEPLINTH

# Classic & Traditional Doors

## Richmond

### Pilaster

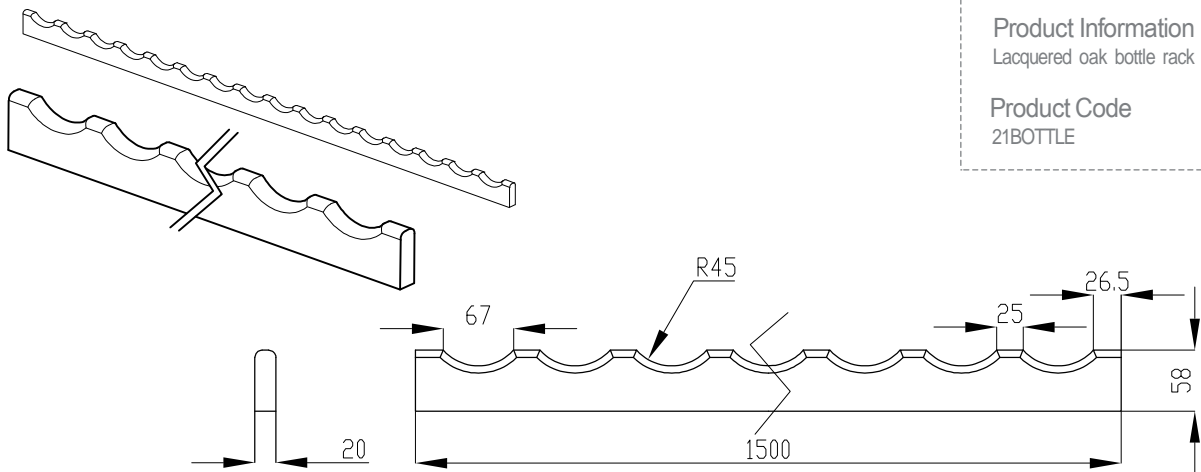


Product Information  
Lacquered oak pilaster

Product Code  
21PILASTER

Section Through A-A

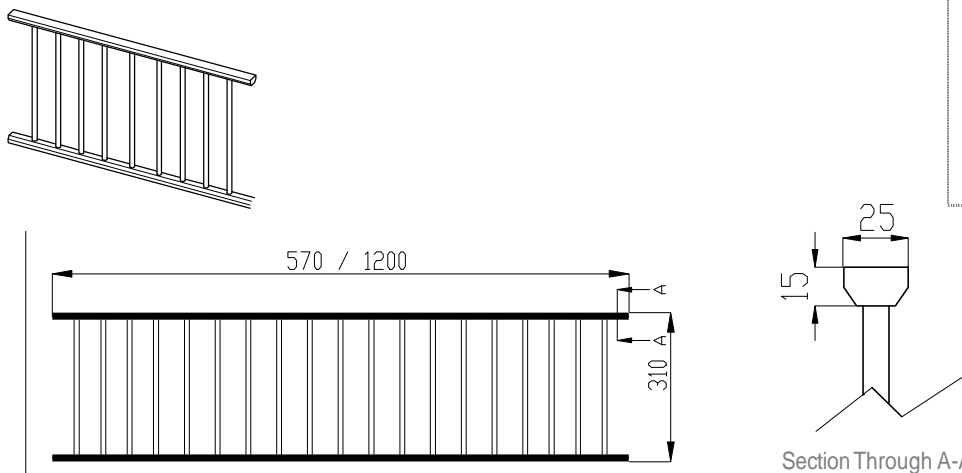
### Bottle Rack



Product Information  
Lacquered oak bottle rack

Product Code  
21BOTTLE

### Plate Rack



Product Information  
Lacquered oak plate rack

Product Code  
21PLATE570  
21PLATE120

Section Through A-A

# Classic & Traditional Doors

## Ohio

### Ohio Light Walnut

With its softer profile, this superbly styled alternative to traditional shaker doors brings an uncomplicated and soothing feeling to the home.

Ohio Light Walnut blends a finish of traditional character with a chic, contemporary design, perfectly.



Suggested MFC Board Match  
Egger H3703

#### Handle Suggestions



Bar Handle  
75415



Strap Handle  
75V509



Bar Handle  
75917

Handle shown on display / door image  
Wide D Handle 75375 /  
Massive Block End Handle Range

# Classic & Traditional Doors

## Ohio

### Ohio Cream

Finished with a softer profile than traditionally styled shaker doors, Ohio Cream creates a clean and classical appearance that exudes warmth.

The use of curved doors enables a naturally elegant environment to be created.



Suggested MFC Board Match  
Egger U104

#### Handle Suggestions



Flat End  
Bar Handle  
75427



Bow Handle  
75923



Ribbed Handle  
75382

Handle shown on displav / door image  
Bullet End T Bar Range /  
Steel T Bar Handle Range

# Classic & Traditional Doors

## Ohio

### Ohio Oak

Ohio Oak offers a superbly styled alternative to traditional shaker doors and with its softer profile, brings an uncomplicated yet dynamic aesthetic to the home. Ohio Oak introduces a commodious, airy feel to any environment.



Suggested MFC Board Match  
Egger H1334 / Kronospan D305

#### Handle Suggestions



Bow T Bar  
75214



Strap Handle  
75409



Slim T Bar  
75410

Handle shown on display / door image  
Block Handle 75V511 /  
Massive Block End Handle Range



# Classic & Traditional Doors

## Ohio

### Ohio Dark Walnut

This is the latest offering from this increasingly popular design, which is a superbly styled alternative to traditional shaker doors. With its softer profile, the Ohio Dark Walnut brings with it an uncomplicated and soothing feel to any area in which it is situated.



Suggested MFC Board Match  
Egger H3704

#### Handle Suggestions



Pitted Bar Handle  
75902A



Round End Bar Handle  
75V510

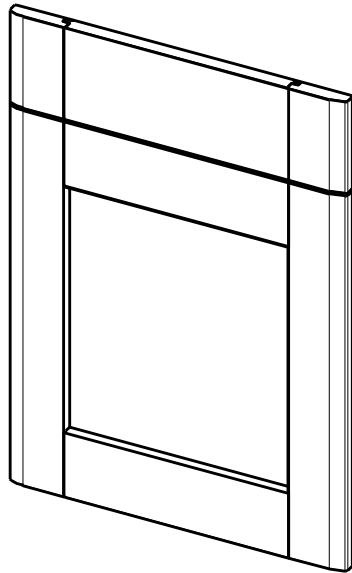


Block Handle  
7560

Handle shown on display / door image  
Block End Bar Handle / Massiv Block End Handle Range

# Classic & Traditional Doors

## Ohio



### Product Information

Product Description	5pc door with flat centre panel
Product Colour	Ohio range
Product Finish	Semi gloss
Base Material	MDF
Base Thickness	22mm
Covering Material	Vinyl wrapped
Edging Colour	To match with face
Reverse Colour	To match with face
Product Dimension	Standard door and drawer range

### Additional Information

5pc door with flat centre panel and rounded verticals  
 Accessories are vinyl wrapped / faced  
 All glazed doors have a satin toughened glass apart from Ohio Light Walnut which has pink tinted glass  
 Not all sizes are available in all four colours, please check before ordering  
 End panels are pressed all round  
 Fitters panels are edged 2 long  
 Information on fitters panels can be found at the end of the doors section

### Door & Accessory Descriptions

CODE	DESCRIPTION	CODE	DESCRIPTION	CODE	DESCRIPTION
XX11059	110 x 596	XX71527	715 x 277	XXG71549	715 x 496 GLAZED
XX14029	140 x 296	XX71529	715 x 295	XXG71559	715 x 596 GLAZED
XX14039	140 x 396	XX71531	715 x 313	XXG89549*	895 x 496 GLAZED
XX14044	140 x 446	XX71534	715 x 345	XXG89559*	895 x 596 GLAZED
XX14049	140 x 496	XX71539	715 x 396	XXCORNICE*	CORNICE
XX14059	140 x 596	XX71544	715 x 446	XXMODERN***	OHIO MODERN CORNICE
XX14079	140 x 796	XX71549	715 x 496	XXCORNICESQ*	SQUARE END STRAIGHT CORNICE / PELMET
XX14089	140 x 896	XX71559	715 x 596	XXPELMET*	LIGHT RAIL
XX14099	140 x 996	XX89529	895 x 296	XXPLINTH	PLINTH 150 x 2400mm
XX17539	175 x 396	XX89539	895 x 396	XXE240065**	END PANEL 2400 x 650mm
XX17549	175 x 496	XX89544	895 x 446	XXE78035****	END PANEL 780 x 350mm
XX17559	175 x 596	XX89549	895 x 496	XXE90065**	END PANEL 900 x 650mm
XX28349	283 x 496	XX89559	895 x 596	3029F	FITTERS PANEL 2400 x 610mm
XX28359	283 x 596	XX98059	980 x 596		OHIO DARK WALNUT
XX28379	283 x 796	XX124529	1245 x 296	3022F	FITTERS PANEL 2400 x 610mm
XX28389	283 x 896	XX124539	1245 x 396		OHIO LIGHT WALNUT
XX28399*	283 x 996	XX124544*	1245 x 446	3034F	FITTERS PANEL 2400 x 610mm OHIO CREAM
XX35549	355 x 496	XX124549	1245 x 496	3038F	FITTERS PANEL 2400 x 610mm OHIO OAK
XX35559	355 x 596	XX124559	1245 x 596	XXCURVE*	CURVED DOOR
XX35579	355 x 796	XXF35579**	355 x 796 FRAME	XXCURVECORNICESQ*	SQUARE END CURVED CORNICE / PELMET
XX35589	355 x 896	XXF35599	355 x 996 FRAME	XXCURVEPLINTH*	CURVED PLINTH
XX35599	355 x 996	XXF71539	715 x 396 FRAME		
XX45059	450 x 596	XXF71549	715 x 496 FRAME		
XX49059	490 x 596	XXF71559	715 x 596 FRAME		
XX57029	570 x 296	XXF89539	895 x 396 FRAME		
XX57039	570 x 396	XXF89549	895 x 496 FRAME		
XX57044	570 x 446	XXG35579	355 x 796 GLAZED		
XX57049	570 x 496	XXG35599	355 x 996 GLAZED		
XX57059	570 x 596	XXG71539	715 x 396 GLAZED		
XX71514	715 x 147				
XX71525*	715 x 256				

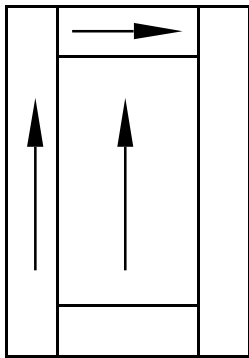
\* Not available in Ohio Dark Walnut  
 \*\* Not available in Ohio Oak  
 \*\*\* Only available in Dark Walnut  
 \*\*\*\* Not available in Ohio Dark Walnut or Ohio Oak  
 When ordering please replace **XX** with the prefix code below  
 Prefix 22 = Light Walnut  
 Prefix 29 = Dark Walnut  
 Prefix 34 = Cream  
 Prefix 38 = Oak  
 Example: 2211059 Ohio Light Walnut 110 x 595mm

Not all sizes are available in all four colours, please check before ordering

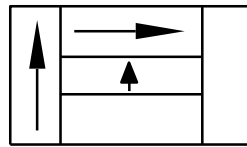
# Classic & Traditional Doors

## Ohio

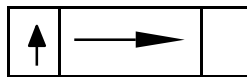
Grain Direction (Light Walnut / Dark Walnut / Oak) - No Grain for Ohio Cream



Door Grain Direction

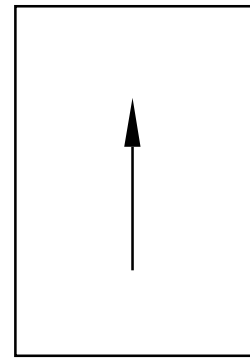


283 / 355mm



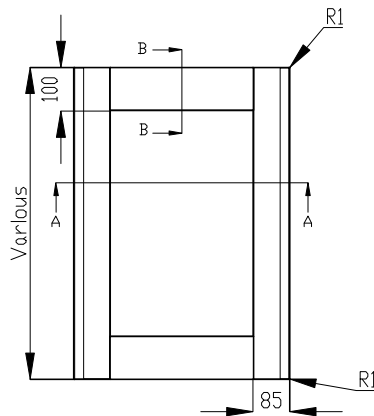
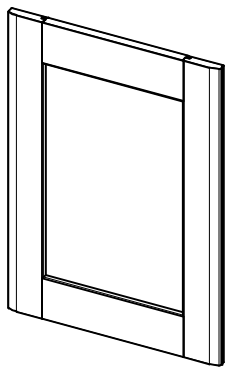
110 / 140 / 175mm

Drawer Grain Direction



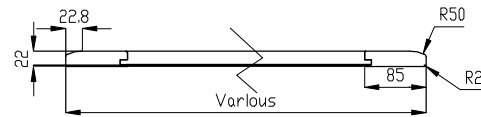
Panel Grain Direction

### Door

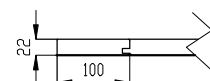


#### Product Information

5pc door with flat centre panel and rounded verticals.  
Vinyl wrapped MDF.  
715 x 147 is a slab door.

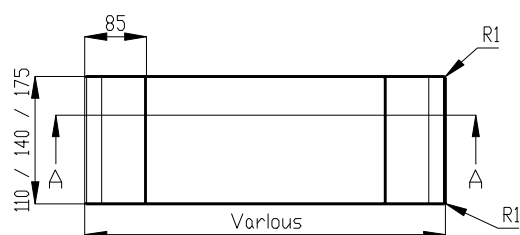
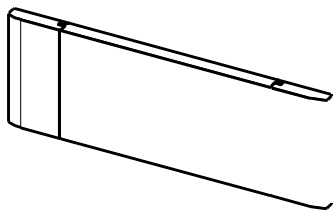


Section Through A-A



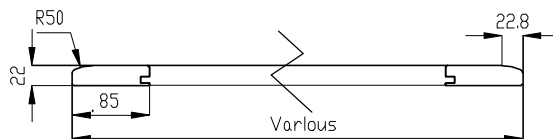
Section Through B-B

### Drawer



#### Product Information

Drawer with rounded verticals.  
Drawer for 110 / 140 / 175mm tall drawers.  
All other drawer heights are based on the door design.  
Vinyl wrapped MDF.



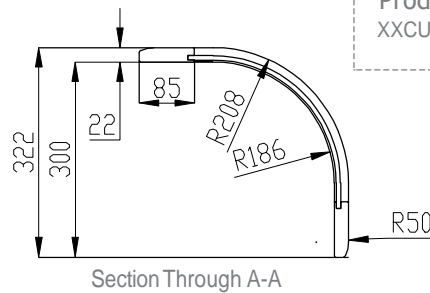
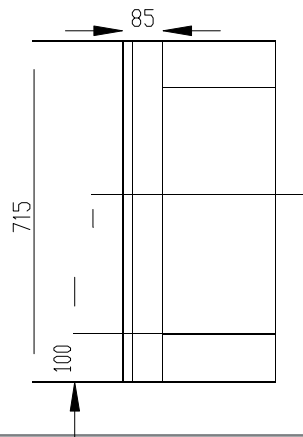
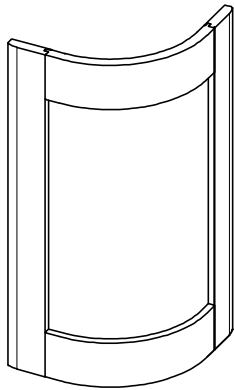
Section Through A-A



# Classic & Traditional Doors

## Ohio

### Curved Door

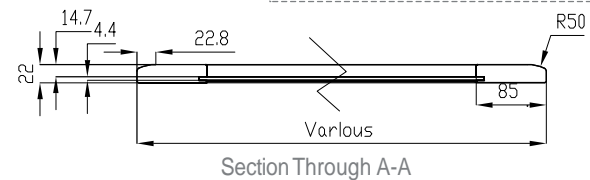
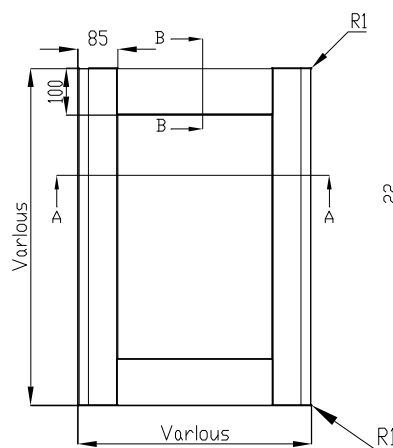
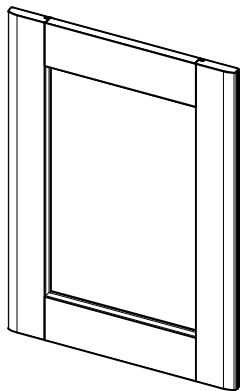


**Product Information**  
 5pc curved door  
 Vinyl Wrapped MDF  
 Note: This product is not available in Dark Walnut

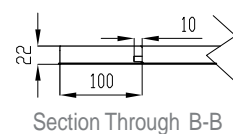
**Product Code**  
 XXCURVE

Section Through A-A

### Frame Door



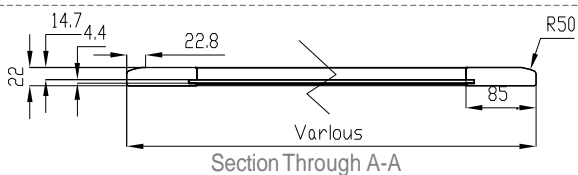
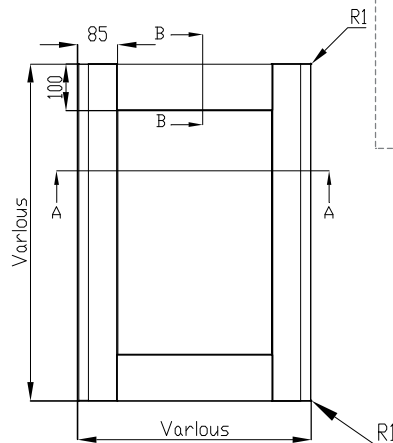
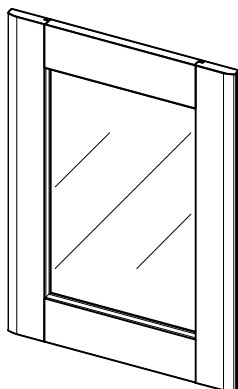
Section Through A-A



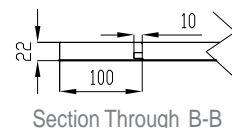
Section Through B-B

**Product Information**  
 Frame door with rounded verticals  
 Vinyl Wrapped MDF  
 Open frame

### Glazed Frame Door



Section Through A-A



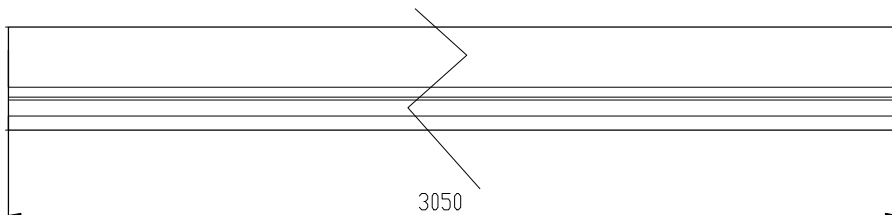
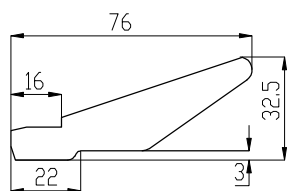
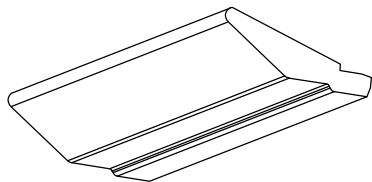
Section Through B-B

**Product Information**  
 Glazed door with rounded verticals  
 Vinyl wrapped MDF  
 Satin toughened glass (Ohio Dark Walnut / Ohio Cream / Ohio Oak)  
 Pink toughened glass (Ohio Light Walnut)

# Classic & Traditional Doors

## Ohio

### Cornice



#### Product Information

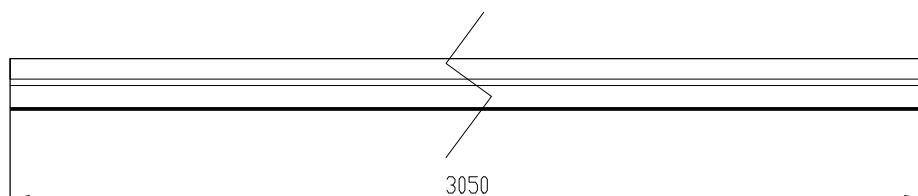
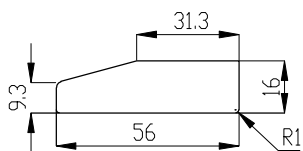
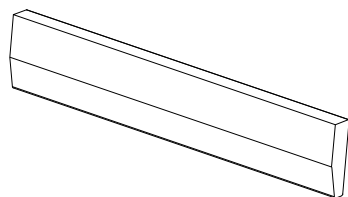
Vinyl Wrapped MDF

Note: This product is not available in Dark Walnut

#### Product Code

XXCORNICE

### Light Rail



#### Product Information

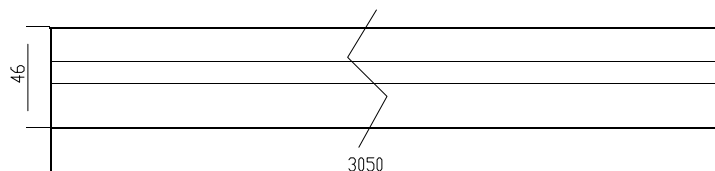
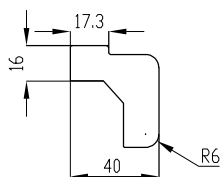
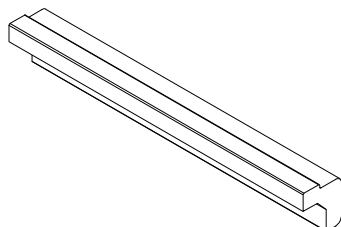
Vinyl Wrapped MDF

Note: This product is not available in Dark Walnut

#### Product Code

XXPELMET

### Modern Cornice / Light Rail



#### Product Information

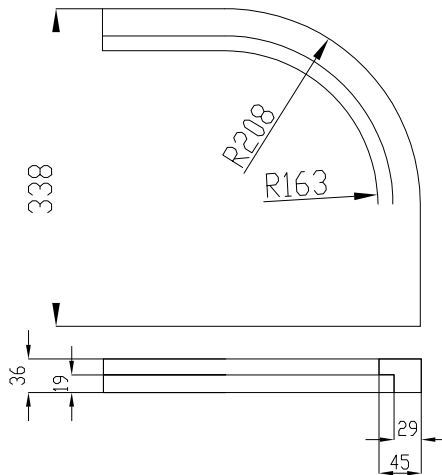
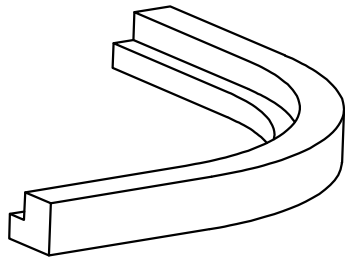
Vinyl wrapped MDF

Note: This product is only available in Dark Walnut

#### Product Code

XXMODERN

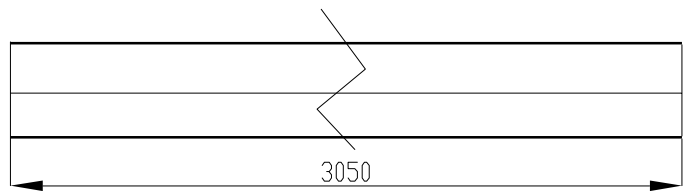
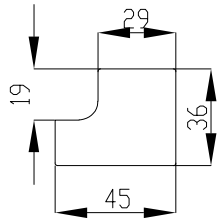
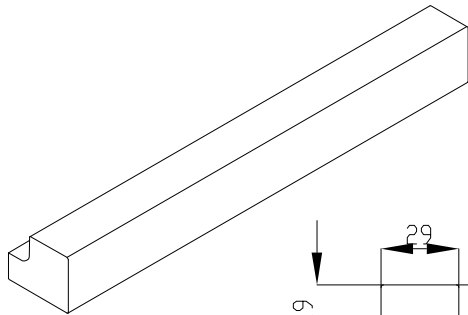
### Square End Curved Cornice / Pelmet



**Product Information**  
 Vinyl Wrapped MDF  
 For use with square end straight cornice / pelmet  
 Note: This product is not available in Dark Walnut

**Product Code**  
 XXCURVECORNICESQ

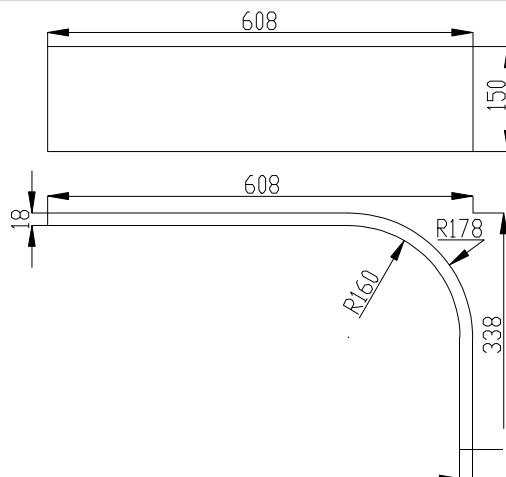
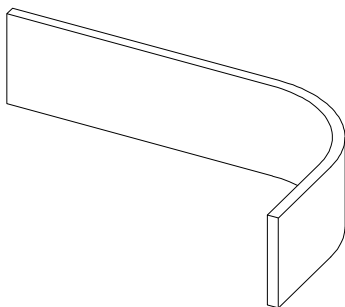
### Square End Straight Cornice / Pelmet



**Product Information**  
 Vinyl Wrapped MDF  
 For use with square end curved cornice / pelmet  
 Note: This product is not available in Dark Walnut

**Product Code**  
 XXCORNICESQ

### Curved Plinth



**Product Information**  
 Membrane pressed PVC onto MDF

**Product Code**  
 XXCURVEPLINTH

# Classic & Traditional Doors

## Cartmel Ivory

### Cartmel Ivory

A perfect example of classic and contemporary working together to create the beautiful Cartmel door. Its modern look with classic characteristics provide a clean and neutral living space, which can be perfectly matched with a variety of accessories to bring depth and texture to your new kitchen.

The Cartmel Ivory door is perfect for all those wanting to create a clean and timeless look.



This door style is also available as a painted option. See the Cartmel Hand Painted Doors page for further information.

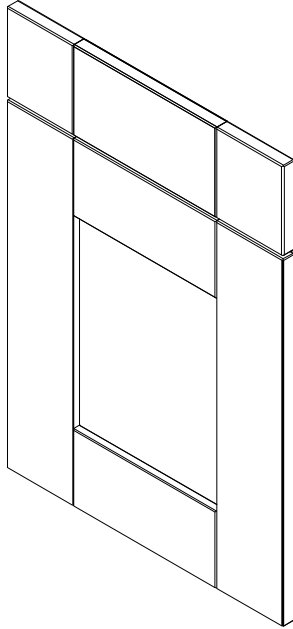


Cartmel Ivory

	<h4>Handle Suggestions</h4> <div style="display: flex; align-items: center; margin-bottom: 10px;">  <div style="margin-left: 20px;"> <p>Metis 75181</p> </div> </div> <div style="display: flex; align-items: center; margin-bottom: 10px;">  <div style="margin-left: 20px;"> <p>Lapac 75396</p> </div> </div> <div style="display: flex; align-items: center;">  <div style="margin-left: 20px;"> <p>Convus Handle 75393</p> </div> </div> <p style="font-size: small; text-align: right;">Handle shown on displav / door image Bow T Bar Handle 75256</p>
<p>Suggested MFC Board Match Egger U104</p>	

# Classic & Traditional Doors

## Cartmel Ivory



### Product Information

Product Description	5 piece shaker door with flat centre panel & feature joints (Foil door)
Product Colour	Ivory
Product Finish	Matt finish with an Ash Woodgrain Structure
Base Material	MDF
Base Thickness	22mm (End panels are 18mm)
Covering Material	Alkorcell Foil
Edging Material	Foil wrapped / PVC edge
Edging Thickness	1.5mm on top and base of door
Edging Colour	To match with face
Reverse Colour	To match with face
Product Dimension	Standard door and drawer range

### Additional Information

Please note that Cartmel Ivory is available from stock and this is a foil wrapped door. Cartmel Ivory is NOT hand painted like the 'Cartmel Hand Painted' range which is also available. Please see the 'Cartmel Hand Painted' door section for more information.

Plain end panels have a visible grain structure on both sides. T&G end panels are T&G (with visible grain structure) on one side and plain (with visible grain structure) on the reverse. End panels are edged all round. The grain direction is along the longest length

### Door & Accessory Descriptions

CODE	DESCRIPTION	CODE	DESCRIPTION	CODE	DESCRIPTION
8011059	110 X 596 OVEN FILLER	8071525	715 X 256 DOOR	80CURVECORNICESQ	SQUARE END CURVED CORNICE
8014029	140 X 296 DOOR	8071527	715 X 273 DOOR	80CORNICE	TANGENT CORNICE
8014039	140 X 396 DOOR	8071529	715 X 296 DOOR	80PELMET	TANGENT PELMET
8014044	140 X 446 DOOR	8071531	715 X 313 DOOR	80PLINTH	PLINTH 150 X 3050mm
8014049	140 X 496 DOOR	8071534	715 X 346 DOOR	80CURVEPLINTH	CURVED PLINTH
8014059	140 X 596 DOOR	8071539	715 X 396 DOOR	80END830350	END PANEL 830 X 350 X 18mm
8014079	140 X 796 DOOR	8071544	715 X 446 DOOR	80END900650	END PANEL 900 X 650 X 18mm
8014089	140 X 896 DOOR	8071549	715 X 496 DOOR	80END2400650	END PANEL 2400 X 650 X 18mm
8014099	140 X 996 DOOR	8071554	715 X 546 DOOR	80END2400900	END PANEL 2400 X 900 X 18mm**
8017539	175 X 396 DOOR	8071559	715 X 596 DOOR	80END2400650TG	END PANEL T&G 2400 X 650 X 18mm
8017549	175 X 496 DOOR	8089529	895 X 296 DOOR		
8017559	175 X 596 DOOR	8089539	895 X 396 DOOR		
8028349	283 X 496 DOOR	8089544	895 X 446 DOOR		
8028359	283 X 596 DOOR	8089549	895 X 496 DOOR		
8028379	283 X 796 DOOR	8089559	895 X 596 DOOR		
8028389	283 X 896 DOOR	8098059	980 X 596 DOOR		
8028399	283 X 996 DOOR	80124529	1245 X 296 DOOR		
8035549	355 X 496 DOOR	80124539	1245 X 396 DOOR		
8035559	355 X 596 DOOR	80124549	1245 X 496 DOOR		
8035579	355 X 796 DOOR	80124559	1245 X 596 DOOR		
8035589	355 X 896 DOOR	80F71539	715 X 396 FRAME		
8035599	355 X 996 DOOR	80F71549	715 X 496 FRAME		
8045059	450 X 596 DOOR	80F71559	715 X 596 FRAME		
8049059	490 X 596 DOOR	80F89549	895 X 496 FRAME		
8057029	570 X 296 DOOR	80G71539	715 X 396 SATIN GLAZED		
8057039	570 X 396 DOOR	80G71549	715 X 496 SATIN GLAZED		
8057044	570 X 446 DOOR	80G71559	715 X 596 SATIN GLAZED		
8057049	570 X 496 DOOR	80G89549	895 X 496 SATIN GLAZED		
8057059	570 X 596 DOOR	80CURVE	CURVED DOOR (EXTERNAL)*		
8071514	715 X 146 DOOR	80CORNICESQ	SQUARE END STRAIGHT CORNICE		

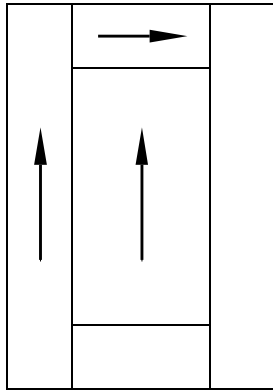
\*The Cartmel Curved door has a different radius to the standard TK Stock curved doors. A curved carcass for the Cartmel curved door can be purchased. Code: XXRADIUSCART

\*\*The grain direction for this panel is along the 2400mm length

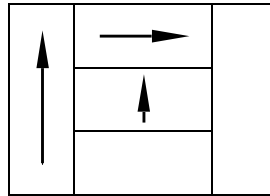
# Classic & Traditional Doors

## Cartmel Ivory

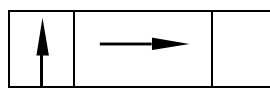
### Grain Direction



Door Grain Direction

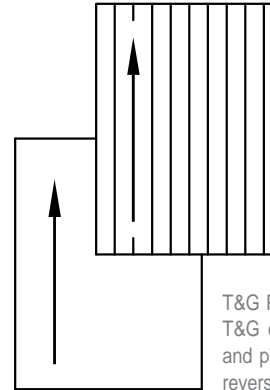


283 / 355mm



110 / 140 / 175mm

Drawer Grain Direction

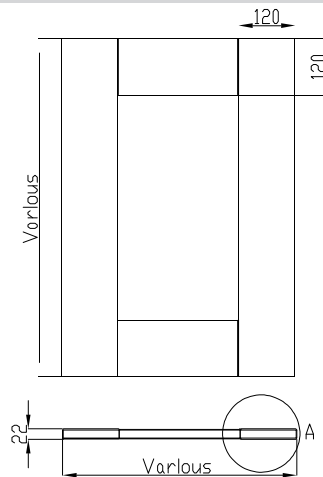
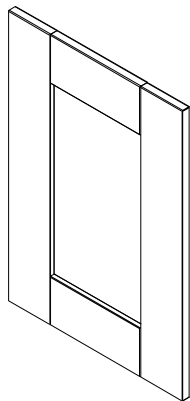


T&G Panel  
only available  
in size 2400  
x 650mm

T&G Panels are  
T&G on one side  
and plain on the  
reverse

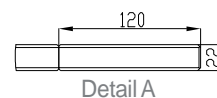
Panel Grain Direction

### Door



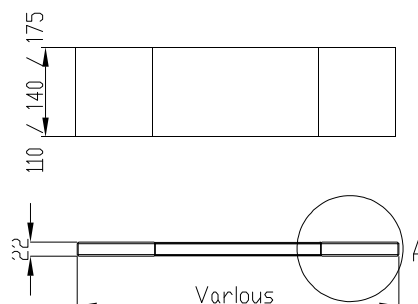
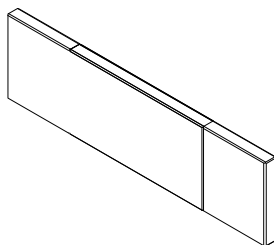
#### Product Information

5 piece shaker door with flat centre panel & feature joints  
Foil wrapped door  
715 x 147 door is a slab door (vertical grain direction)



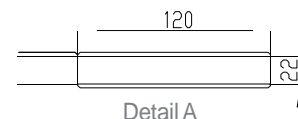
Detail A

### Drawer



#### Product Information

3 piece drawer for 110 / 140 / 175mm tall drawers  
All other drawer heights are based on the door design  
Foil wrapped drawer

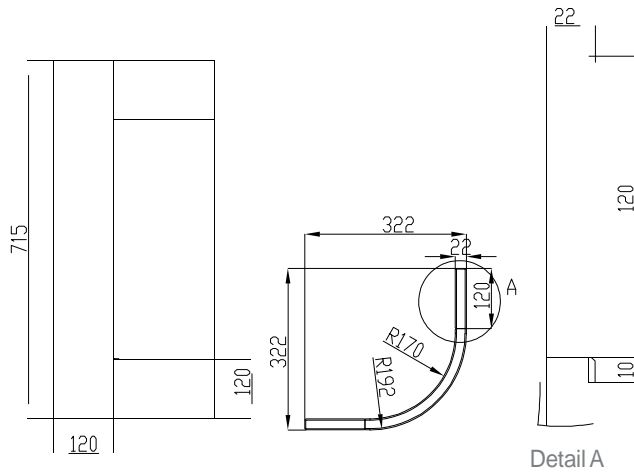
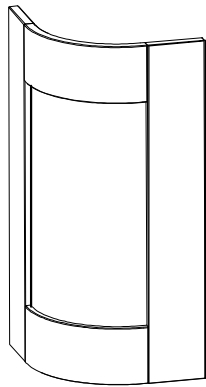


Detail A

# Classic & Traditional Doors

## Cartmel Ivory

### Curved Door



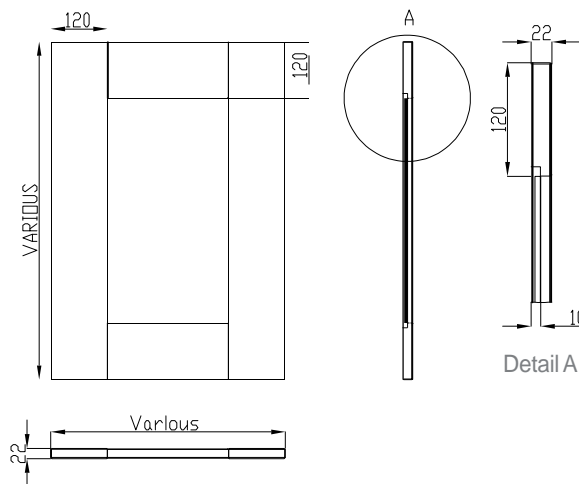
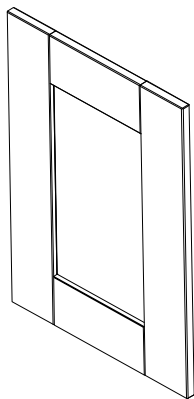
**Product Information**  
5pc piece curved door.  
Foil wrapped

**Product Code**  
80CURVE

Curved carcass available for  
Cartmel:  
CODE: XXRADIUSCART

Detail A

### Frame Door

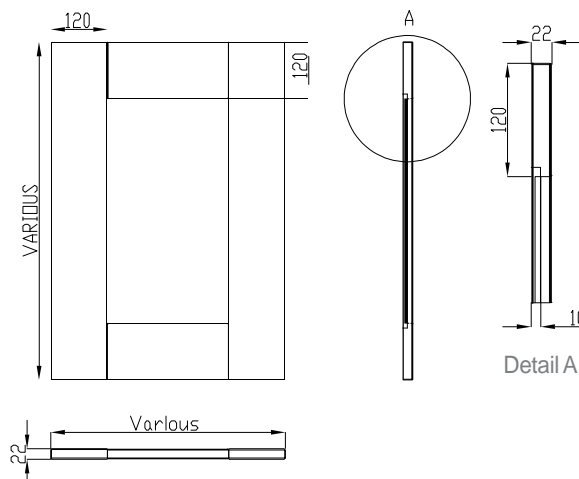
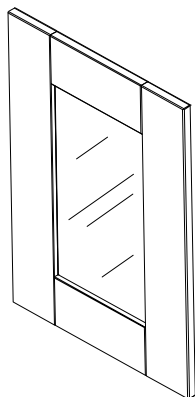


**Product Information**

Frame door  
Foil wrapped  
Open frame

Detail A

### Glazed Frame Door



**Product Information**

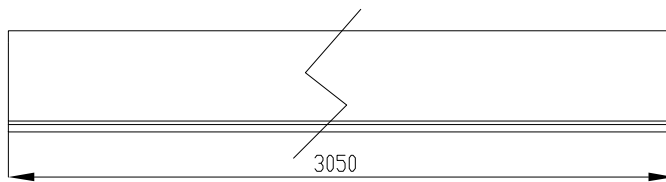
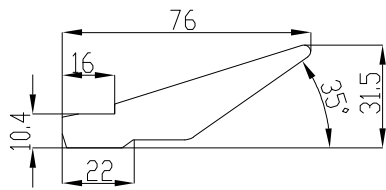
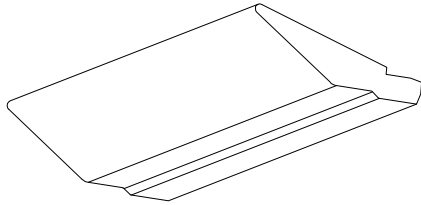
Glazed door  
Foil wrapped  
Satin toughened glass

Detail A

# Classic & Traditional Doors

## Cartmel Ivory

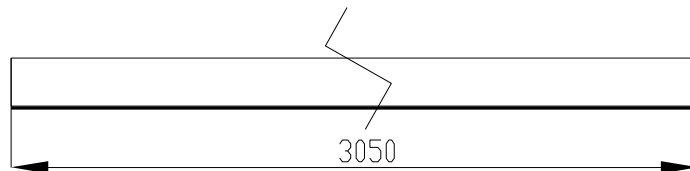
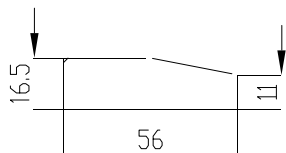
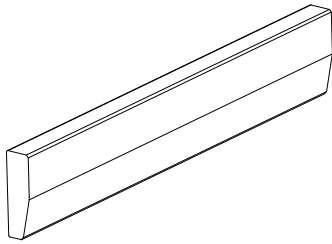
### Cornice



Product Information  
Foil wrapped MDF

Product Code  
80CORNICE

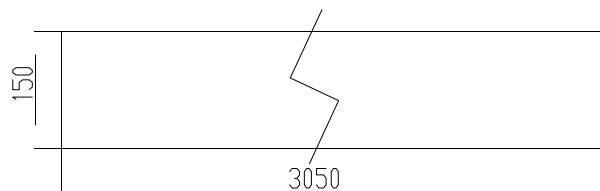
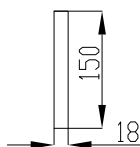
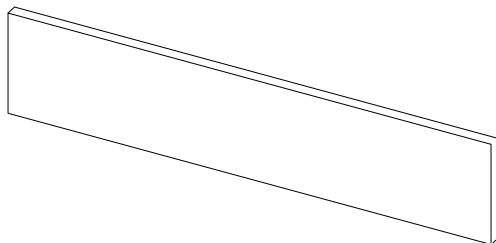
### Light Rail



Product Information  
Foil wrapped MDF

Product Code  
80PELMET

### Plinth



Product Information  
Foil wrapped MDF

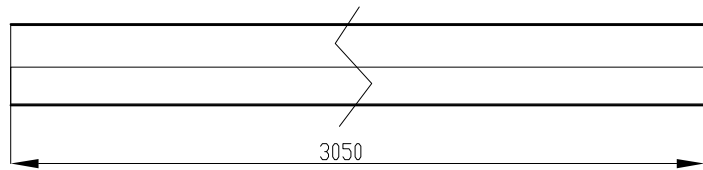
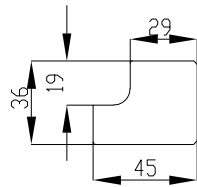
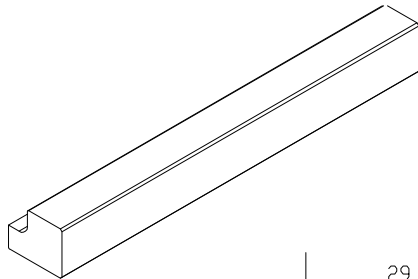
Product Code  
80PLINTH



# Classic & Traditional Doors

## Cartmel Ivory

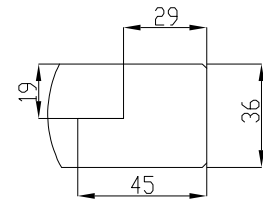
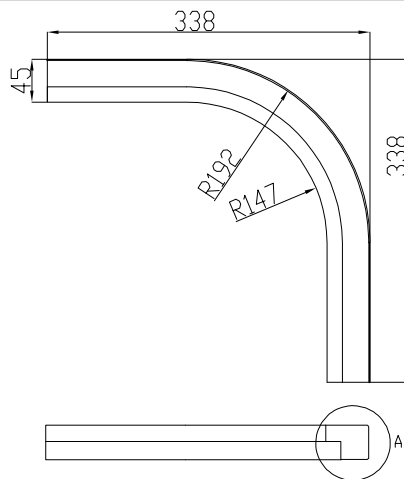
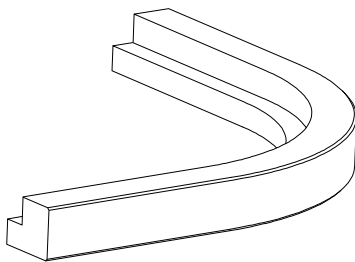
### Square End Straight Cornice / Pelmet



Product Information  
Foil wrapped MDF

Product Code  
80CORNICESQ

### Square End Curved Cornice / Pelmet

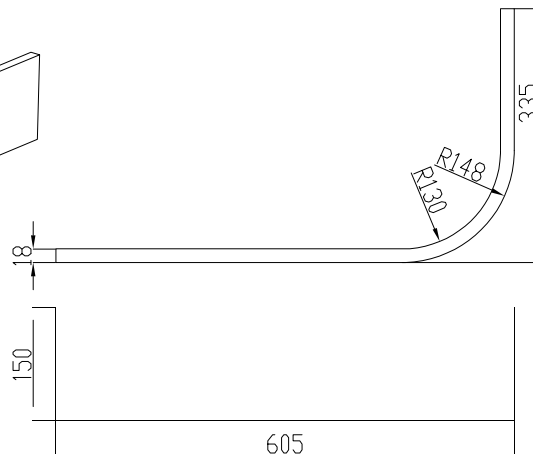
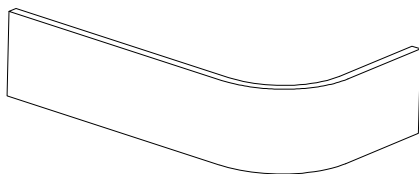


Detail A

Product Information  
Foil wrapped MDF

Product Code  
80CURVECORNICESQ

### Curved Plinth



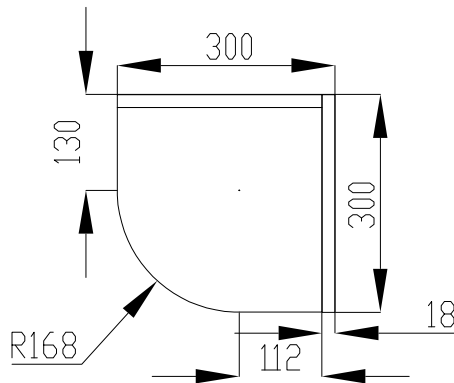
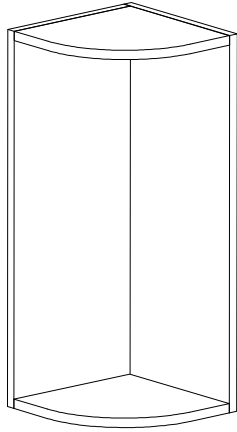
Product Information  
Foil wrapped MDF

Product Code  
80CURVEPLINTH

# Classic & Traditional Doors

## Cartmel Ivory

### CARTMEL Radius Carcase (External Curve)



#### Product Information

Radius carcase to be used with  
CARTMEL curved door ONLY

Carcase height: 720mm  
For use on a wall or as a  
feature base

Includes 1 shelf

CODE: 83RADIUSCART



# Classic & Traditional Doors

## Cartmel Ivory



# Classic & Traditional Doors

## Indiana

### Indiana

Indiana typifies the results that can be achieved by using a combination of modern styling and more traditional materials. With its almost clear lacquer, the Indiana door allows the natural beauty of the White Oak timber to remain unhindered and unabated. Slim bar handles enhance the modern appearance.

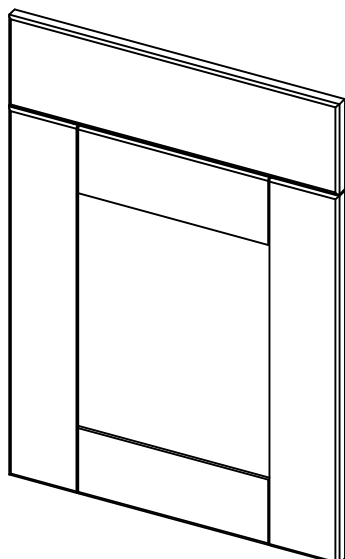


	<h4>Handle Suggestions</h4>
<p>Suggested MFC Board Match Egger H3368</p>	 <p>Strap Bar Handle 75371</p>  <p>Round End Bar Handle 75V510</p>  <p>Quadro Argento 75152</p> <p><small>Handle shown on display / door image Block End Bar Handle 75434 / Flat End Bar Handle 75428 &amp; 75429</small></p>

\* The Premium Timber stamp of approval applies to doors that are made from real wood or real wood veneers.

# Classic & Traditional Doors

## Indiana



### Product Information

Product Description	5pc door with flat centre panel & feature joints
Product Colour	Light oak
Product Finish	Semi gloss
Base Material	Oak, centre panel is oak veneer
Base Thickness	20mm
Covering Material	Lacquer
Edging Material	Lacquer
Edging Colour	To match with face
Reverse Colour	To match with face
Product Dimension	Standard door and drawer range

### Additional Information

5pc door with flat centre panel and feature joints  
 Accessories are solid timber/veneered and lacquered  
 All glazed doors have a satin toughened glass  
 2400mm tall end panels are edged 2 long; all other end panels are edged all round

### Door & Accessory Descriptions

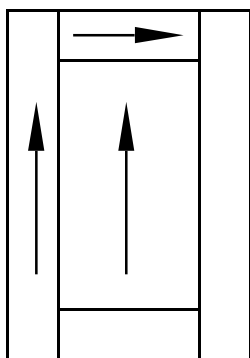
CODE	DESCRIPTION	CODE	DESCRIPTION	CODE	DESCRIPTION
4111059	110 x 596	4171514	715 x 147	41GALLSTR	STRAIGHT GALLERY RAIL 1220 x 70 x 20mm
4114029	140 x 296	4171525	715 x 256	41PILASTER	PILASTER
4114039	140 x 396	4171527	715 x 277	41PLATE570	PLATE RACK 570mm
4114044	140 x 446	4171529	715 x 296	41PLATE120	PLATE RACK 1200mm
4114049	140 x 496	4171531	715 x 313	41END78035	END PANEL 780 x 350mm
4114059	140 x 596	4171534	715 x 346	41END90065	END PANEL 900 x 650mm
4114079	140 x 796	4171539	715 x 396	41END240065	END PANEL 2400 x 650mm
4114089	140 x 896	4171544	715 x 446	41CORNICE	CORNICE
4114099	140 x 996	4171549	715 x 496	41CORNICESQ	SQ CORNICE
4117539	175 x 396	4171559	715 x 596	41PELMET	LIGHT RAIL
4117549	175 x 496	4189529	895 x 296	41CAN600	CANOPY 600 x 180 x 455mm
4117559	175 x 596	4189539	895 x 396	41CAN1000	CANOPY 1000 x 180 x 455mm
4128349	283 x 496	4189549	895 x 496	41WINE300	WINE FASCIA 715 x 295mm
4128359	283 x 596	4189559	895 x 596	41WINE500	WINE FASCIA 715 x 495mm
4128379	283 x 796	4198059	980 x 596	41CURVE	CURVED DOOR
4128389	283 x 896	41124529	1245 x 296	41CURVECORNICESQ	CURVED SQ CORNICE
4128399	283 x 996	41124539	1245 x 396	41CURVEPLINTH	CURVED PLINTH
4135549	355 x 496	41124549	1245 x 496	41PLINTH	PLINTH 150 x 2440mm
4135559	355 x 596	41124559	1245 x 596		
4135579	355 x 796	41F57049	570 x 496 FRAME		
4135589	355 x 896	41F71539	715 x 396 FRAME		
4135599	355 x 996	41F71549	715 x 496 FRAME		
4145059	450 x 596	41F71559	715 x 596 FRAME		
4149059	490 x 596	41F89539	895 x 396 FRAME		
4157029	570 x 296	41F89549	895 x 496 FRAME		
4157039	570 x 396	41G71539	715 x 396 SATIN GLAZED		
4157044	570 x 446	41G71549	715 x 496 SATIN GLAZED		
4157049	570 x 496	41G71559	715 x 596 SATIN GLAZED		
4157059	570 x 596	41G89549	895 x 496 SATIN GLAZED		



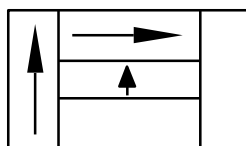
# Classic & Traditional Doors

## Indiana

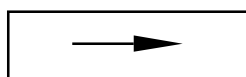
### Grain Direction



Door Grain Direction

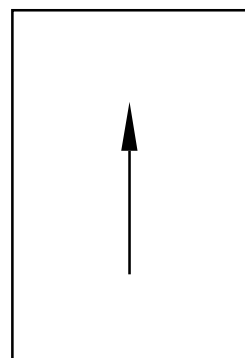


283 / 355mm



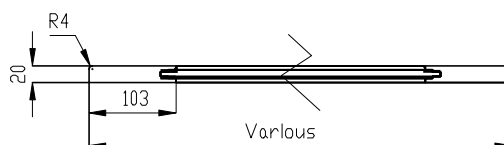
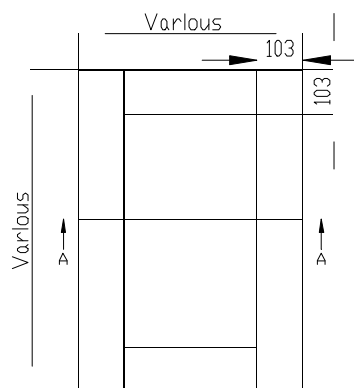
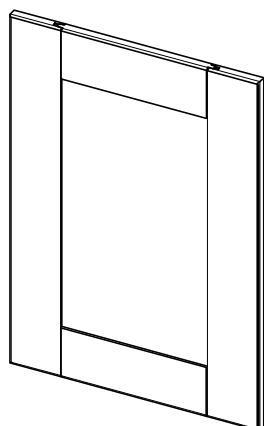
110 / 140 / 175mm

Drawer Grain Direction



Panel Grain Direction

### Door

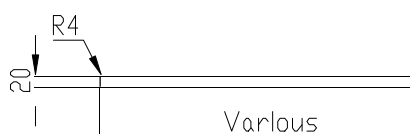
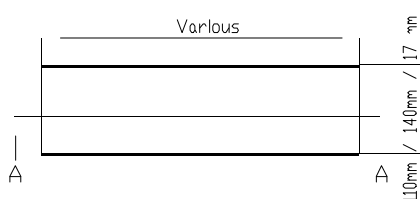
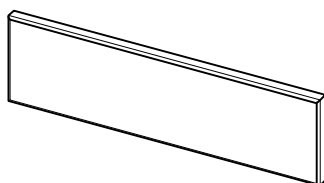


Section Through A-A

#### Product Information

5pc door with flat centre panel and feature joints  
Lacquered light oak  
Veneered centre panel  
715 x 147 door is a slab door

### Drawer



Section Through A-A

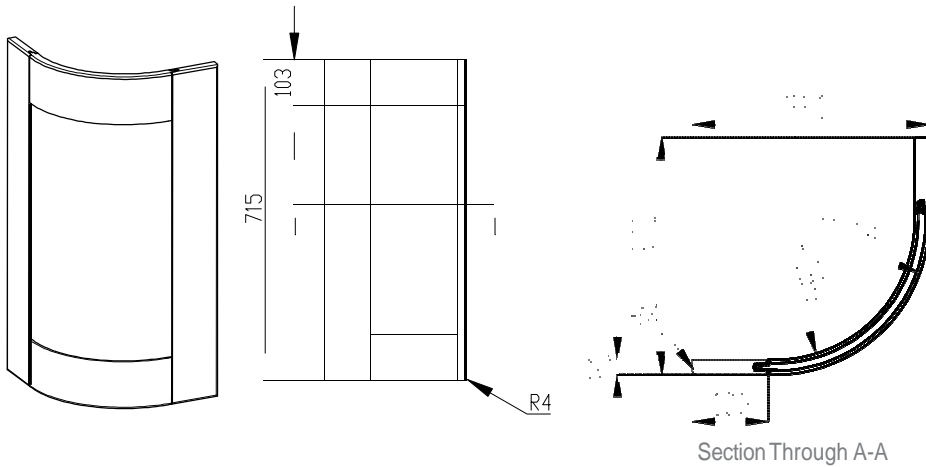
#### Product Information

Drawer for 110 / 140 / 175mm tall drawers  
All other drawer heights are based on the door design  
Lacquered light oak

# Classic & Traditional Doors

## Indiana

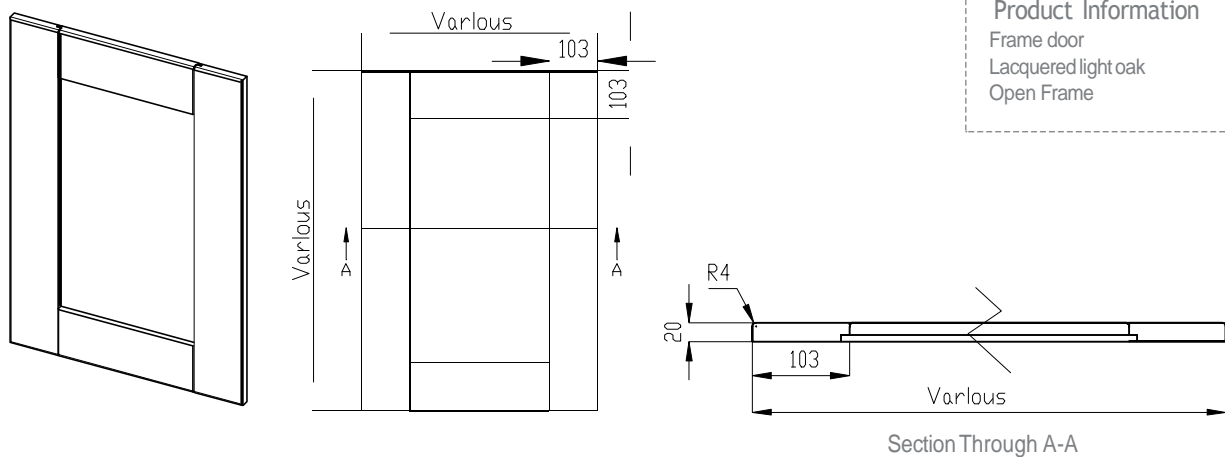
### Curved Door



**Product Information**  
 5 piece curved door  
 Lacquered light oak  
 Veneered

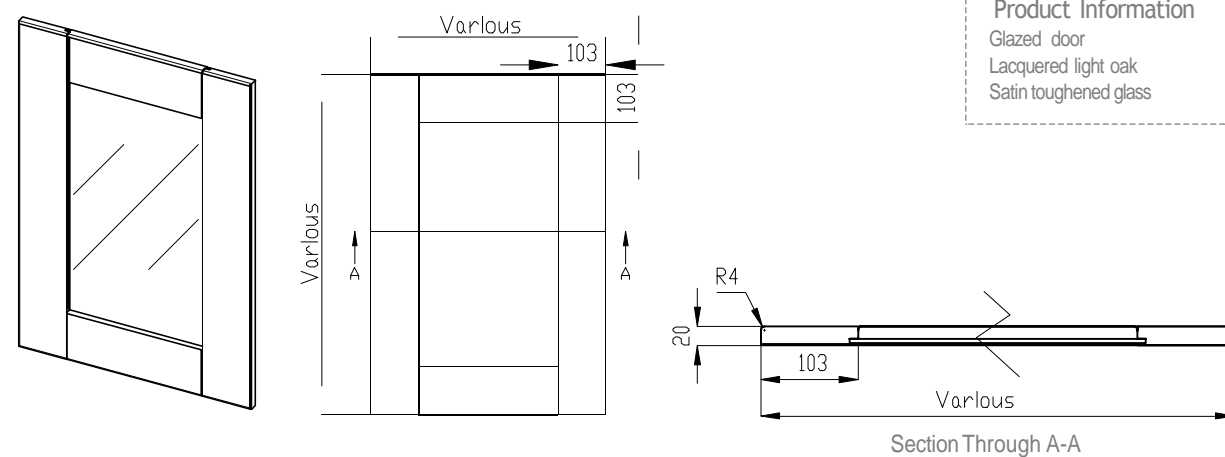
**Product Information**  
 41CURVE  
 (Veneered centre panel)

### Frame Door



**Product Information**  
 Frame door  
 Lacquered light oak  
 Open Frame

### Glazed Frame Door

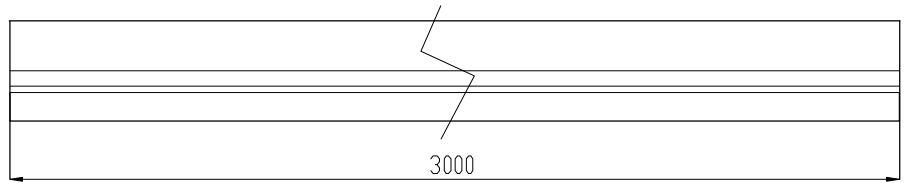
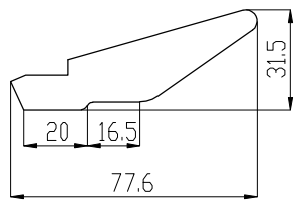
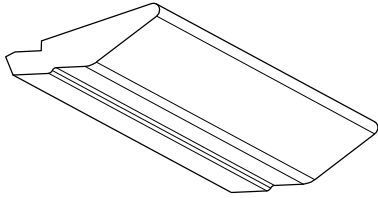


**Product Information**  
 Glazed door  
 Lacquered light oak  
 Satin toughened glass

# Classic & Traditional Doors

## Indiana

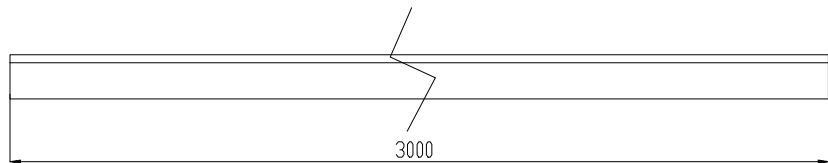
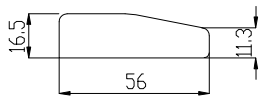
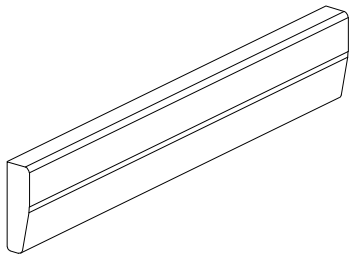
### Cornice



Product Information  
Veneered MDF

Product Information  
41CORNIC

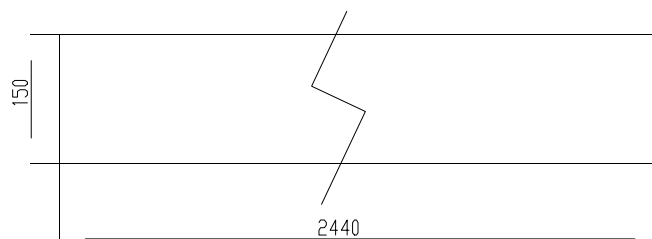
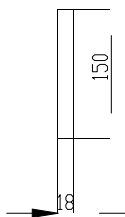
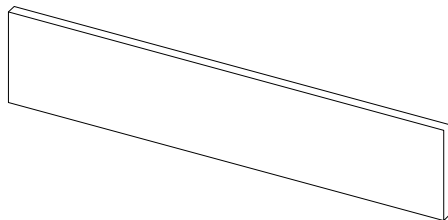
### Light Rail



Product Information  
Veneered MDF

Product Information  
41PELMET

### Plinth

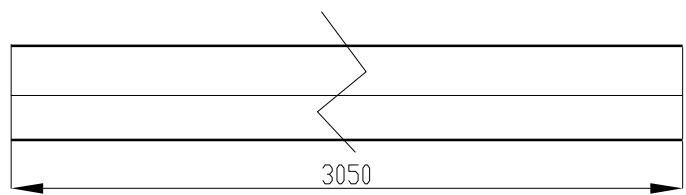
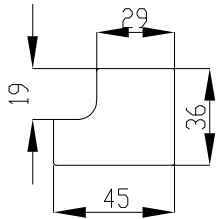
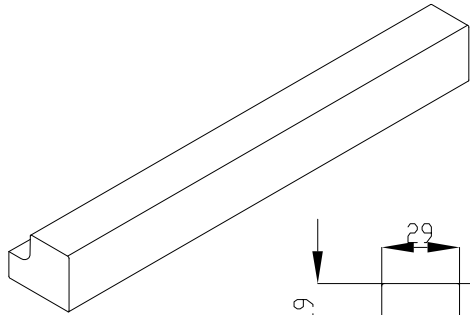


Product Information  
Veneered chipboard

Product Information  
41PLINTH



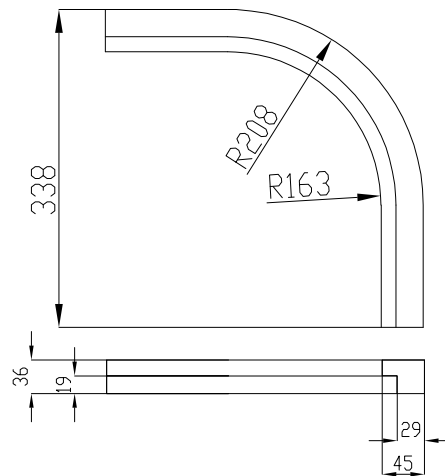
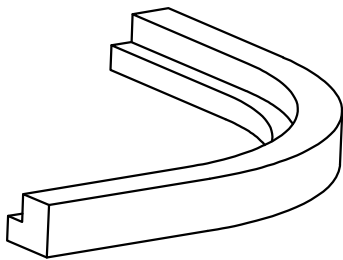
## Square End Straight Cornice / Pelmet



Product Information  
Veneered MDF

Product Code  
41CORNICESQ

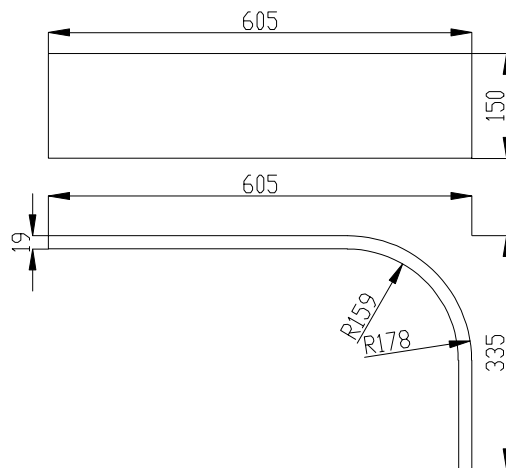
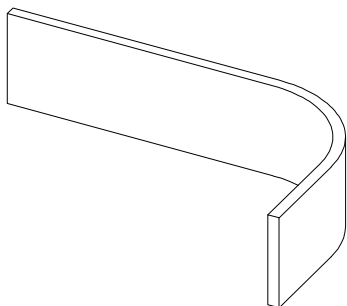
## Square End Curved Cornice / Pelmet



Product Information  
Veneered MDF

Product Code  
41CURVECORNICESQ

## Curved Plinth



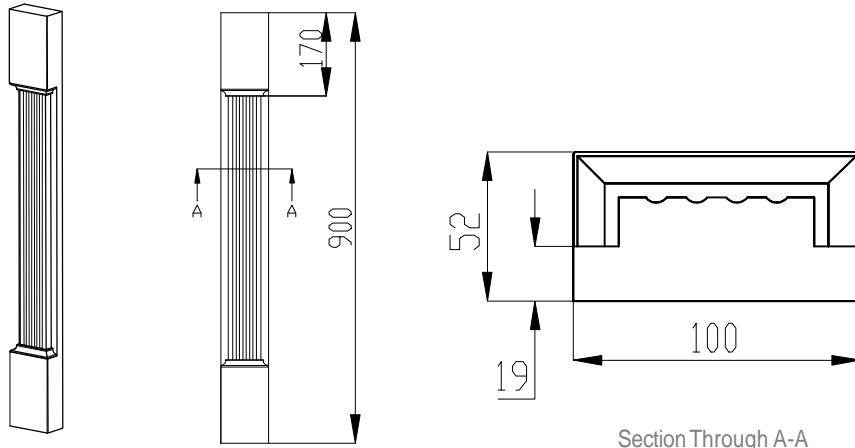
Product Information  
Veneered PLY laminate

Product Information  
41CURVEPLINTH

# Classic & Traditional Doors

## Indiana

### Pilaster

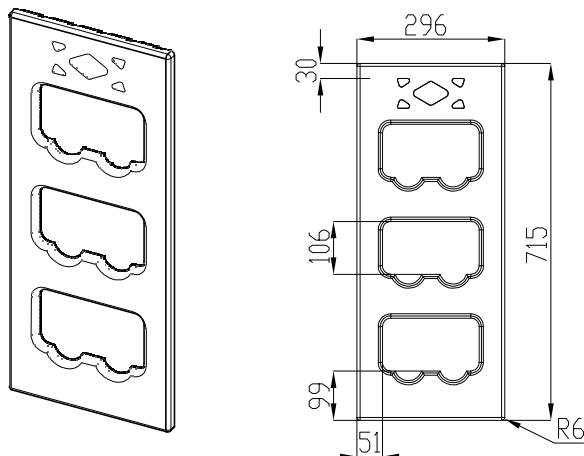


Product Information  
Lacquered light oak pilaster

Product Information  
41PILASTER

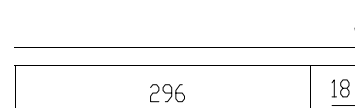
Section Through A-A

### Wine Fascia



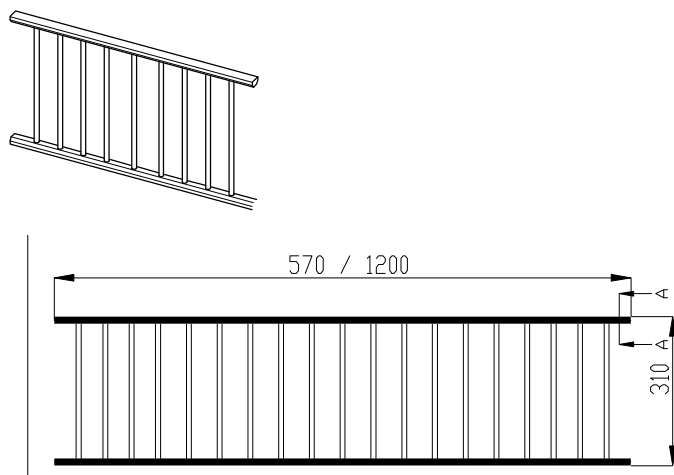
Product Information  
Lacquered oak wine fascia

Product Information  
41WINE300\*  
41WINE500



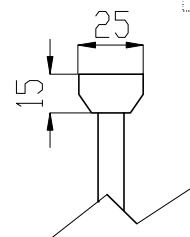
\*Drawing shown for 41WINE300

### Plate Rack



Product Information  
Lacquered oak plate rack

Product Information  
41PLATE570  
41PLATE120



Section Through A-A

# Classic & Traditional Doors

## Delaware Ivory

### Delaware Ivory

Timeless in its design, Delaware Ivory can achieve an array of styles from a classic to a more traditional look depending on the accessories used.

The Delaware Ivory door can be mixed with other colours as shown here.

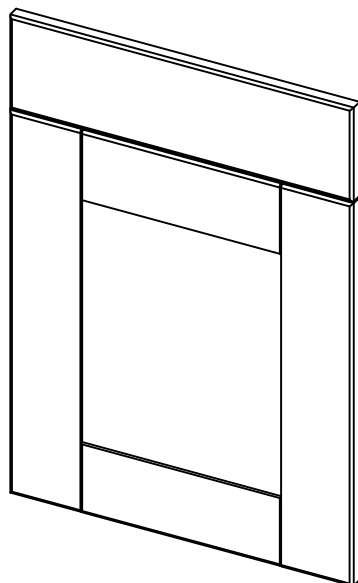


	<h4>Handle Suggestions</h4>
<p>Suggested MFC Board Match Egger U104</p>	 <p>Cream Crackle Drop Handle 75941</p> <hr/>  <p>Sanded Round Knob 7533</p> <hr/>  <p>Ribbed Handle 75383</p> <hr/> <p><small>Handle shown on display / door image Ribbed Handle 75382 &amp; Knob 75380 / Cream Crackle Handle 75941 &amp; Knob 75942</small></p>

\* The Premium Timber stamp of approval applies to doors that are made from real wood or real wood veneers.

# Classic & Traditional Doors

## Delaware Ivory



### Product Information

Product Description	5pc door with flat centre panel & feature joints
Product Colour	Ivory
Product Finish	Matt
Base Material	Solid Ash Frame, Veneered Centre Panel
Base Thickness	20mm
Covering Material	Paint
Edging Colour	To match with face
Reverse Colour	To match with face
Product Dimension	Standard door and drawer range

### Additional Information

5pc door with flat centre panel and feature joints  
 Accessories are solid timber / veneered and painted  
 Plain end panels have a visible grain  
 Veneered end panels have a visible grain  
 T&G end panels are smooth on one side and T&G on the other, both sides are veneered and therefore they can be used as T&G or plain.  
 2400mm tall end panels are edged 2 long; all other end panels are edged all round

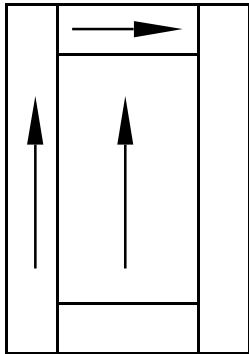
### Door & Accessory Descriptions

CODE	DESCRIPTION	CODE	DESCRIPTION	CODE	DESCRIPTION
2511059	110 x 596	2571514	715 x 147	25PLATE570	PLATE RACK 570mm
2514029	140 x 296	2571525	715 x 256	25PLATE120	PLATE RACK 1200mm
2514039	140 x 396	2571527	715 x 277	25END2400	END PANEL PLAIN 2400 X 600mm
2514044	140 x 446	2571529	715 x 296		(FITTERS PANEL)
2514049	140 x 496	2571531	715 x 313	25CORNICE	CORNICE
2514059	140 x 596	2571534	715 x 346	25PELMET	LIGHT RAIL
2514079	140 x 796	2571539	715 x 396	25CAN600	CANOPY 600 x 180 x 455mm
2514089	140 x 896	2571544	715 x 446	25CAN1000	CANOPY 1000 x 180 x 455mm
2514099	140 x 996	2571549	715 x 496	25WINE300	WINE FASCIA 715 x 295mm
2517539	175 x 396	2571559	715 x 596	25WINE500	WINE FASCIA 715 x 495mm
2517549	175 x 496	2589529	895 x 296	25CURVE	CURVED DOOR
2517559	175 x 596	2589539	895 x 396	25GCURVE	GLAZED CURVED DOOR
2528349	283 x 496	2589549	895 x 496	25CURVECORNICE	CURVED CORNICE
2528359	283 x 596	2589559	895 x 596	25CURVEPELMET	CURVED LIGHT RAIL
2528379	283 x 796	2598059	980 x 596	25CURVEPLINTH	CURVED PLINTH
2528389	283 x 896	25124529	1245 x 296	25PLINTH	PLINTH 150 x 2440mm
2528399	283 x 996	25124539	1245 x 396	25COLUMN	FLOOR COLUMN
2535549	355 x 496	25124549	1245 x 496	25MANTELBKT	MANTEL BRACKET
2535559	355 x 596	25124559	1245 x 596	25MANTELSHELF	MANTEL SHELF
2535579	355 x 796	25F71539	715 x 396 FRAME	25MANTELSIDE	MANTEL SIDE
2535589	355 x 896	25F71549	715 x 496 FRAME	25MANTELTOP	MANTEL TOP
2535599	355 x 996	25F71559	715 x 596 FRAME	25PBARREL	PILASTER - BARREL
2545059	450 x 596	25F89539	895 x 396 FRAME	25PREED	PILASTER - REEDED
2549059	490 x 596	25F89549	895 x 496 FRAME	25RENDCORNIC	RADIUS END CORNICE
2557029	570 x 296	25G71539	715 x 396 CLEAR GLAZED	25RENDPILLAR	RADIUS END PILLAR
2557039	570 x 396	25G71549	715 x 496 CLEAR GLAZED	25END780350TG	T&G PANEL VENEER 780 X 350mm
2557044	570 x 446	25G71559	715 x 596 CLEAR GLAZED	25END900650TG	T&G PANEL VENEER 900 X 650mm
2557049	570 x 496	25G89549	895 x 496 CLEAR GLAZED	25END2400650TG	T&G PANEL VENEER 2400 X 650mm
2557059	570 x 596			25MANTELKIT	MANTEL KIT
				25BOTTLE	BOTTLE RACK 1500mm

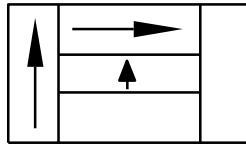
# Classic & Traditional Doors

## Delaware Ivory

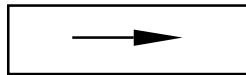
### Grain Direction



Door Grain Direction

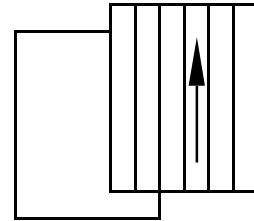


283 / 355mm



110 / 140 / 175mm

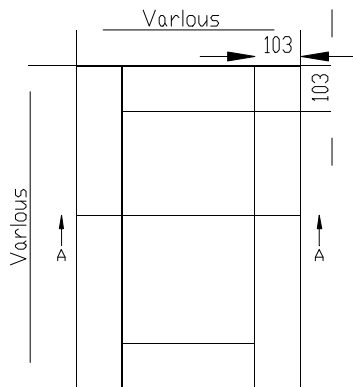
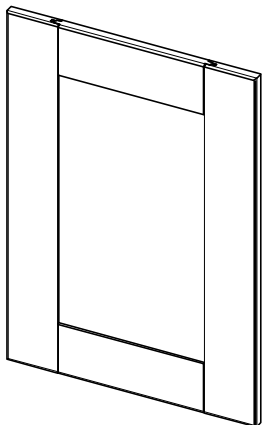
Drawer Grain Direction



Panel Grain Direction

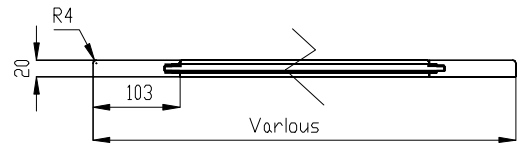
Plain - No grain visible  
T&G Veneer - Visible grain  
T&G Panels are smooth on one side  
and T&G on the other

### Door



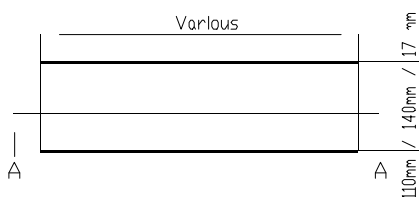
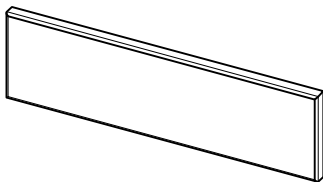
#### Product Information

5pc door with flat centre panel and feature joints  
Painted (Solid Ash frame with veneered centre panel)  
715 x 147 door is a slab door



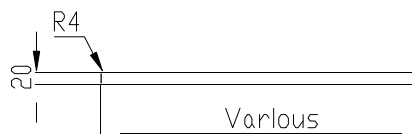
Section Through A-A

### Drawer



#### Product Information

Drawer for 110 / 140 / 175mm tall drawers  
All other drawer heights are based on the door design  
Painted Solid Ash

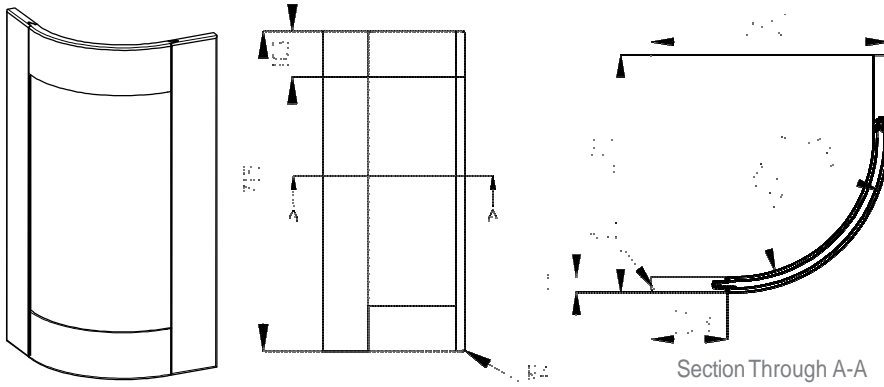


Section Through A-A

# Classic & Traditional Doors

## Delaware Ivory

### Curved Door



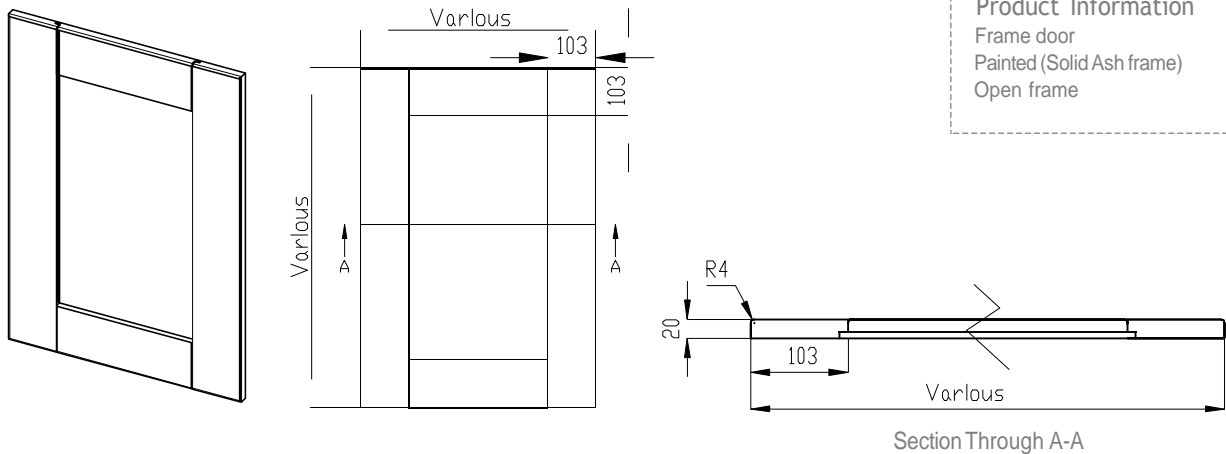
#### Product Information

5pc curved door  
 Solid Door: Painted (Solid Ash frame with veneered centre panel)  
 Glazed Door: Painted (Solid Ash frame with glazed centre)

#### Product Code

25CURVE  
 (Painted Oak)  
 25GCURVE  
 (Clear glazed centre)

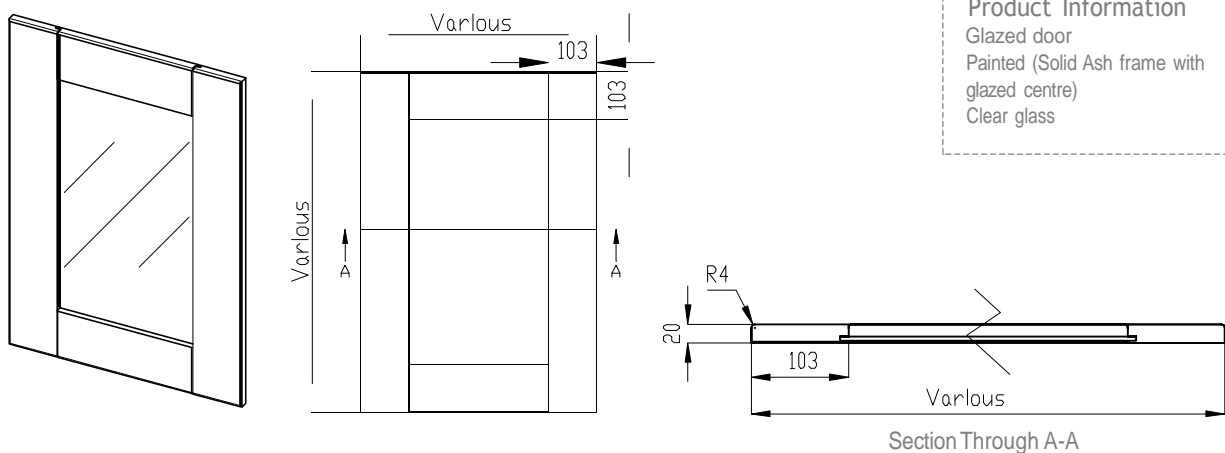
### Frame Door



#### Product Information

Frame door  
 Painted (Solid Ash frame)  
 Open frame

### Glazed Frame Door



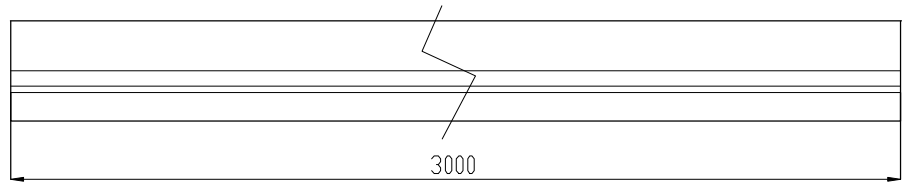
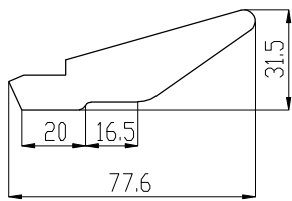
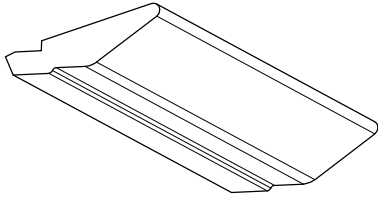
#### Product Information

Glazed door  
 Painted (Solid Ash frame with glazed centre)  
 Clear glass

# Classic & Traditional Doors

## Delaware Ivory

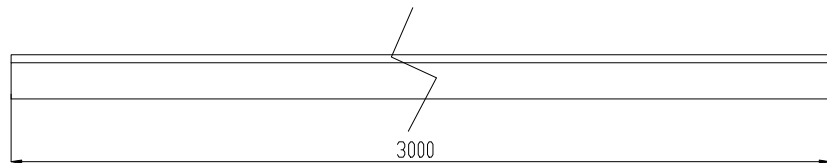
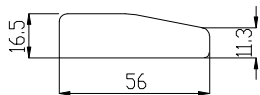
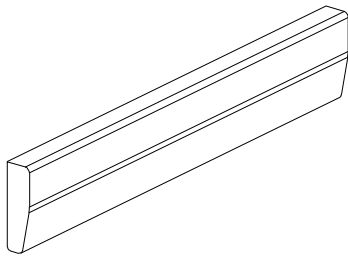
### Cornice



Product Information  
Painted Oak veneered MDF

Product Code  
25CORNICE

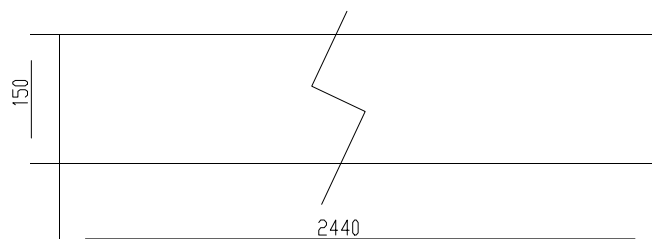
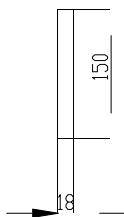
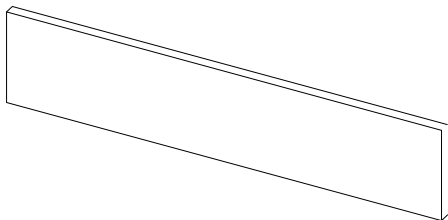
### Light Rail



Product Information  
Painted Oak veneered MDF

Product Code  
25PELMET

### Plinth



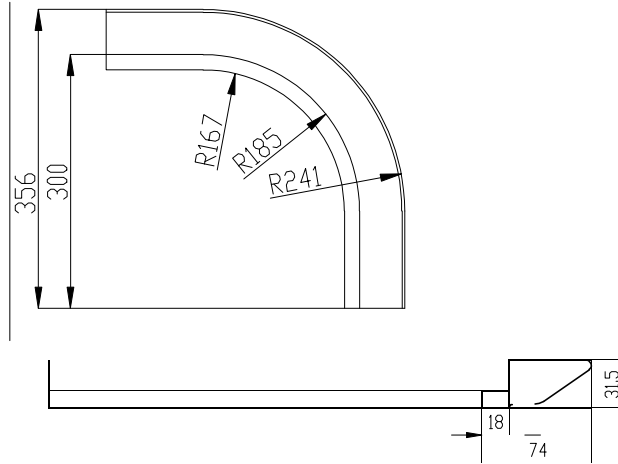
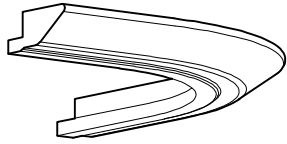
Product Information  
Painted Oak veneered chipboard

Product Code  
25PLINTH

# Classic & Traditional Doors

## Delaware Ivory

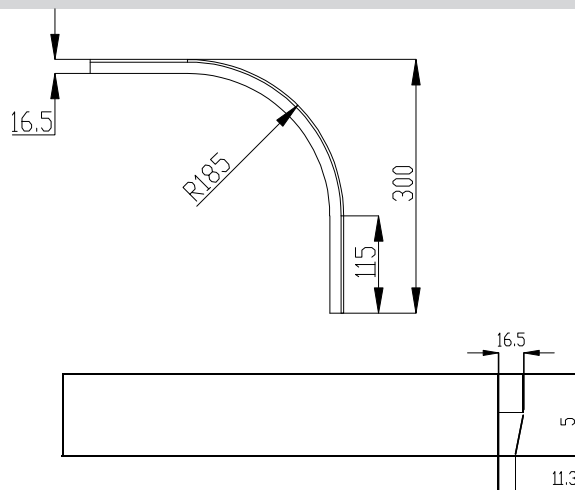
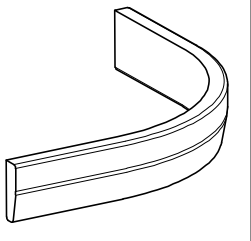
### Curved Cornice



Product Information  
Painted Oak

Product Code  
25CURVECORNICE

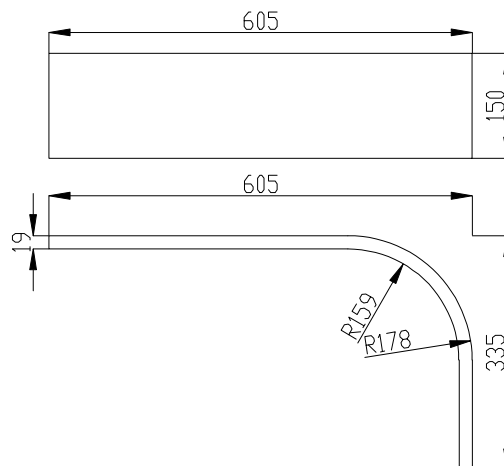
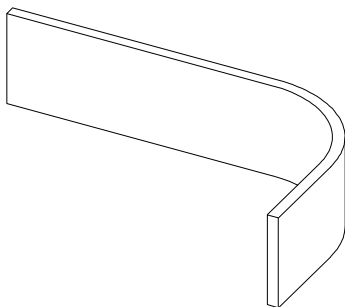
### Curved Light Rail



Product Information  
Painted Oak veneered PLY laminate

Product Code  
25CURVEPELMET

### Curved Plinth



Product Information  
Painted Oak veneered PLY laminate

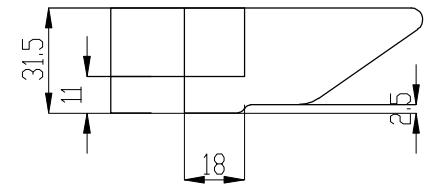
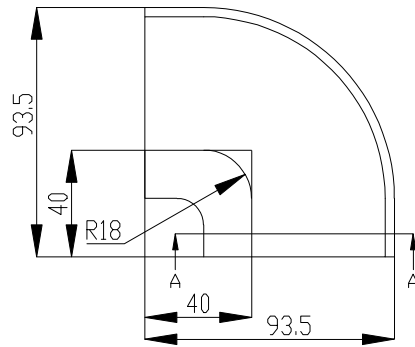
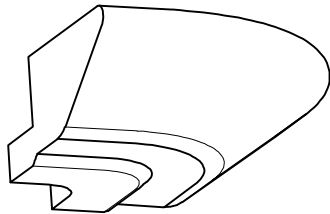
Product Code  
25CURVEPLINTH



# Classic & Traditional Doors

## Delaware Ivory

### Radius End Cornice



Section Through A-A

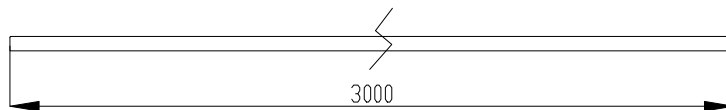
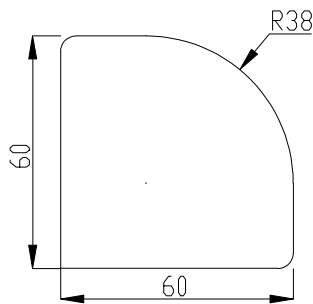
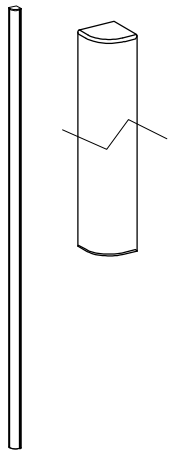
#### Product Information

Painted Oak  
To be used with Radius End Pillar

#### Product Code

25RENDORNICE

### Radius End Pillar



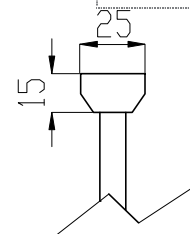
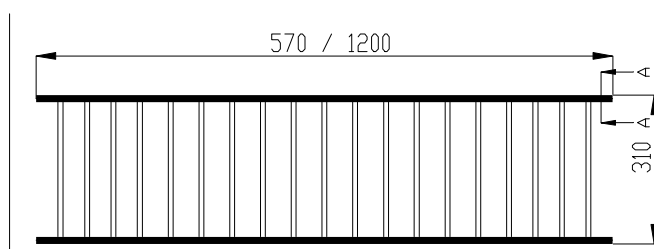
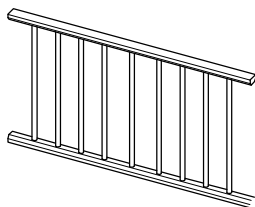
#### Product Information

Painted Oak  
To be used with Radius End Cornice

#### Product Code

25RENDPILLAR

### Plate Rack



Section Through A-A

#### Product Information

Painted Oak

#### Product Code

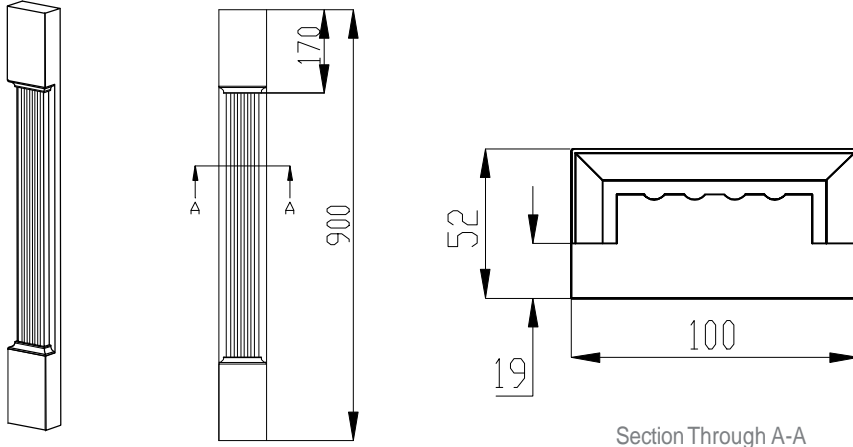
25PLATE570

25PLATE120

# Classic & Traditional Doors

## Delaware Ivory

### Reeded Pilaster

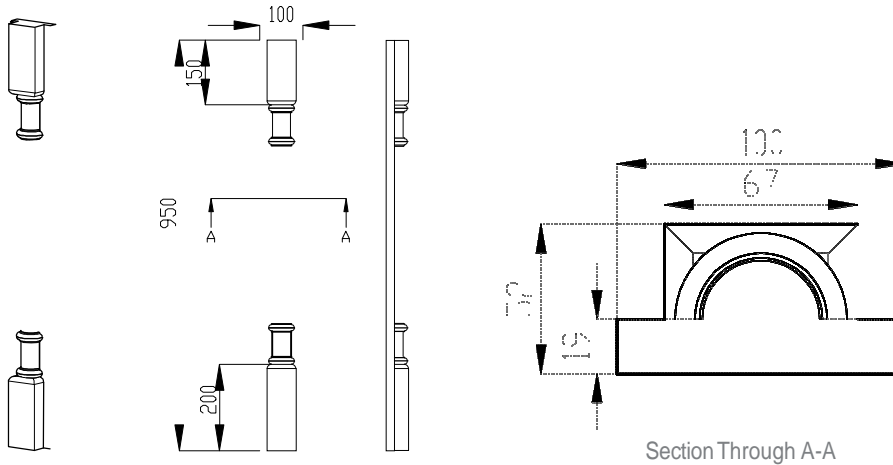


Product Information  
Painted Oak reeded pilaster

Product Code  
25PREED

Section Through A-A

### Barrel Pilaster

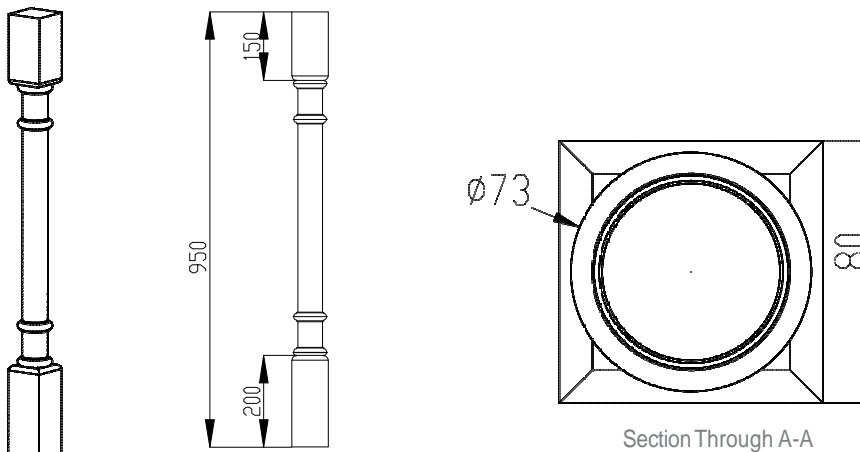


Product Information  
Painted Oak Barrel Pilaster

Product Code  
25PBARREL

Section Through A-A

### Floor Column



Product Information  
Painted Oak Floor Column

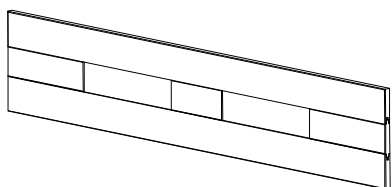
Product Code  
25COLUMN

Section Through A-A

# Classic & Traditional Doors

## Delaware Ivory

### Mantel Top

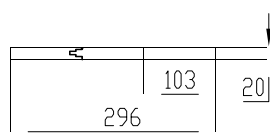
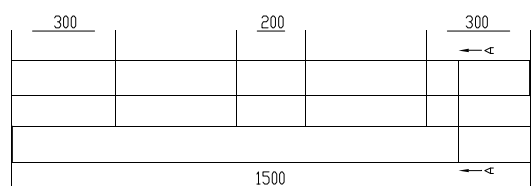


#### Product Information

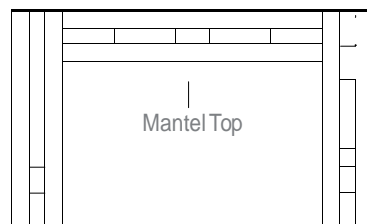
5pc Mantel top with flat centre panel and feature joints / Painted (Solid Ash frame with veneered centre panel)

#### Product Code

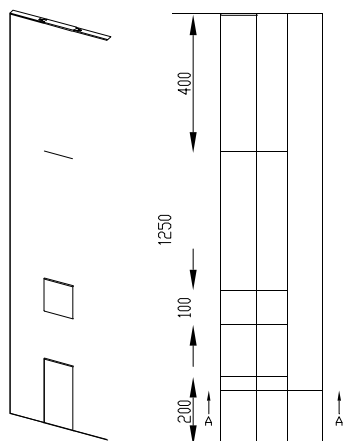
25MANTELTOP / 25MANTELKIT: 1X MANTEL TOP / 2X MANTEL SIDES / 2X MANTEL BRACKETS / 1X MANTEL SHELF



Section Through A-A



### Mantel Side

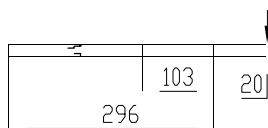


#### Product Information

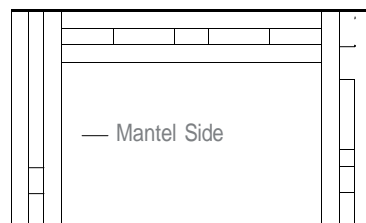
5pc Mantel side with flat centre panel and feature joints / Painted (Solid Ash frame with veneered centre panel)

#### Product Code

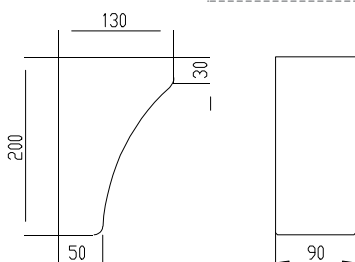
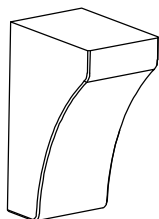
25MANTELSIDE / 25MANTELKIT: 1X MANTEL TOP / 2X MANTEL SIDES / 2X MANTEL BRACKETS / 1X MANTEL SHELF



Section Through A-A



### Mantel Bracket



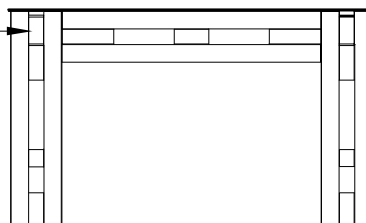
#### Product Information

Solid Mantel bracket to fit with Mantel side / Painted Oak

#### Product Code

25MANTELBKT  
25MANTELKIT: 1X MANTEL TOP / 2X MANTEL SIDES / 2X MANTEL BRACKETS / 1X MANTEL SHELF

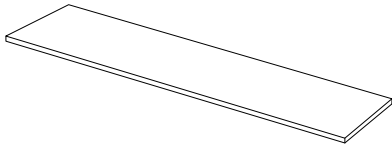
Mantel Bracket



# Classic & Traditional Doors

## Delaware Ivory

### Mantel Shelf

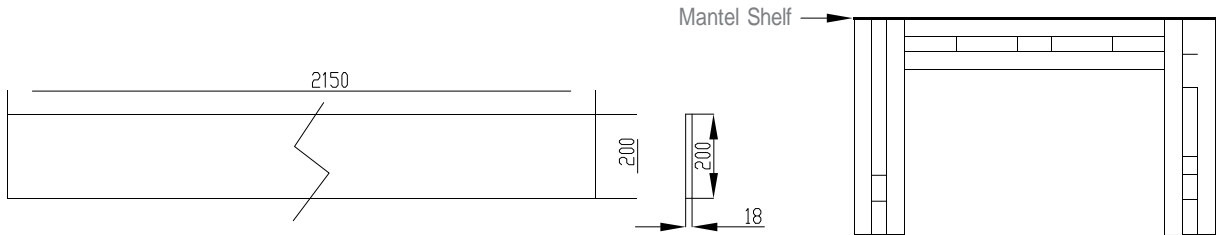


#### Product Information

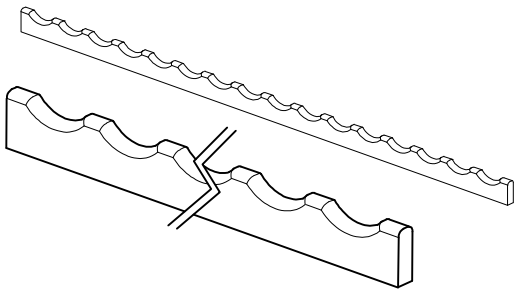
Solid Mantel top to fit with flat centre panel and feature joints / Painted Oak veneer chipboard

#### Product Code

25MANTELSHELF  
25MANTELKIT: 1X MANTEL TOP / 2X MANTEL SIDES /  
2X MANTEL BRACKETS / 1X MANTEL SHELF



### Bottle Rack

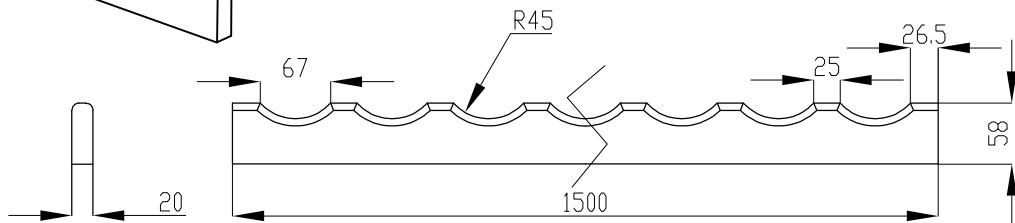


#### Product Information

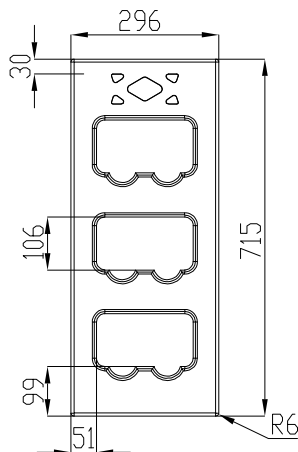
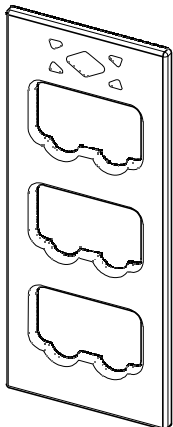
Painted Oak Bottle Rack

#### Product Code

25BOTTLE



### Wine Fascia

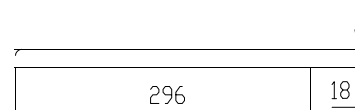


#### Product Information

Painted Oak Wine Fascia

#### Product Code

25WINE300\*  
25WINE500



Drawing shown for 25WINE300

# Classic & Traditional Doors

## Sanded Oak Shaker

### Sanded Oak Shaker

Sanded Oak Shaker is perfect for anyone wanting to bring their own bespoke finish to create an exclusive look to any kitchen environment.

The simple, uncomplicated design combined with the large steel bar handle give an ultra modern, sleek and clean appearance.



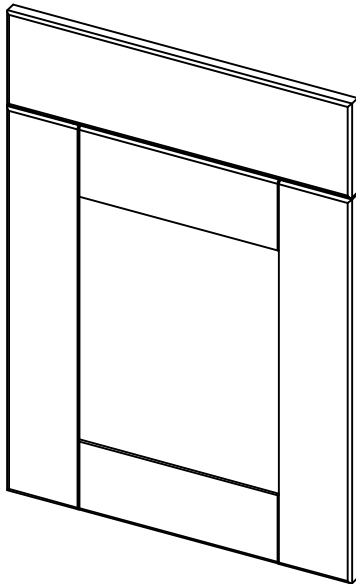
Sanded Oak Shaker painted Fallow Grey.

 <p><b>Suggested MFC Board Match</b> Board match dependent on finish selection</p>	<h4>Handle Suggestions</h4>  <p>Strap Handle 75V515</p>  <p>Strap Handle 75437</p>  <p>Convus Handle 75393</p> <p><small>Handle shown on display / door image Block End Bar Handle 75434 / Bar Handle 75401 &amp; 75402</small></p>
---	--

\*The Premium Timber stamp of approval applies to doors that are made from real wood or real wood veneers.

# Classic & Traditional Doors

## Sanded Oak Shaker



### Product Information

Product Description	Oak door with flat centre panel & feature joints
Product Colour	Raw oak
Product Finish	None
Base Material	Solid oak frame, veneered centre panel (on chipboard)
Base Thickness	20mm
Edging Colour	To match with face
Reverse Colour	To match with face
Product Dimension	Standard door and drawer range

### Additional Information

5pc door with flat centre panel and feature joints  
 Accessories are solid timber / veneered  
 Plain end panels have a visible grain  
 Veneered end panels have a visible grain  
 T&G end panels are smooth on one side and T&G on the other  
 2400mm tall end panels are edged 2 long; all other end panels are edged all round  
 Product must be finished before installation

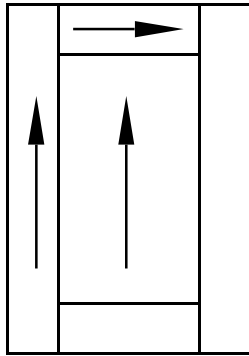
### Door & Accessory Descriptions

CODE	DESCRIPTION	CODE	DESCRIPTION	CODE	DESCRIPTION
4211059	110 x 596	4271527	715 x 277	42CURVE	CURVED DOOR
4214029	140 x 296	4271529	715 x 296	42GCURVE	CURVED DOOR GLAZED
4214039	140 x 396	4271531	715 x 313	42CURVECORNIC	CURVED TANGENT CORNICE
4214044	140 x 446	4271534	715 x 346	42CURVECORNIC	CURVED CORNICE SQ
4214049	140 x 496	4271539	715 x 396	42CURVEPELMET	CURVED TANGENT LIGHT RAIL
4214059	140 x 596	4271544	715 x 446	42CURVEPLINTH	CURVED PLINTH
4214079	140 x 796	4271549	715 x 496	42CAN600	CANOPY 600 x 180 x 455mm
4214089	140 x 896	4271559	715 x 596	42CAN1000	CANOPY 1000 x 180 x 455mm
4214099	140 x 996	4289529	895 x 296	42PLATE57	PLATE RACK 570mm
4217549	175 x 496	4289549	895 x 496	42PLATE120	PLATE RACK 1200mm
4217559	175 x 596	4289559	895 x 596	42WINE300	WINE FASCIA 715 x 295mm
4228349	283 x 496	4298059	980 x 596	42WINE500	WINE FASCIA 715 x 495mm
4228359	283 x 596	42124529	1245 x 296	42BOTTLE	BOTTLE RACK 1500mm
4228379	283 x 796	42124539	1245 x 396	42PREED	PILASTER - REEDED
4228389	283 x 896	42124549	1245 x 496	42PBARREL	PILASTER - BARREL
4228399	283 x 996	42124559	1245 x 596	42COLUMN	FLOOR COLUMN
4235549	355 x 496	42F57049	570 x 496 FRAME	42RENDCORNIC	RADIUS END CORNICE
4235559	355 x 596	42F71539	715 x 396 FRAME	42RENDPILLAR	RADIUS END PILLAR
4235579	355 x 796	42F71549	715 x 496 FRAME	42MANTELKIT	MANTEL KIT
4235589	355 x 895	42F71559	715 x 596 FRAME	42MANTELTOP	MANTEL TOP
4235599	355 x 996	42F89549	895 x 496 FRAME	42MANTELSIDE	MANTEL SIDE
4245059	450 x 596	42CORNIC	CORNICE	42MANTELBKT	MANTEL BRACKET
4249059	490 x 596	42CORNIC	CORNICE SQ	42MANTELSHELF	MANTEL SHELF
4257029	570 x 296	42PELMET	LIGHT RAIL	42END780350TG	T&GENDPANELVENEER780x350mm
4257039	570 x 396	42PLINTH	PLINTH 150 x 2440mm	42END900650TG	T&GENDPANELVENEER900x650mm
4257044	570 x 446			42END2400650TG	T&GENDPANELVENEER2400x650mm
4257049	570 x 496			42END780	END PANEL VENEER 780 x 350mm
4257059	570 x 596			42END90065	END PANEL VENEER 900 x 650mm
4271514	715 x 147			42END240065	END PANEL VENEER 2400 x 650mm
4271525	715 x 256				

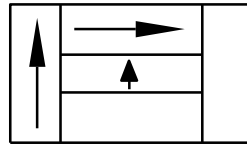
# Classic & Traditional Doors

## Sanded Oak Shaker

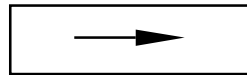
### Grain Direction



Door Grain Direction

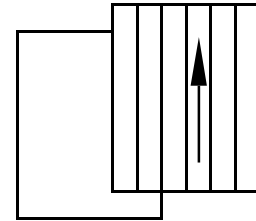


283 / 355mm



110 / 140 / 175mm

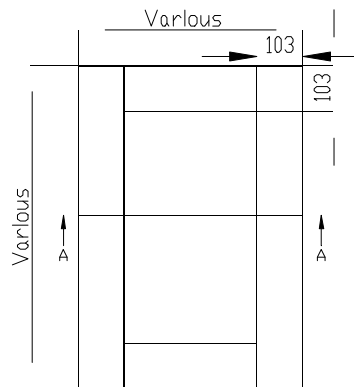
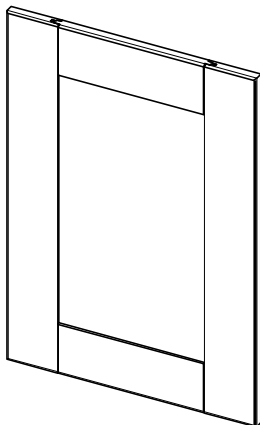
Drawer Grain Direction



Panel Grain Direction

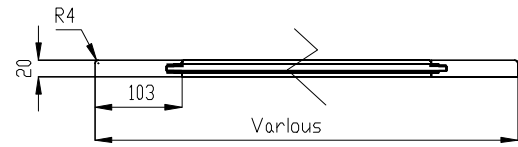
Veneered Panel - Visible Grain  
Plain - No Grain Visible  
T&G Panels are smooth on One side and T&G on the other

### Door



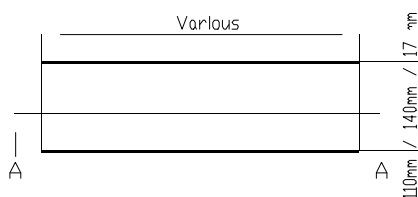
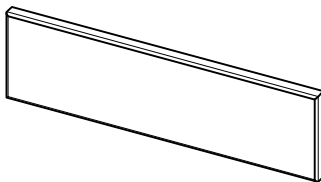
#### Product Information

5pc door with flat centre panel and feature joints  
Sanded solid oak frame, veneered centre panel (on chipboard)  
715 x 147 door is a slab door



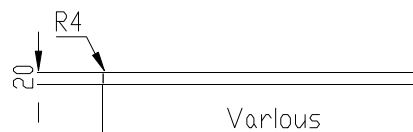
Section Through A-A

### Drawer



#### Product Information

Drawer for 110 / 140 / 175mm tall drawers  
All other drawer heights are based on the door design  
Sanded solid oak

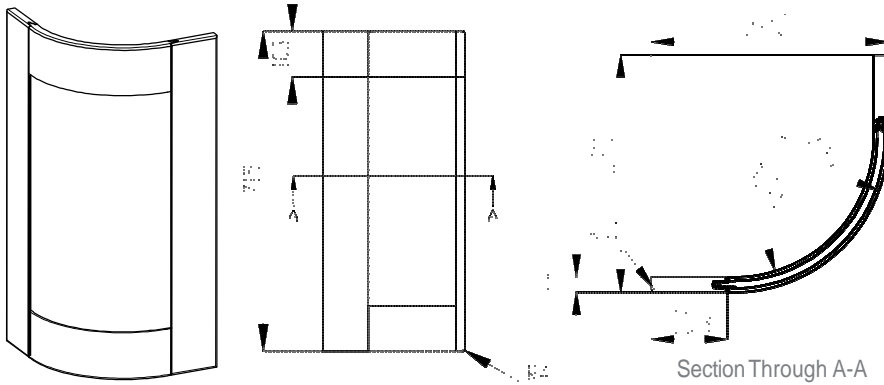


Section Through A-A

# Classic & Traditional Doors

## Sanded Oak Shaker

### Curved Door



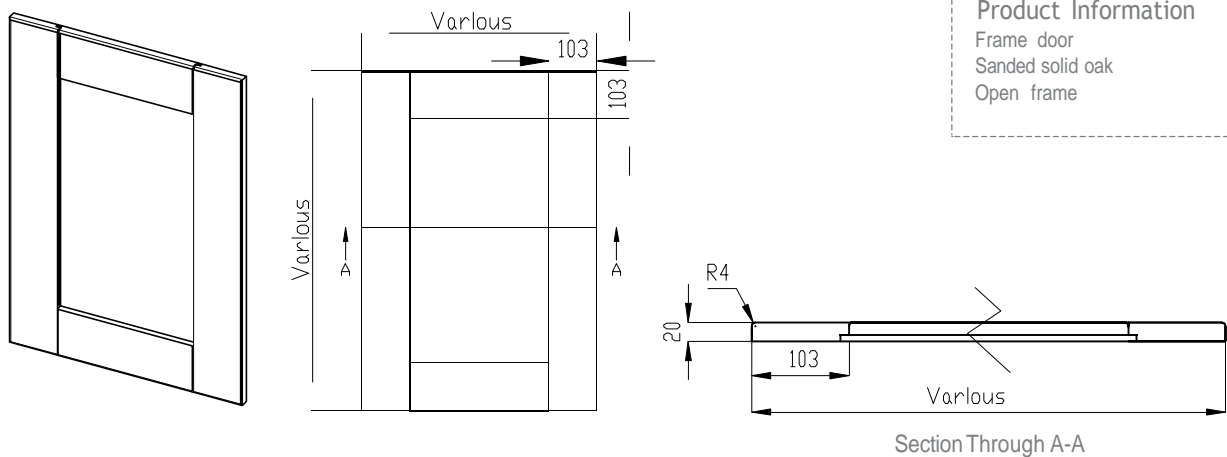
#### Product Information

5pc piece curved door with a veneered centre panel  
 Solid Door: Sanded solid oak frame, veneered centre panel  
 Glazed Door: Sanded solid oak frame, glazed centre panel

#### Product Code

42CURVE  
 (Sanded oak veneered centre)  
 42GCURVE  
 (Clearglazed centre)

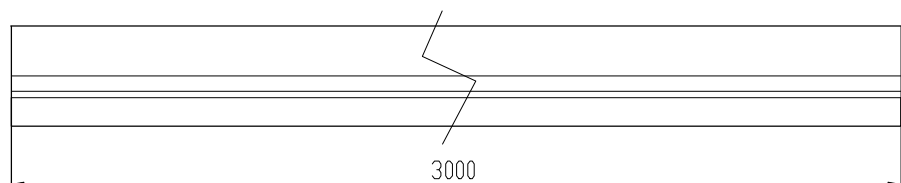
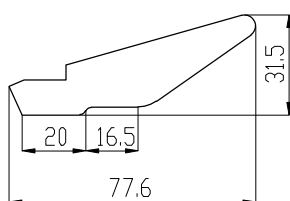
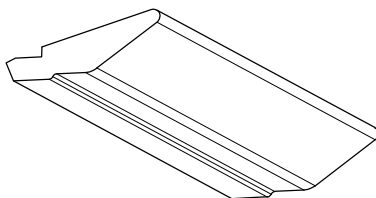
### Frame Door



#### Product Information

Frame door  
 Sanded solid oak  
 Open frame

### Cornice



#### Product Information

Sanded oak veneered MDF

#### Product Code

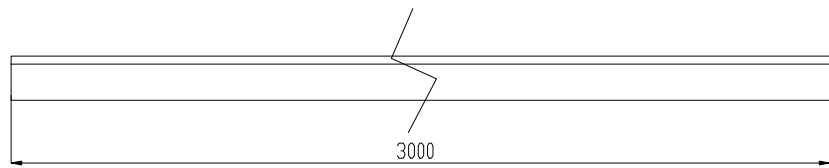
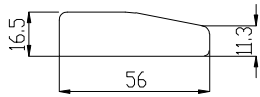
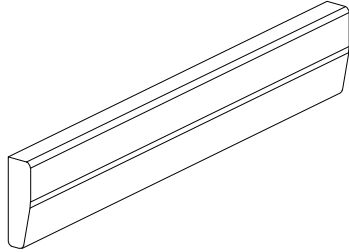
42CORNICE



# Classic & Traditional Doors

## Sanded Oak Shaker

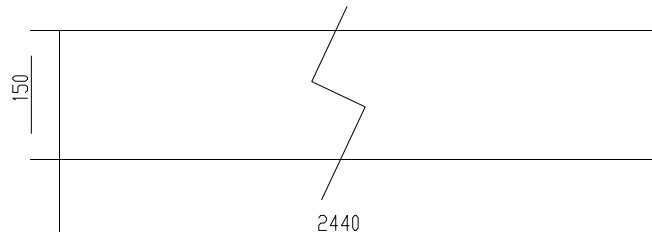
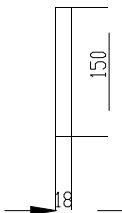
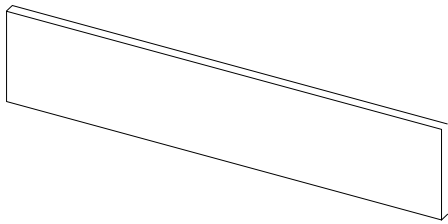
### Light Rail



Product Information  
Sanded oak veneered MDF

Product Code  
42PELMET

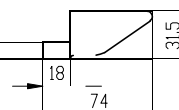
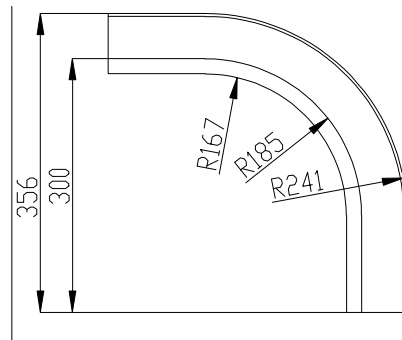
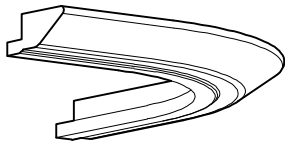
### Plinth



Product Information  
Sanded oak veneered chipboard

Product Code  
42PLINTH

### Curved Cornice



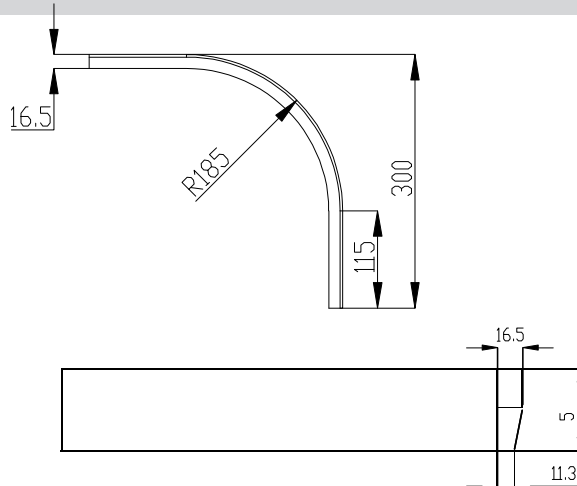
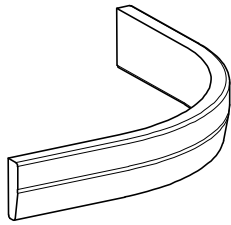
Product Information  
Veneered PLY sanded

Product Code  
42CURVECORNICE

# Classic & Traditional Doors

## Sanded Oak Shaker

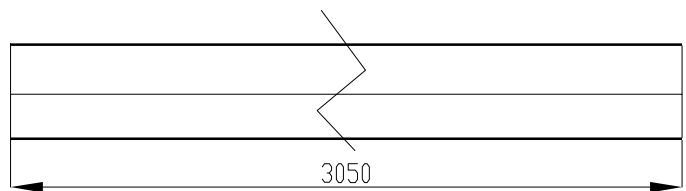
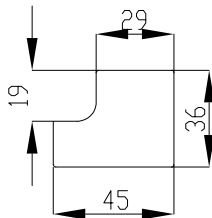
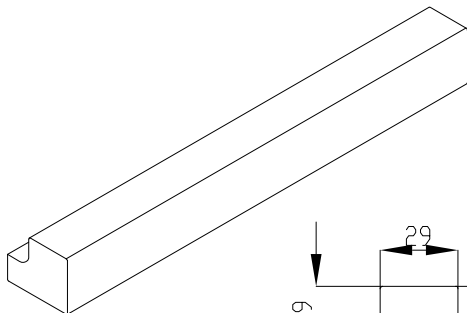
### Curved Light Rail



**Product Information**  
Veneered PLY sanded

**Product Code**  
42CURVEPELMET

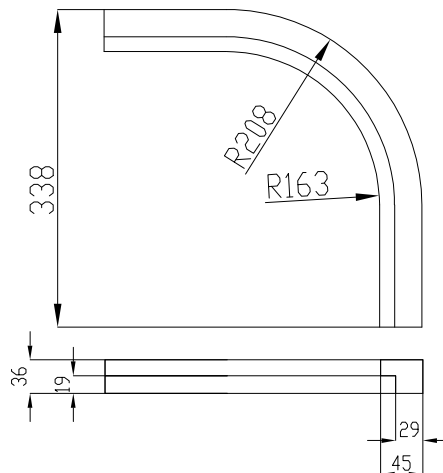
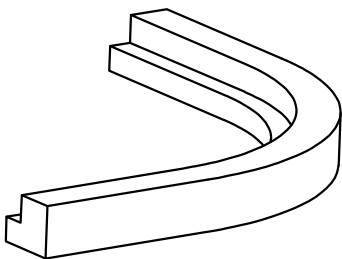
### Square End Straight Cornice / Pelmet



**Product Information**  
Veneered PLY laminate

**Product Code**  
42CORNICESQ

### Square End Curved Cornice / Pelmet



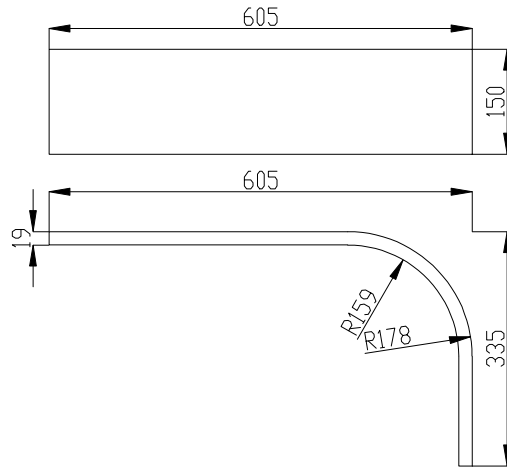
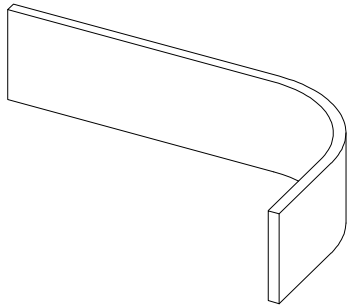
**Product Information**  
Veneered PLY laminate

**Product Code**  
42CURVECORNICESQ

# Classic & Traditional Doors

## Sanded Oak Shaker

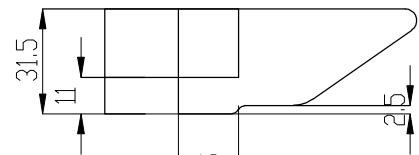
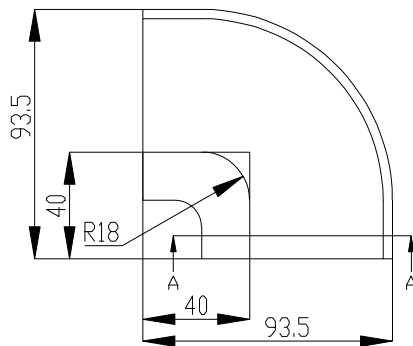
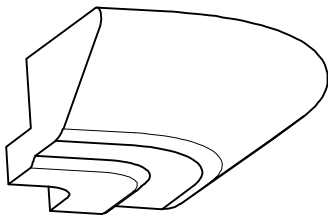
### Curved Plinth



**Product Information**  
Veneered PLY sanded

**Product Code**  
42CURVEPLINTH

### Radius End Cornice

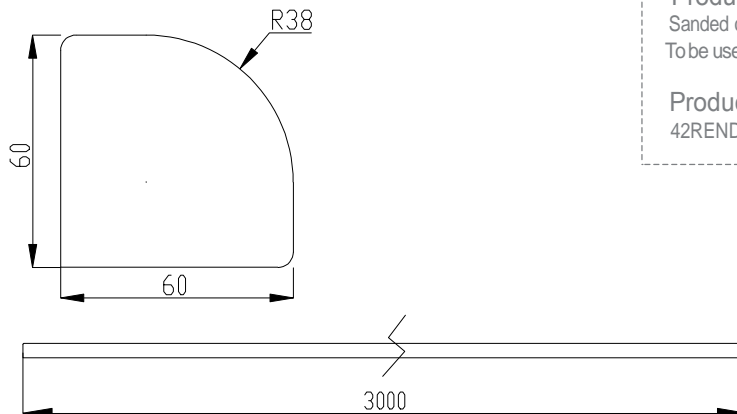
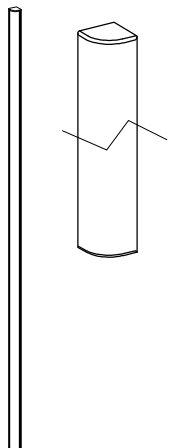


Section Through A-A

**Product Information**  
Sanded oak to be used with radius end pillar

**Product Code**  
42RENDCORNIC

### Radius End Pillar



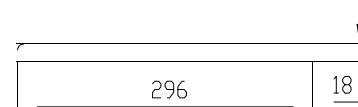
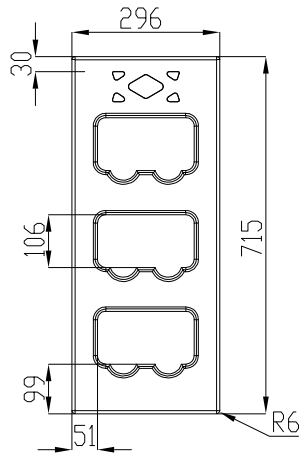
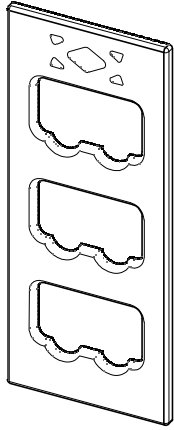
**Product Information**  
Sanded oak  
To be used with radius end cornice

**Product Code**  
42RENDPILLAR

# Classic & Traditional Doors

## Sanded Oak Shaker

### Wine Fascia

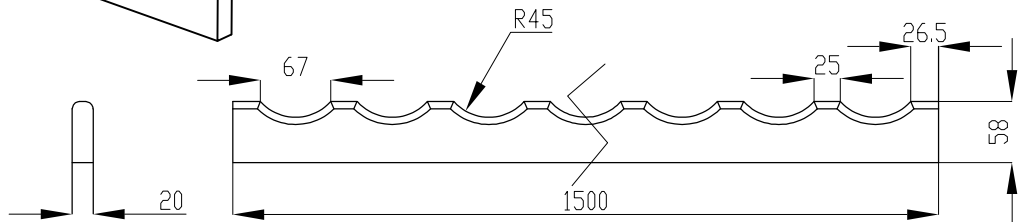
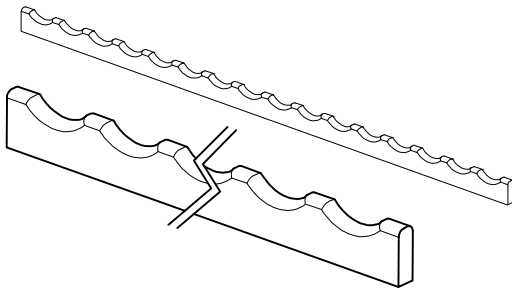


**Product Information**  
Painted Oak Wine Fascia

**Product Code**  
42WINE300\*  
42WINE500

Drawing shown for 25WINE300

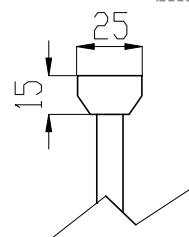
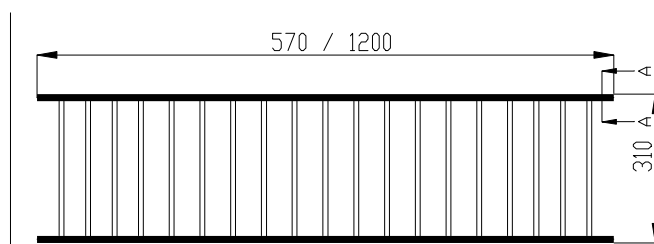
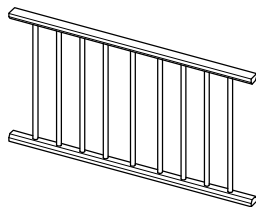
### Bottle Rack



**Product Information**  
Sanded oak bottle rack

**Product Code**  
42BOTTLE

### Plate Rack



Section Through A-A

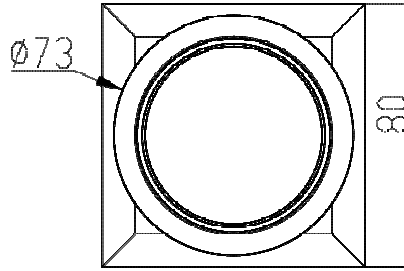
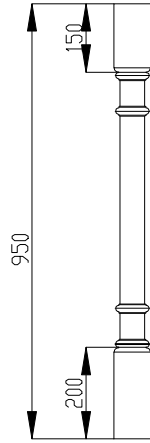
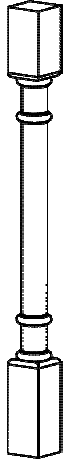
**Product Information**  
Sanded Oak

**Product Code**  
42PLATE57  
42PLATE120

# Classic & Traditional Doors

## Sanded Oak Shaker

### Floor Column

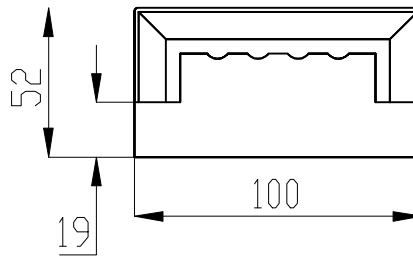
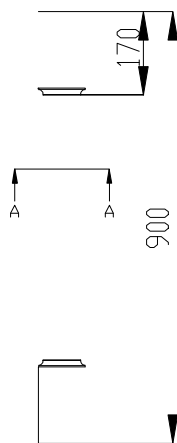


Section Through A-A

**Product Information**  
Sanded oak floor column

**Product Code**  
42COLUMN

### Reeded Pilaster

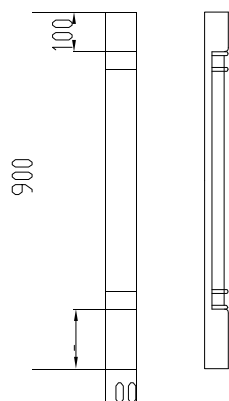


Section Through A-A

**Product Information**  
Sanded oak reed pilaster

**Product Code**  
42PREED

### Barrel Pilaster



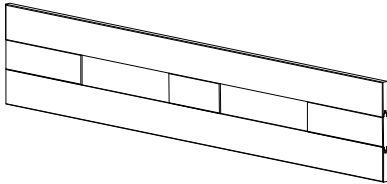
**Product Information**  
Sanded oak barrel pilaster

**Product Code**  
42PBARREL

# Classic & Traditional Doors

## Sanded Oak Shaker

### Mantel Top

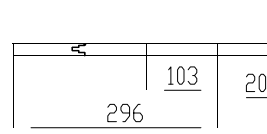
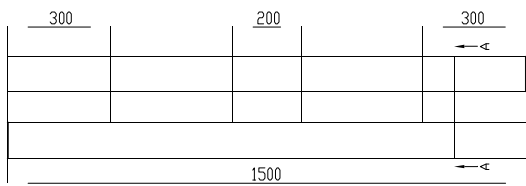


#### Product Information

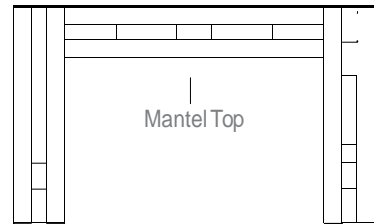
5pc mantel top with flat centre panel and feature joints / Sanded solid oak frame, veneer centre panel.

#### Product Code

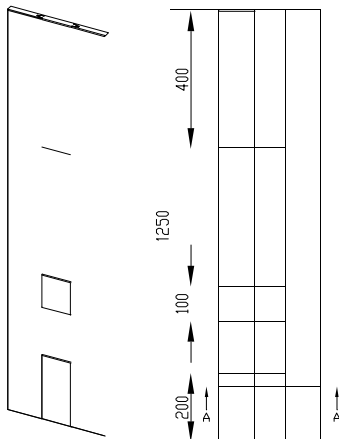
42MANTELTOP / 42MANTEL KIT: 1 X MANTEL TOP / 2 X MANTEL SIDES / 2 MANTEL BRACKETS / 1 X MANTEL SHELF



Section Through A-A



### Mantel Side

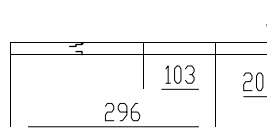


#### Product Information

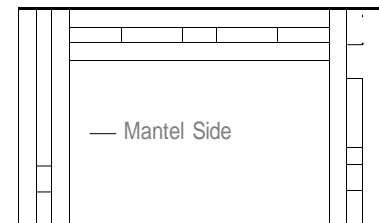
5pc mantel side with flat centre panel and feature joints / Sanded solid oak frame, veneered centre panel

#### Product Code

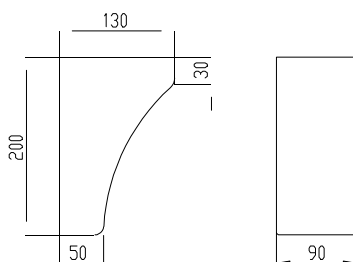
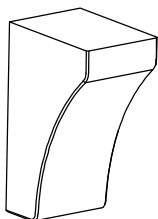
42MANTELSIDE / 42MANTEL KIT: 1 X MANTEL TOP / 2 X MANTEL SIDES / 2 MANTEL BRACKETS / 1 X MANTEL SHELF



Section Through A-A



### Mantel Bracket

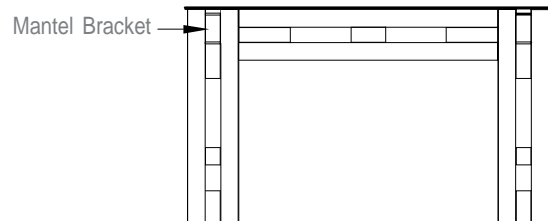


#### Product Information

Solid mantel bracket to fit with mantel side / Sanded oak

#### Product Code

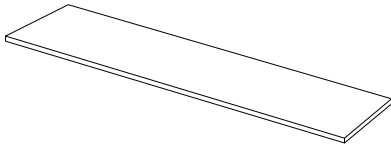
42MANTELBKT  
42MANTEL KIT: 1 X MANTEL TOP / 2 X MANTEL SIDES / 2 MANTEL BRACKETS / 1 X MANTEL SHELF



# Classic & Traditional Doors

## Sanded Oak Shaker

### Mantel Shelf



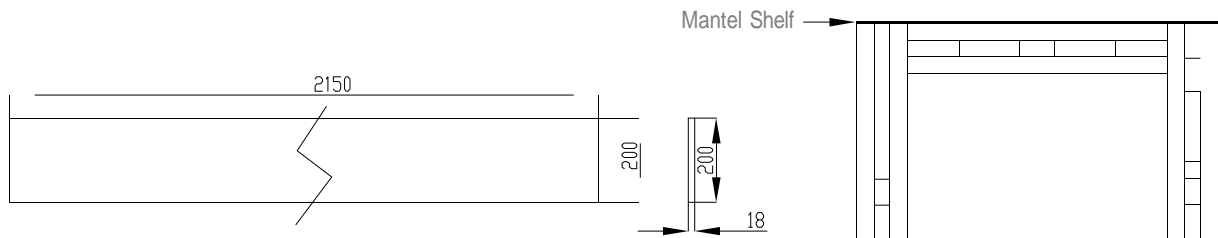
#### Product Information

5pc mantel top with flat centre panel and feature joints / Sanded oak timber veneer

#### Product Code

42MANTELSHELF

42MANTEL KIT: 1 X MANTEL TOP / 2 X MANTEL SIDES /  
2 MANTEL BRACKETS / 1 X MANTEL SHELF



# Classic & Traditional Doors

## New England

### New England

A timeless design. New England cleverly combines traditional Oak timber and an in-frame style to create an aesthetic rural idyll. The use of black, traditionally styled handles produce a truly refined look.



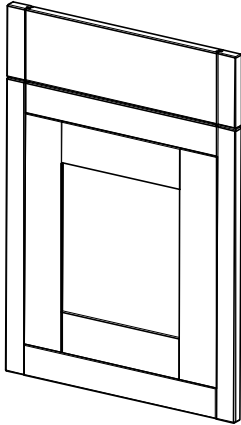
 <p><b>Suggested MFC Board Match</b> Egger H3368</p>	<h4>Handle Suggestions</h4>  <p>Handle &amp; Backplate 75311</p>  <p>Cage Oval Knob 75930</p>  <p>Shaker Handle 7587</p> <p><small>Handle shown on display / door image Handle &amp; Backplate 75310</small></p>
---	---

\* The Premium Timber stamp of approval applies to doors that are made from real wood or real wood veneers.



# Classic & Traditional Doors

## New England



### Product Information

Product Description	9pc door with flat centre panel
Product Colour	Natural oak
Product Finish	Semi gloss
Base Material	Oak, centre panel is oak veneer
Base Thickness	20mm
Covering Material	Lacquer
Covering Thickness	Negligible
Edging Material	Lacquer
Edging Colour	To match with face
Reverse Colour	To match with face
Product Dimension	Standard door and drawer range



This door is available as a painted option. Please see 'Premium Hand Painted' doors section for further details

Painted colour shown: White



### Additional Information

9pc door with flat centre panel  
 Accessories are solid timber/veneered and lacquered  
 All glazed doors have a clear toughened glass  
 2400mm tall end panels are edged 2 long; all other end panels are edged all round

### Door & Accessory Descriptions

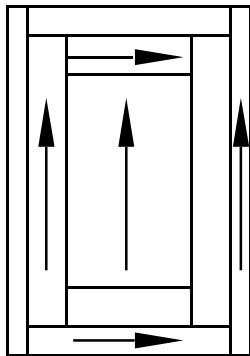
CODE	DESCRIPTION	CODE	DESCRIPTION	CODE	DESCRIPTION
2311059	110 x 596	2357059	570 x 596	23END78035	END PANEL 780 x 350mm
2314029	140 x 296	2371514	715 x 147	23END90065	END PANEL 900 x 650mm
2314039	140 x 396	2371527	715 x 277	23END240065	END PANEL 2400 x 650mm
2314044	140 x 446	2371529	715 x 296	23CORNICE	CORNICE
2314049	140 x 496	2371531	715 x 313	23PELMET	LIGHT RAIL
2314059	140 x 596	2371534	715 x 346	23CORNICESQ	CORNICE SQ*
2314079	140 x 796	2371539	715 x 396	23WINE300	WINE FASCIA 715 x 295mm
2314089	140 x 896	2371544	715 x 446	23PLINTH	PLINTH 150 x 2440mm
2314099	140 x 996	2371549	715 x 496	23CAN600	CANOPY 600 x 180 x 455mm
2317539	175 x 396	2371559	715 x 596	23PILASTER	PILASTER
2317549	175 x 496	2389529	895 x 296		
2317559	175 x 596	2389539	895 x 396		
2328349	283 x 496	2389544	895 x 446		
2328359	283 x 596	2389549	895 x 496		
2328379	283 x 796	2389559	895 x 596		
2328389	283 x 896	2398059	980 x 596		
2328399	283 x 996	23124529	1245 x 296		
2335549	355 x 496	23124539	1245 x 396		
2335559	355 x 596	23124549	1245 x 496		
2335579	355 x 796	23124559	1245 x 596		
2335589	355 x 896	23F57059	570 x 596 FRAME		
2335599	355 x 996	23F71549	715 x 496 FRAME		
2345059	450 x 596	23F71559	715 x 596 FRAME		
2349559	495 x 596	23F89549	895 x 496 FRAME		
2357029	570 x 296	23F89559	895 x 596 FRAME		
2357039	570 x 396	23G71549	715 x 496 GLAZED		
2357044	570 x 446	23G71559	715 x 596 GLAZED		
2357049	570 x 496	23G89549	895 x 496 GLAZED		

\* Available on a 3 week lead time

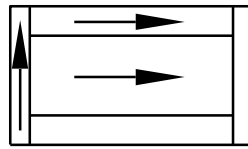
# Classic & Traditional Doors

## New England

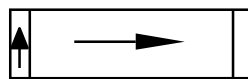
### Grain Direction



Door Grain Direction

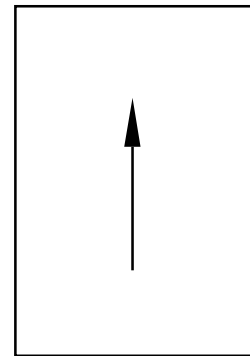


283 / 355mm



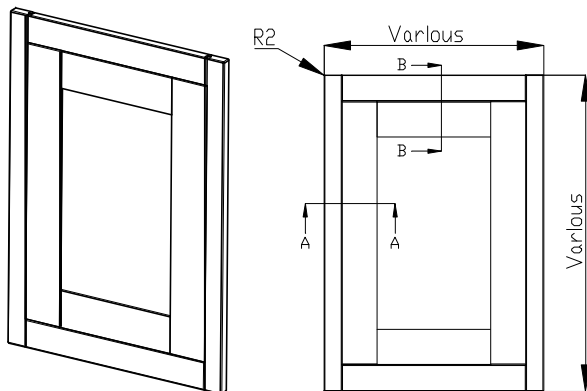
110 / 140 / 175mm

Drawer Grain Direction



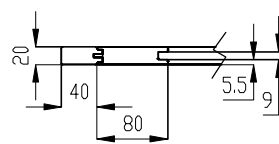
Panel Grain Direction

### Door

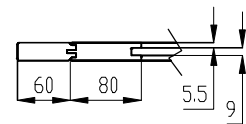


#### Product Information

9pc door with flat centre panel  
Lacquered natural oak  
Veneered centre panel  
715 x 147 door is a slab door

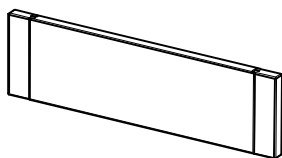


Section Through A-A



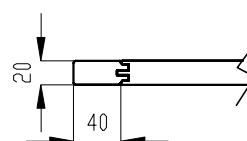
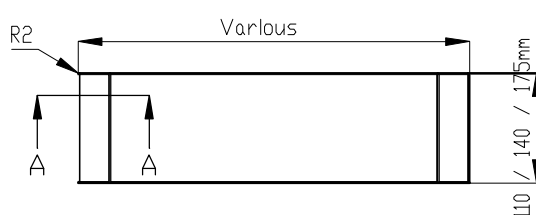
Section Through B-B

### Drawer (3 Piece)



#### Product Information

Drawer for 110 / 140 / 175mm tall drawers  
Lacquered natural oak

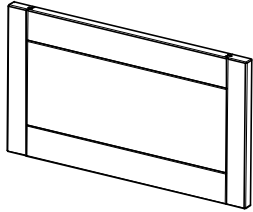


Section Through A-A

# Classic & Traditional Doors

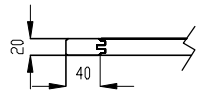
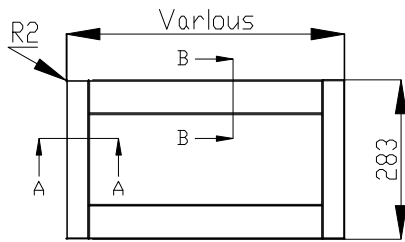
## New England

### Drawer (5 Piece)

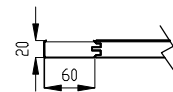


#### Product Information

5pc piece drawer for 283mm tall drawers  
 355mm drawer height is based on the door design  
 Lacquered natural oak

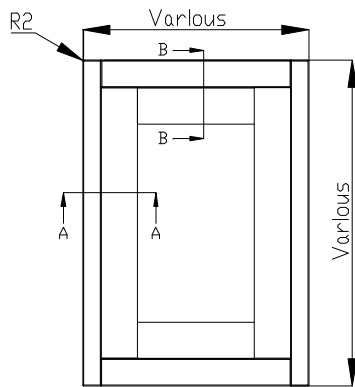
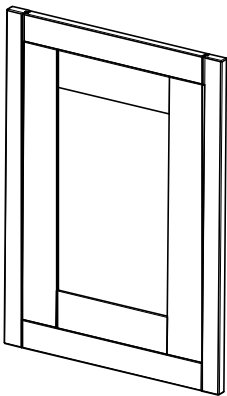


Section Through A-A



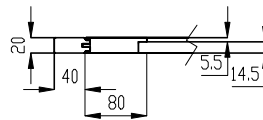
Section Through B-B

### Frame Door

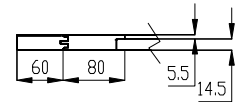


#### Product Information

Frame door  
 Lacquered natural Oak  
 Open frame

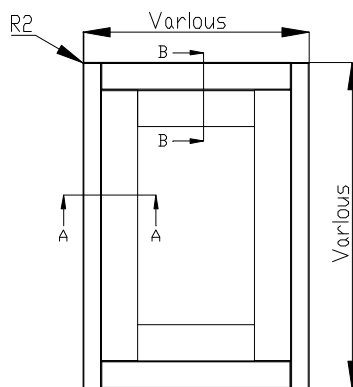
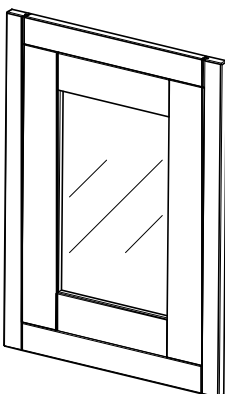


Section Through A-A



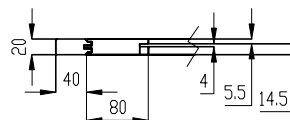
Section Through B-B

### Glazed Frame Door

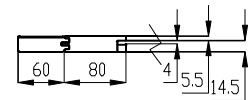


#### Product Information

Glazed door  
 Lacquered natural Oak  
 Clear toughened glass



Section Through A-A

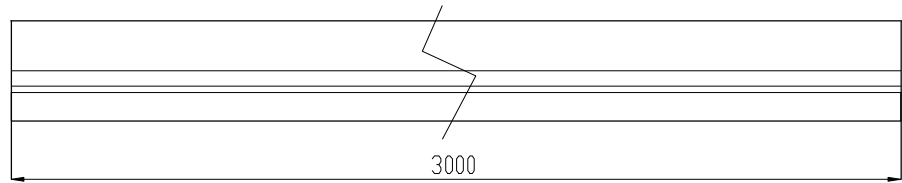
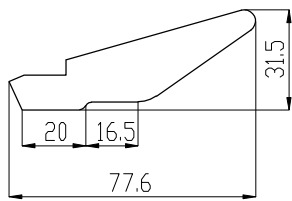
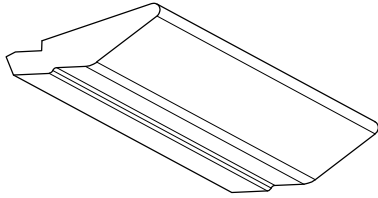


Section Through B-B

# Classic & Traditional Doors

## New England

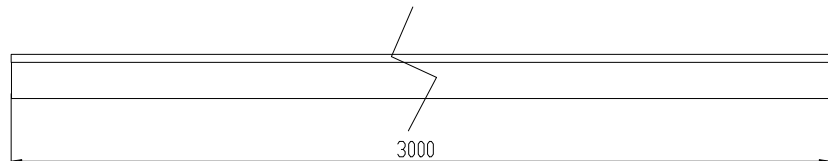
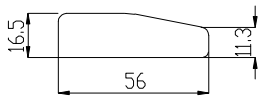
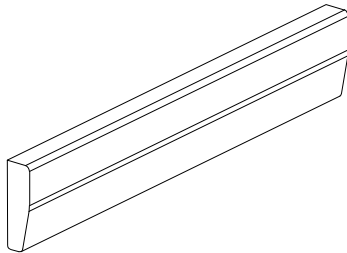
### Cornice



Product Information  
Veneered MDF

Product Code  
23CORNICE

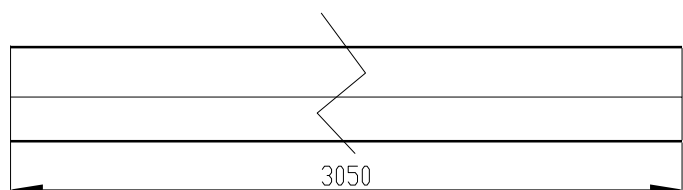
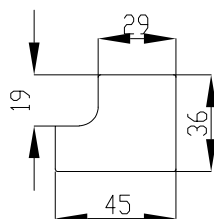
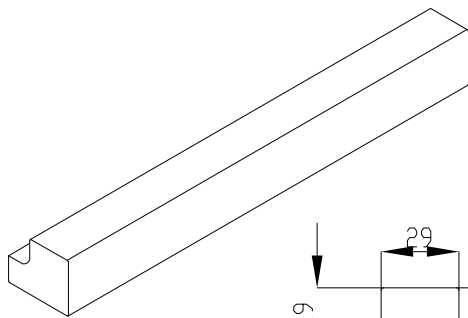
### Light Rail



Product Information  
Veneered MDF

Product Code  
23PELMET

### Square End Straight Cornice / Pelmet



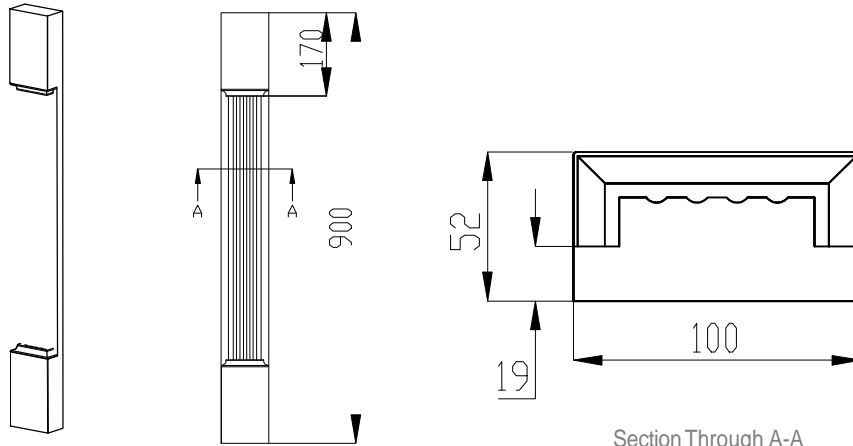
Product Information  
Veneered PLY laminate

Product Code  
23CORNICESQ  
Available on a 3 week lead time

# Classic & Traditional Doors

## New England

### Pilaster

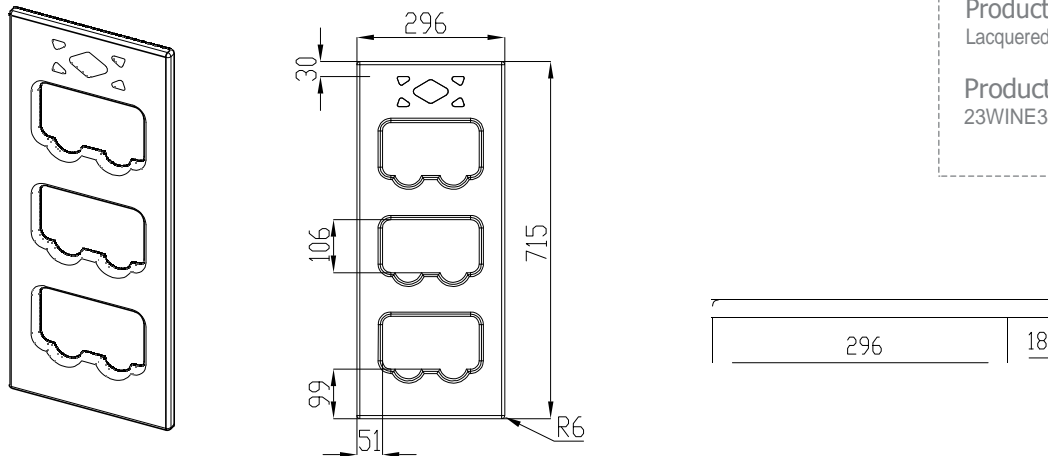


Product Information  
Lacquered Oak Pilaster

Product Code  
23PILASTER

Section Through A-A

### Wine Fascia



Product Information  
Lacquered Oak Wine Fascia

Product Code  
23WINE300

# Classic & Traditional Doors

## Denton Ivory

### Denton Ivory

Classic and elegant, Denton Ivory creates a warm and inviting setting. The distinctive door design accompanied with detailed accessories will enable you to produce an authentic and exclusive environment.



If you require sizes outside the standard stock range then a Made To Measure service is available on a 2 week lead time.

Suggested MFC Board Match  
Egger U104

#### Handle Suggestions



Cream Crackle  
Drop Handle  
75941



Twister Knob  
7590

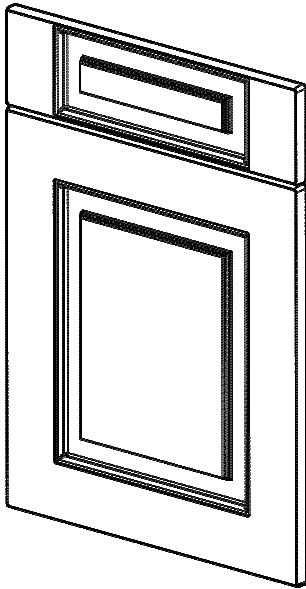


Shaker Handle  
7587

Handle shown on display  
Strap Handle 75439

# Classic & Traditional Doors

## Denton Ivory



### Product Information

Product Description	Door with raised centre panel
Product Colour	Ivory
Product Finish	Matt
Base Material	MDF
Base Thickness	18mm
Covering Material	Vinyl wrapped
Edging Colour	To match with face
Reverse Colour	To match with face
Product Dimension	Standard door and drawer range

### Additional Information

Accessories are vinyl wrapped  
 Frame and clear toughened glazed doors available  
 End panels are pressed all round

If you require sizes outside the standard stock range then a Made To Measure service is available on a 2 week lead time.

### Door & Accessory Descriptions

CODE	DESCRIPTION	CODE	DESCRIPTION	CODE	DESCRIPTION
7611059	110 x 596	7671515	715 x 146	76CURVE*	CURVED DOOR
7614029	140 x 296	7671525	715 x 256	76CORNICE	TRAD CORNICE
7614039	140 x 396	7671527	715 x 277	76CURVECORNICE*	TRAD CURVED CORNICE
7614049	140 x 496	7671529	715 x 296	76PELMET	TRAD PELMET
7614059	140 x 596	7671531	715 x 313	76CURVEPELMET*	TRAD CURVED PELMET
7614079	140 x 796	7671534	715 x 345	76PLINTH	PLINTH 2400 x 150mm
7614089	140 x 896	7671539	715 x 396	76CURVEPLINTH*	CURVED PLINTH
7614099	140 x 996	7671544	715 x 446	76FRAIL	FLUTED RAIL 2500 x 60mm
7617539	175 x 396	7671549	715 x 496	76CURVEDFRAIL*	CURVED FLUTED RAIL 315 x 315 x 60mm
7617549	175 x 496	7671554	715 x 546	76OVERMANTLE**	OVERMANTLE COMPLETE
7617559	175 x 596	7671559	715 x 596	76PREED	PILASTER - REED
7628349	283 x 496	7689529	895 x 296	76PTWIST	PILASTER - TWIST
7628359	283 x 596	7689539	895 x 396	76PBARREL	PILASTER - BARREL
7628379	283 x 796	7689544	895 x 446	76ETG78035	T&G PANEL 780 x 350mm
7628389	283 x 896	7689549	895 x 496	76ETG90065	T&G PANEL 900 x 650mm
7628399	283 x 996	7689559	895 x 596	76ETG24065	T&G PANEL 2400 x 650mm
7635549	355 x 496	7698059	980 x 596	3027F	FITTERS PANEL 2100 x 610mm
7635559	355 x 596	76124529	1245 x 296		
7635579	355 x 796	76124539	1245 x 396		
7635589	355 x 896	76124549	1245 x 496		
7635599	355 x 996	76124559	1245 x 596		
7645059	450 x 596	76F71539	715 x 396 FRETTED FRAME		
7649059	490 x 596	76F71549	715 x 496 FRETTED FRAME		
7657029	570 x 296	76F71559	715 x 596 FRETTED FRAME		
7657039	570 x 396	76F89539	895 x 396 FRETTED FRAME		
7657049	570 x 496	76F89549	895 x 496 FRETTED FRAME		
7657059	570 x 596	76F89559	895 x 596 FRETTED FRAME		
		76F106149	1061 x 496 FRETTED FRAME		
		76F106159	1061 x 596 FRETTED FRAME		

\* The curved door has a bespoke radius and therefore it will not work with CRAFTSMAN LTD Stock curved carcasses. Curved door drawings are available on request.

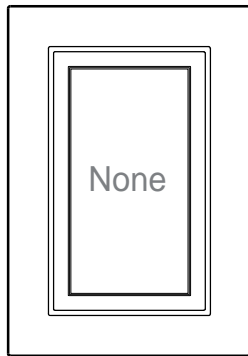
A separate curved carcass for Denton Ivory is available 83DENTONRADIUS

\*\* Overmantle complete (1800mm width) consists of the following components:  
 2 X Denton Ivory doors 715 x 296mm  
 1 X Fascia arch 1800 x 350mm  
 2 X Carved corbels  
 1 X Traditional cornice  
 1 X Shelf 1800 x 200mm  
 1 X Fluted rail

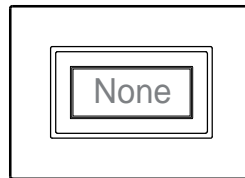
# Classic & Traditional Doors

## Denton Ivory

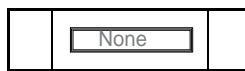
### Grain Direction



Door Grain Direction

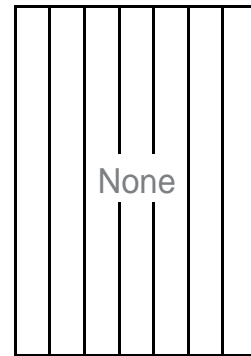


283 / 355mm



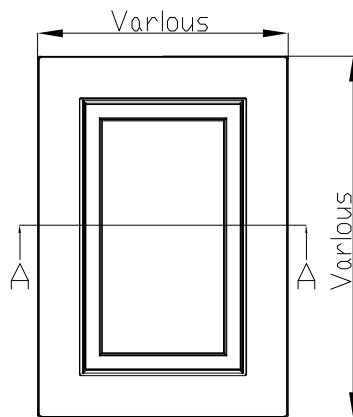
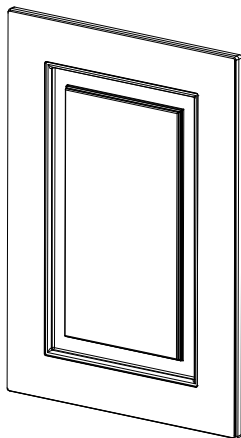
140 / 175mm

Drawer Grain Direction



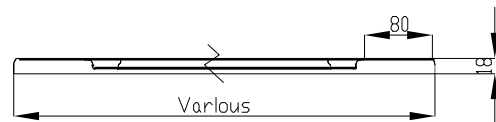
Panel Grain Direction

### Door



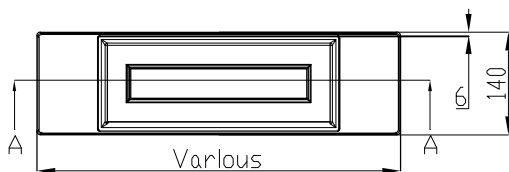
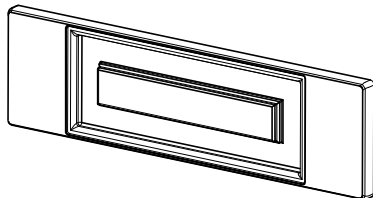
#### Product Information

Door with raised centre panel  
Vinyl wrapped  
715 x 147 door is a slab door  
110 x 596 drawer is a slab drawer



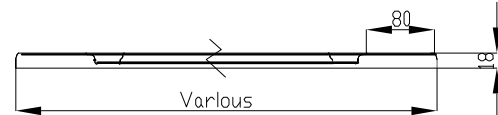
Section Through A-A

### Drawer - 140mm



#### Product Information

140mm tall drawer with raised  
centre panel  
Vinyl wrapped



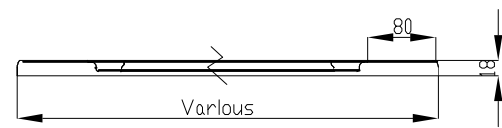
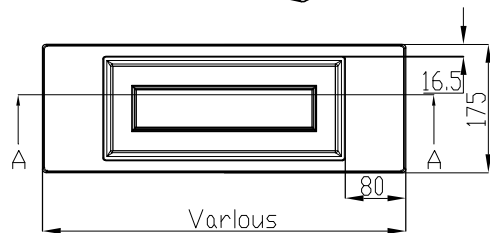
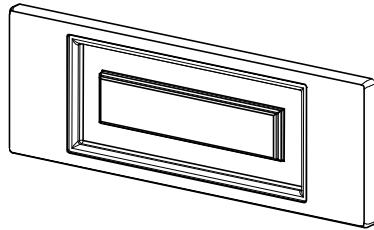
Section Through A-A



# Classic & Traditional Doors

## Denton Ivory

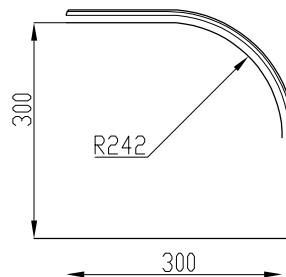
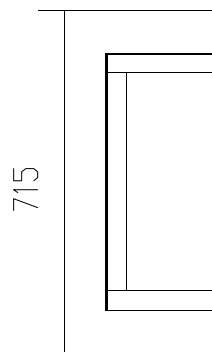
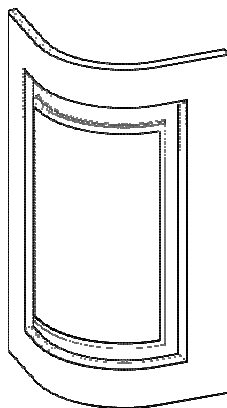
### Drawer - 175mm



Section Through A-A

**Product Information**  
 175mm tall drawer with raised  
 centre panel  
 Vinyl wrapped

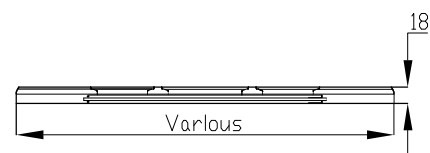
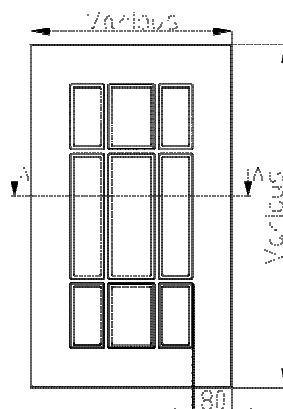
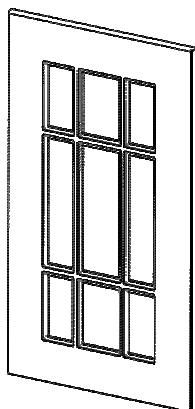
### Curved Door



**Product Information**  
 Curved door with raised centre  
 panel  
 Vinyl wrapped  
 Curved doors and accessories  
 have a different radius to other  
 CRAFTSMAN LTD products.  
 This product will not work with  
 CRAFTSMAN LTD stock  
 curved carcasses

**Product Code 76CURVE**

### Fretted Frame



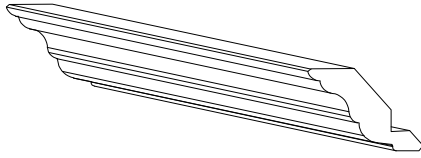
Section Through A-A

**Product Information**  
 Fretted Frame  
 Vinyl wrapped

# Classic & Traditional Doors

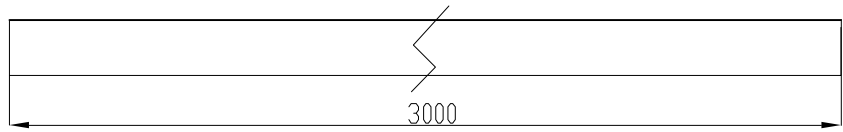
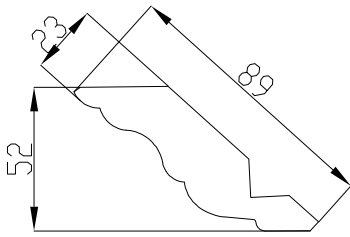
## Denton Ivory

### Traditional Cornice

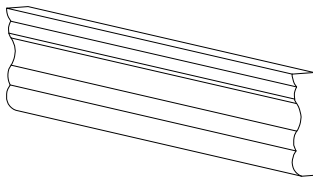


Product Information  
Traditional Cornice  
Vinyl wrapped

Product Code  
76CORNICE

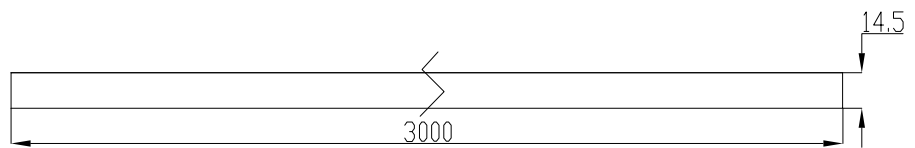
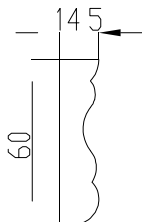


### Traditional Pelmet

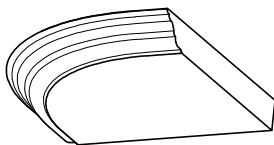


Product Information  
Traditional Pelmet  
Vinyl wrapped

Product Code  
76PELMET

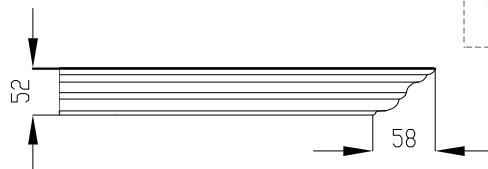
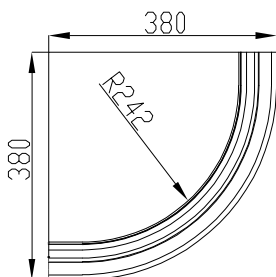


### Curved Traditional Cornice



Product Information  
Curved traditional cornice  
Vinyl wrapped  
Curved doors and accessories have a different radius to other CRAFTSMAN LTD products. This product will not work with CRAFTSMAN LTD stock curved carcasses

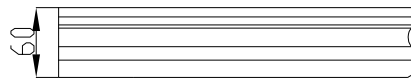
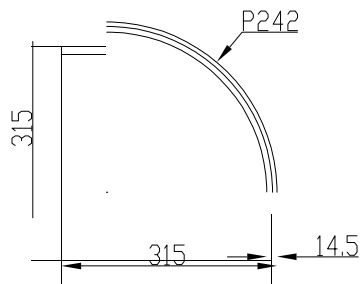
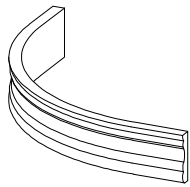
Product Information  
76CURVECORNICE



# Classic & Traditional Doors

## Denton Ivory

### Curved Traditional Pelmet



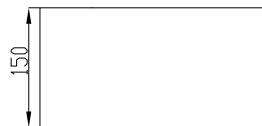
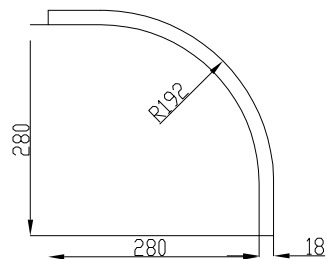
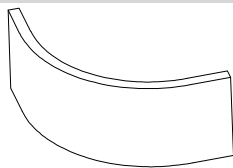
#### Product Information

Curved traditional pelmet  
Vinyl wrapped  
Curved doors and accessories have a different radius to other CRAFTSMAN LTD products. This product will not work with CRAFTSMAN LTD stock curved carcasses

#### Product Information

76CURVEPELMET

### Curved Plinth



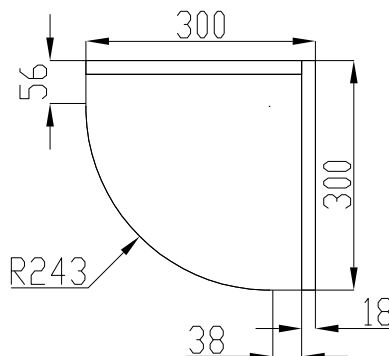
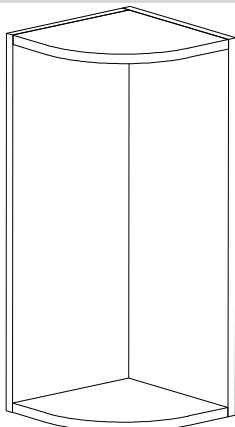
#### Product Information

Curved plinth  
Vinyl wrapped  
Curved doors and accessories have a different radius to other CRAFTSMAN LTD products. This product will not work with CRAFTSMAN LTD stock curved carcasses

#### Product Information

76CURVEPLINTH

### DENTON IVORY Radius Carcase (External Curve)



#### Product Information

Radius carcase to be used with DENTON IVORY curved door ONLY

Carcase height: 720mm  
For use on a wall or as a feature base

Includes 1 shelf

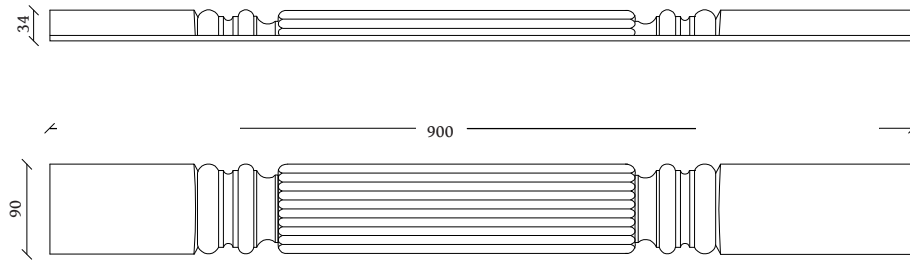
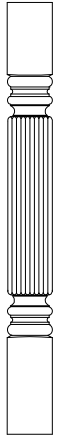
Only available in Ivory

CODE: 83DENTONRADIUS

# Classic & Traditional Doors

## Denton Ivory

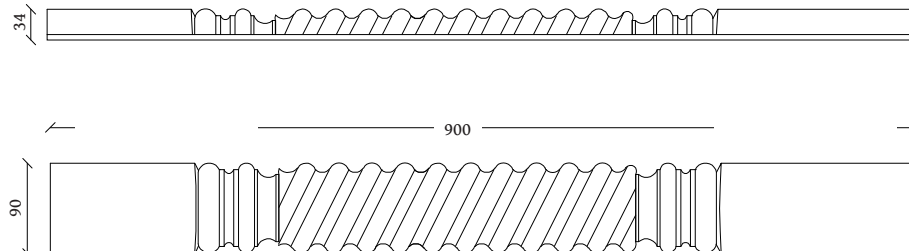
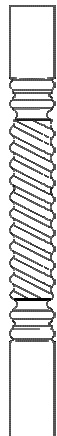
### Pilaster - Reed



Product Information  
Pilaster - Reed  
Vinyl wrapped

Product Code  
76PREED

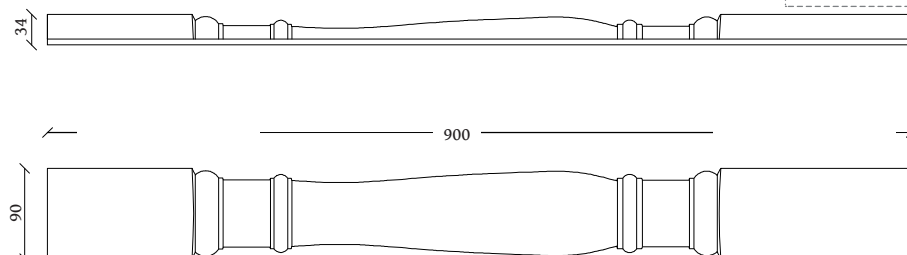
### Pilaster - Twist



Product Information  
Pilaster - Twist  
Vinyl wrapped

Product Code  
76PTWIST

### Pilaster - Barrel



Product Information  
Pilaster - Barrel  
Vinyl wrapped

Product Code  
76PBARREL

# Classic & Traditional Doors

Denton Ivory



# Classic & Traditional Doors

## Dakota

### Dakota

Subtle styling combined with character Oak creates a warm, rustic setting. This atmosphere is further enhanced by the inclusion of a traditionally styled range cooker and completed with the use of black cage handles and knobs.



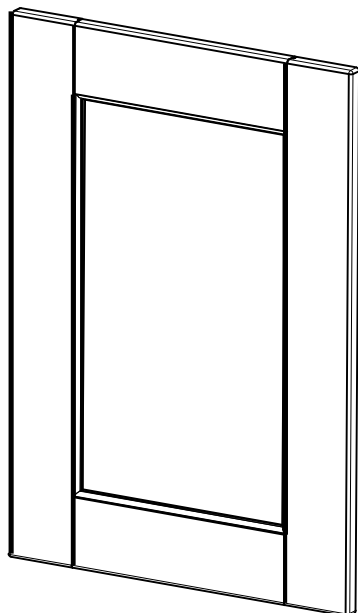
	<h4>Handle Suggestions</h4>								
<p>Suggested MFC Board Match Egger H3368</p>	<table border="0"> <tr> <td data-bbox="1005 1523 1212 1635"></td> <td data-bbox="1276 1568 1420 1624">Twister Handle 7591</td> </tr> <tr> <td data-bbox="1005 1702 1085 1792"></td> <td data-bbox="1244 1724 1420 1780">Knob and Backplate 75322</td> </tr> <tr> <td data-bbox="1005 1859 1181 1948"></td> <td data-bbox="1276 1881 1420 1937">Shaker Handle 7585</td> </tr> <tr> <td colspan="2" data-bbox="1085 1993 1420 2072"> <p>Handle shown on display / door image Case Oval Knob 75931 &amp; Droo Handle 75933 / Handle &amp; Backplate 75310</p> </td> </tr> </table>		Twister Handle 7591		Knob and Backplate 75322		Shaker Handle 7585	<p>Handle shown on display / door image Case Oval Knob 75931 &amp; Droo Handle 75933 / Handle &amp; Backplate 75310</p>	
	Twister Handle 7591								
	Knob and Backplate 75322								
	Shaker Handle 7585								
<p>Handle shown on display / door image Case Oval Knob 75931 &amp; Droo Handle 75933 / Handle &amp; Backplate 75310</p>									

\*The Premium Timber stamp of approval applies to doors that are made from real wood or real wood veneers.



# Classic & Traditional Doors

## Dakota



### Product Information

Product Description	5pc door with flat centre panel & internal bead
Product Colour	Natural
Product Finish	Semi gloss
Base Material	Pippy oak, centre panel is veneer
Base Thickness	20mm
Covering Material	Lacquer
Edging Material	Lacquer
Edging Colour	To match with face
Reverse Colour	To match with face
Product Dimension	Standard door and drawer range

### Additional Information

5pc door with flat centre panel and internal bead  
 Accessories are solid timber/veneered and lacquered  
 All glazed doors have a clear toughened glass  
 2400mm tall end panels are edged 2 long; all other end panels are edged all round  
 Knots may be visible as this is a natural occurrence and part of the timbers characteristic.

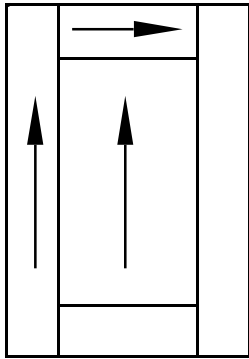
### Door & Accessory Descriptions

CODE	DESCRIPTION	CODE	DESCRIPTION	CODE	DESCRIPTION
3511059	110 x 596	3357059	570 x 596	35END900	T&G END PANEL 900 x 600mm
3514029	140 x 296	3571514	715 x 147	35END2400	T&G END PANEL 2400 x 600mm
3514031	140 x 313	3371525	715 x 256	35PLATE570	PLATE RACK 570mm
3514039	140 x 396	3371527	715 x 277	35PLATE120	PLATE RACK 1200mm
3514044	140 x 446	3371529	715 x 296	35CORNICE	CORNICE
3514049	140 x 496	3371531	715 x 313	35PELMET	LIGHT RAIL
3514059	140 x 596	3371534	715 x 345	35PLINTH	PLINTH 150 x 2440mm
3514079	140 x 796	3371539	715 x 396	35PILASTER	PILASTER
3514089	140 x 896	3371544	715 x 446	35CAN600	CANOPY 600 x 180 x 455mm
3514099	140 x 996	3371549	715 x 496	35CAN1000	CANOPY 1000 x 180 x 455mm
3517539	175 x 396	3371559	715 x 596	35WINE300	WINE FASCIA 715 x 296mm
3517549	175 x 496	3389529	895 x 296	33CURVE	CURVED DOOR
3517559	175 x 596	3389539	895 x 396	33CURVECORNICE	CURVED CORNICE
3328349	283 x 496	3389549	895 x 496	33CURVEPELMET	CURVED LIGHT RAIL
3328359	283 x 596	3389559	895 x 596	33CURVEPLINTH	CURVED PLINTH
3328379	283 x 796	3398059	980 x 596		
3328389	283 x 896	33124529	1245 x 296		
3328399	283 x 996	33124539	1245 x 396		
3335549	355 x 496	33124549	1245 x 496		
3335559	355 x 596	33124559	1245 x 596		
3335579	355 x 796	35F57049	570 x 496 FRAME		
3335599	355 x 996	35F71539	715 x 396 FRAME		
3345059	450 x 596	35F71549	715 x 496 FRAME		
3349059	490 x 596	35F71559	715 x 596 FRAME		
3357029	570 x 296	35F89549	895 x 496 FRAME		
3357031	570 x 313	35G71539	715 x 396 CLEAR GLAZED		
3357039	570 x 396	35G71549	715 x 496 CLEAR GLAZED		
3357044	570 x 446	35G71559	715 x 596 CLEAR GLAZED		
3357049	570 x 496	35G89549	895 x 496 CLEAR GLAZED		

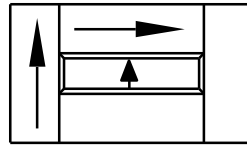
# Classic & Traditional Doors

## Dakota

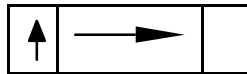
### Grain Direction



Door Grain Direction

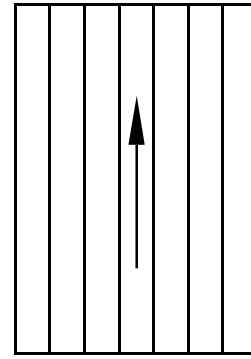


283 / 355mm



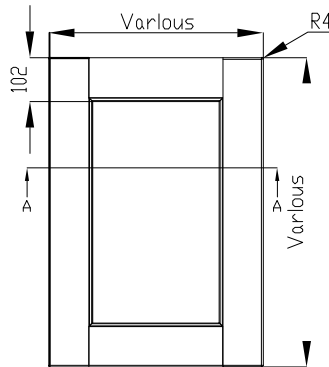
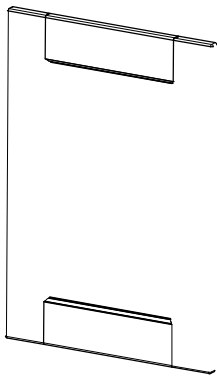
110 / 140 / 175mm

Drawer Grain Direction



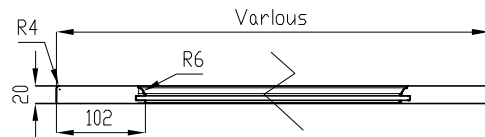
Panel Grain Direction

### Door



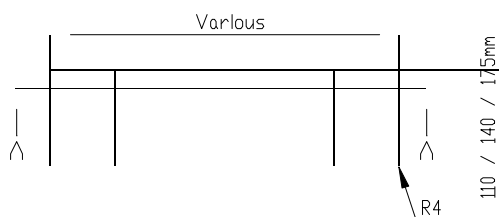
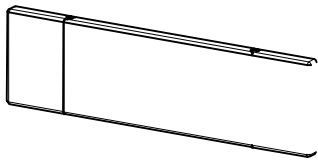
#### Product Information

5pc door with flat centre panel and internal bead  
Lacquered pippy oak  
Veneered panel  
715 x 147 door is a slab door



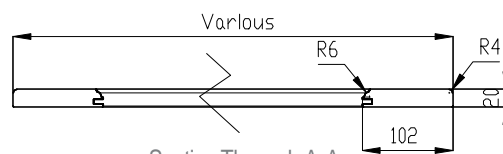
Section Through A-A

### Drawer



#### Product Information

Drawer for 110 / 140 / 175mm tall drawers  
All other drawer heights are based on the door design  
Lacquered pippy oak



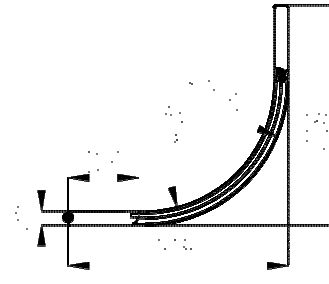
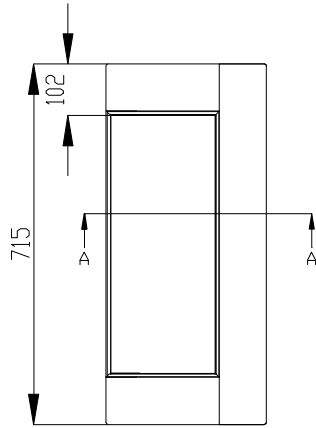
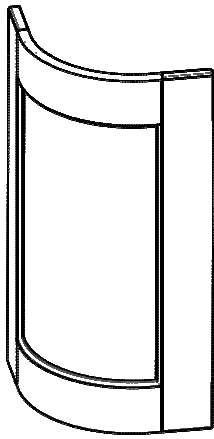
Section Through A-A



# Classic & Traditional Doors

## Dakota

### Curved Door

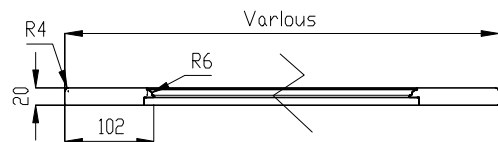
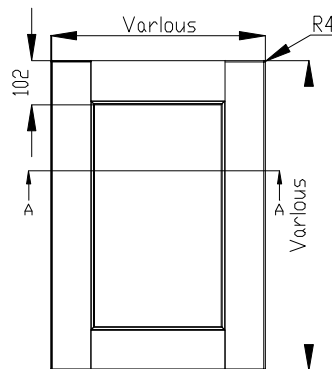
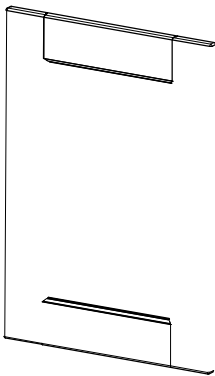


Section Through A-A

**Product Information**  
 5pc piece curved door  
 Lacquered pippy oak  
 Veneered centre panel

**Product Code**  
 33CURVE

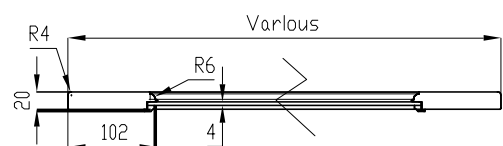
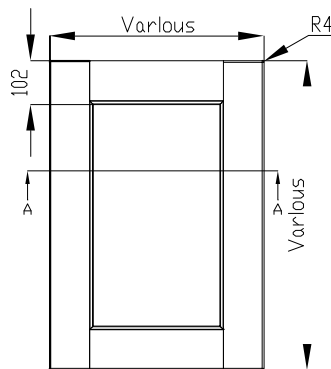
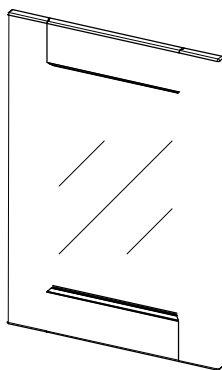
### Frame Door



Section Through A-A

**Product Information**  
 Frame door  
 Lacquered pippy oak  
 Open frame

### Glazed Frame Door



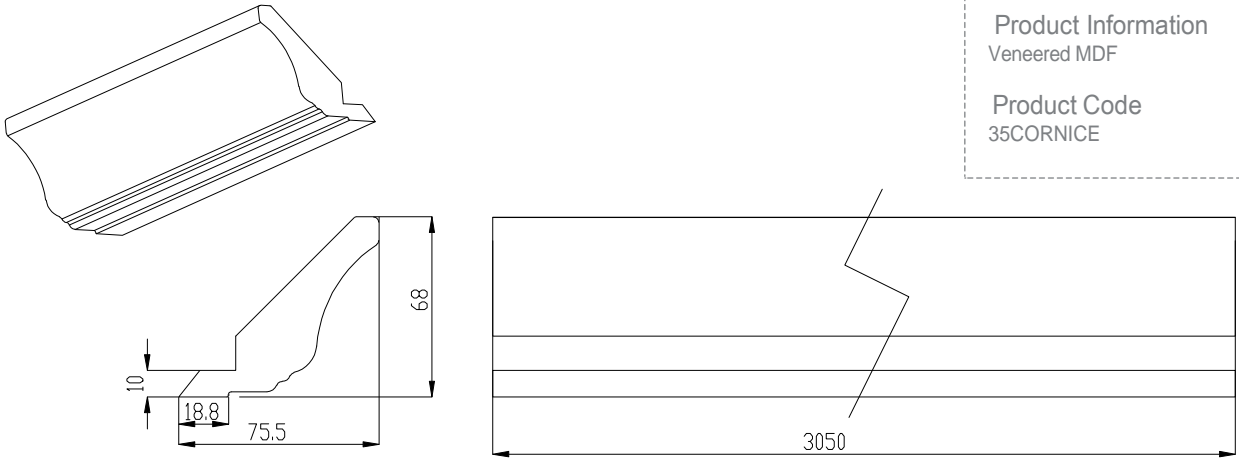
Section Through A-A

**Product Information**  
 Glazed door  
 Lacquered pippy oak  
 Clear glass toughened

# Classic & Traditional Doors

## Dakota

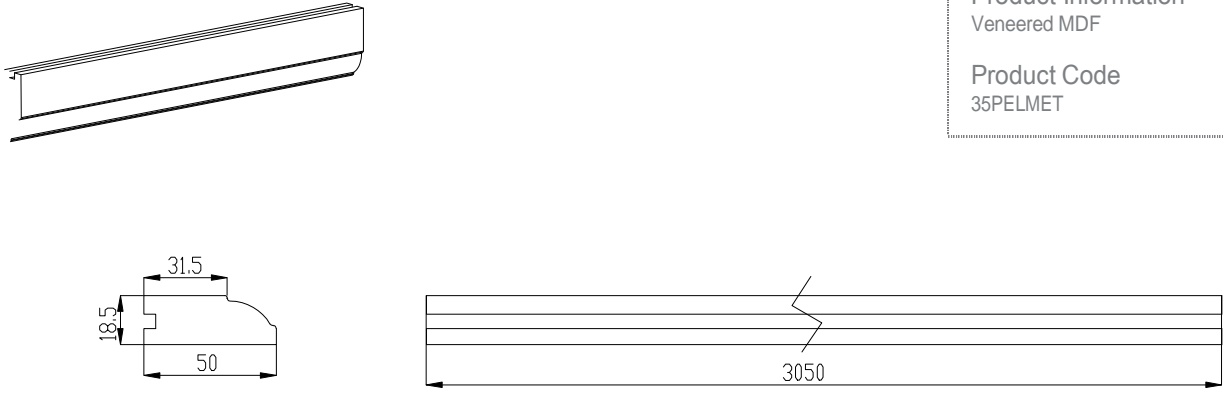
**Cornice**



Product Information  
Veneered MDF

Product Code  
35CORNICE

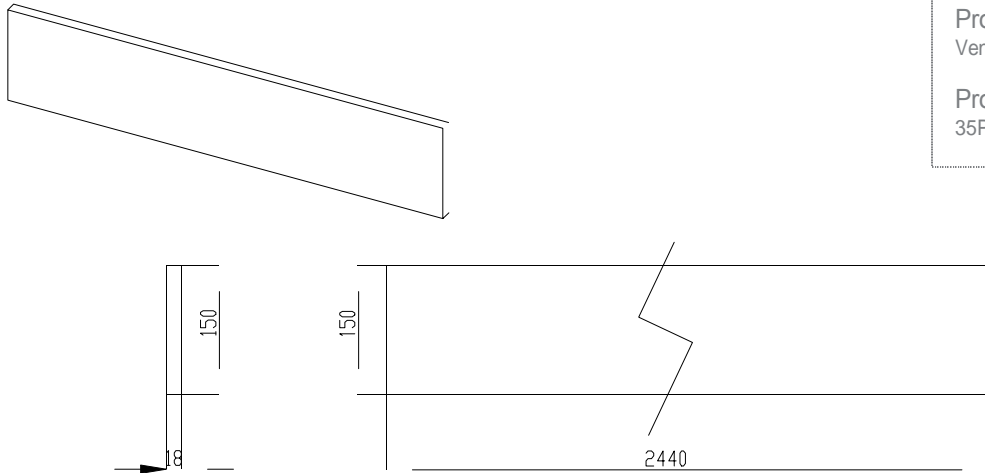
**Light Rail**



Product Information  
Veneered MDF

Product Code  
35PELMET

**Plinth**



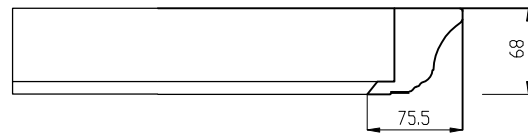
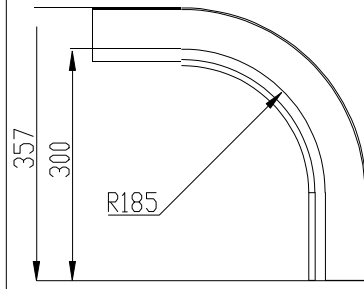
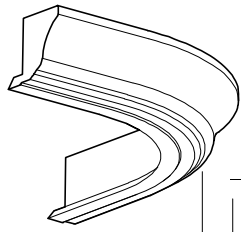
Product Information  
Veneered MDF

Product Code  
35PLINTH

# Classic & Traditional Doors

## Dakota

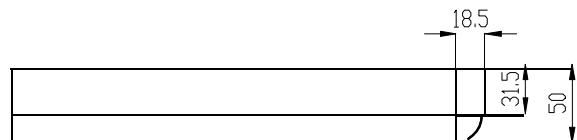
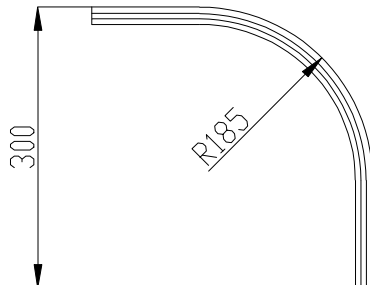
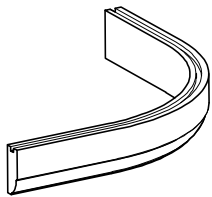
### Curved Cornice



Product Information  
Veneered PLY laminate

Product Code  
33CURVECORNICE

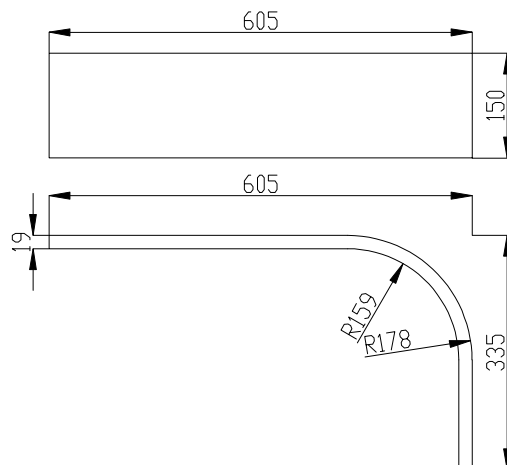
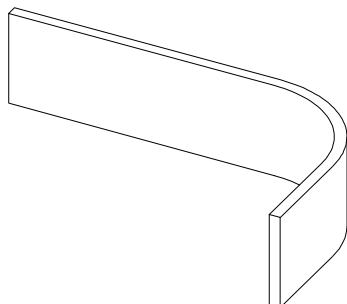
### Curved Light Rail



Product Information  
Veneered PLY laminate

Product Code  
33CURVEPELMET

### Curved Plinth

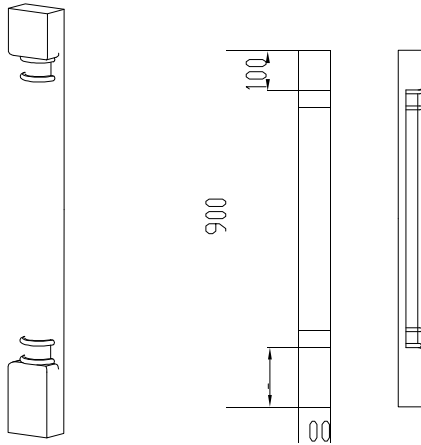


Product Information  
Veneered PLY laminate

Product Code  
33CURVEPLINTH

# Classic & Traditional Doors Dakota

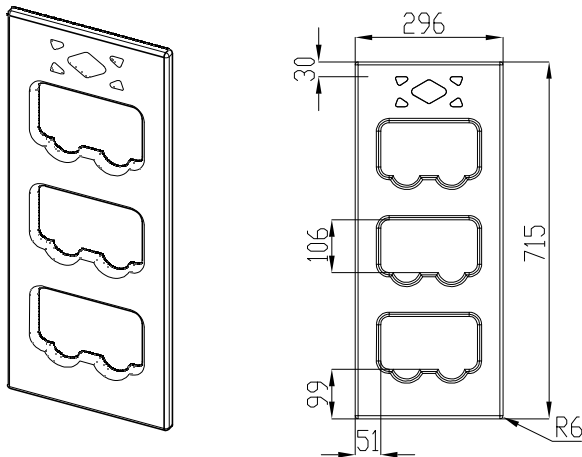
## Pilaster



**Product Information**  
Lacquered oak pilaster

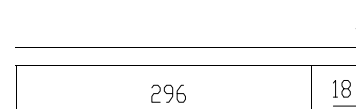
**Product Code**  
35PILASTER

## Wine Fascia

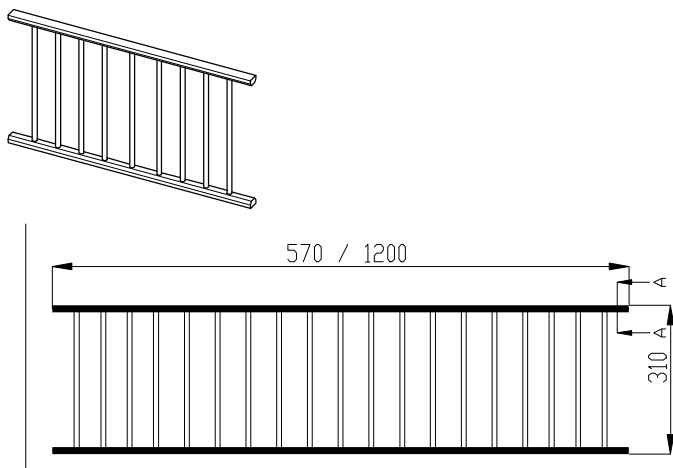


**Product Information**  
Lacquered oak wine fascia

**Product Code**  
35WINE300

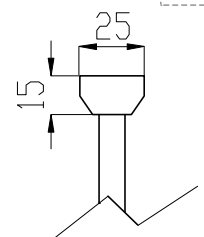


## Plate Rack



**Product Information**  
Lacquered oak plate rack

**Product Code**  
35PLATE570  
35PLATE120



Section Through A-A

# Classic & Traditional Doors

## Maine

### Maine

Character Oak timber doors create a traditional setting. The design of Maine is further enhanced by the raised centre panel which adds to the classically rustic effect that this door brings to its surroundings.

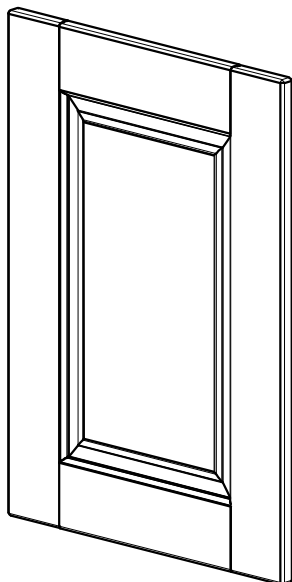


	<h4>Handle Suggestions</h4>
<p>Suggested MFC Board Match Egger H3368</p>	 <p>Cream Crackle Drop Handle 75941</p>
	 <p>Cage Oval Knob 75931</p>
	 <p>Cage Drop Handle 75933</p>
	<p>Handle shown on display / door image Cage Oval Knob 75931 &amp; Drop Handle 75933 / Handle &amp; Backplate 75310</p>

\*The Premium Timber stamp of approval applies to doors that are made from real wood or real wood veneers.

# Classic & Traditional Doors

## Maine



### Product Information

Product Description	5pc door with raised centre panel & internal bead
Product Colour	Natural
Product Finish	Semi gloss
Base Material	Pippy oak
Base Thickness	20mm
Covering Material	Lacquer
Edging Material	Lacquer
Edging Colour	To match with face
Reverse Colour	To match with face
Product Dimension	Standard door and drawer range

### Additional Information

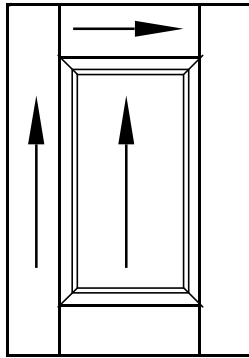
5pc door with raised centre panel and internal bead  
 Accessories are solid timber/veneered and lacquered  
 All glazed doors have a clear toughened glass  
 2400mm tall end panels are edged 2 long; all other end panels are edged all round  
 Knots may be visible as this is a natural occurrence and part of the timbers characteristic.

### Door & Accessory Descriptions

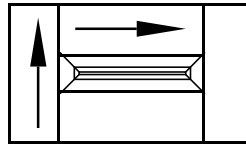
CODE	DESCRIPTION	CODE	DESCRIPTION	CODE	DESCRIPTION
3511059	110 x 596	3571514	715 x 147	35END900	T&GEND PANEL 900 x 600mm
3514029	140 x 296	3571527	715 x 277	35END2400	T&G END PANEL 2400 x 600mm
3514031	140 x 313	3571529	715 x 296	35PLATE570	PLATE RACK 570mm
3514039	140 x 396	3571531	715 x 313	35PLATE120	PLATE RACK 1200mm
3514044	140 x 446	3571534	715 x 345	35CORNICE	CORNICE
3514049	140 x 496	3571539	715 x 396	35PELMET	LIGHT RAIL
3514059	140 x 596	3571544	715 x 446	35PLINTH	PLINTH 150 x 2440mm
3514079	140 x 796	3571549	715 x 496	35PILASTER	PILASTER
3514089	140 x 896	3571559	715 x 596	35CAN600	CANOPY 600 x 180 x 455mm
3514099	140 x 996	3589529	895 x 296	35CAN1000	CANOPY 1000 x 180 x 455mm
3517539	175 x 396	3589539	895 x 396	35WINE300	WINE FASCIA 715 x 295mm
3517549	175 x 496	3589549	895 x 496		
3517559	175 x 596	3589559	895 x 596		
3528349	283 x 496	3598059	980 x 596		
3528359	283 x 596	35124529	1245 x 296		
3528379	283 x 796	35124539	1245 x 396		
3528389	283 x 896	35124549	1245 x 496		
3528399	283 x 996	35124559	1245 x 596		
3535549	355 x 496	35F57049	570 x 496 FRAME		
3535559	355 x 596	35F71539	715 x 396 FRAME		
3535579	355 x 796	35F71549	715 x 496 FRAME		
3535589	355 x 896	35F71559	715 x 596 FRAME		
3535599	355 x 996	35F89539	895 x 396 FRAME		
3545059	450 x 596	35F89549	895 x 496 FRAME		
3549059	490 x 596	35G71539	715 x 396 CLEAR GLAZED		
3557029	570 x 296	35G71549	715 x 496 CLEAR GLAZED		
3557031	570 x 313	35G71559	715 x 596 CLEAR GLAZED		
3557039	570 x 396	35G89549	895 x 496 CLEAR GLAZED		
3557044	570 x 446				
3557049	570 x 496				
3557059	570 x 596				

# Classic & Traditional Doors Maine

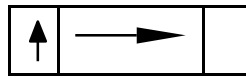
## Grain Direction



Door Grain Direction

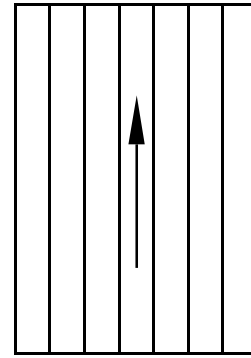


283 / 355mm



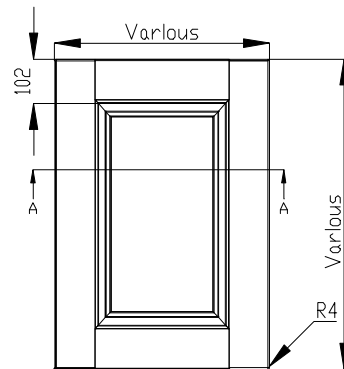
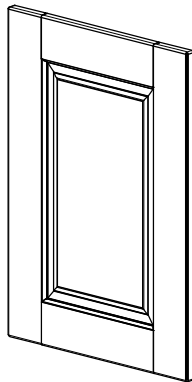
110 / 140 / 175mm

Drawer Grain Direction



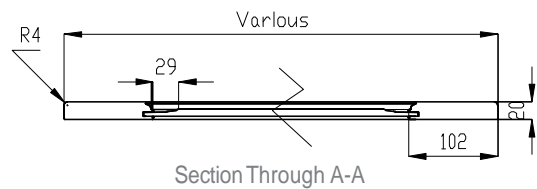
Panel Grain Direction

## Door

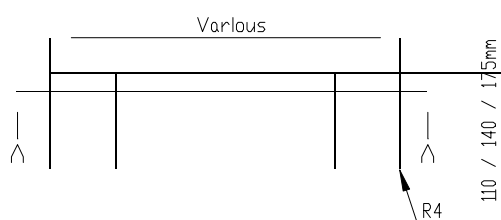
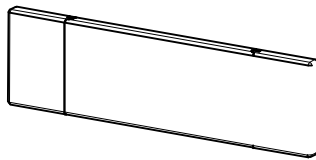


### Product Information

5pc door with raised centre panel and internal bead  
Lacquered pippy oak  
715 x 147 door is a slab door

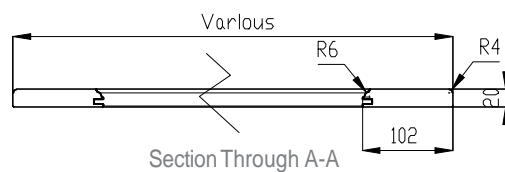


## Drawer



### Product Information

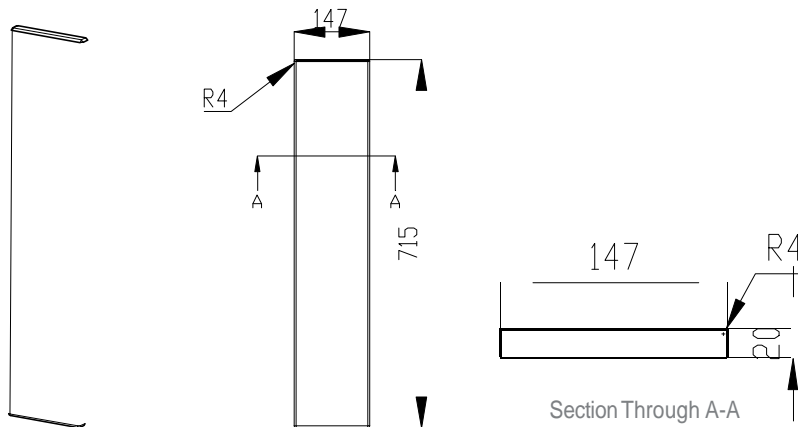
Drawer for 110 / 140 / 175mm tall drawers  
All other drawer heights are based on the door design  
Lacquered pippy oak



# Classic & Traditional Doors

## Maine

### Slab Door

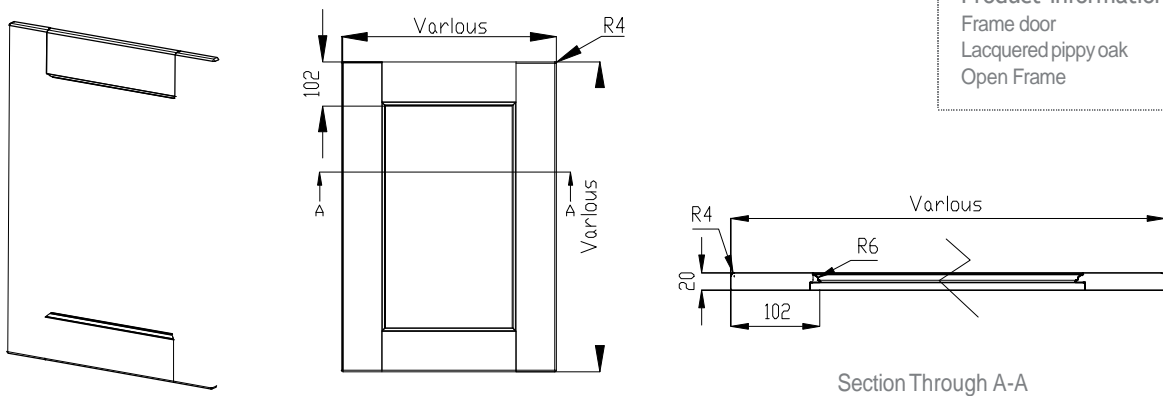


#### Product Information

Slab door  
Lacquered pippy oak

Product Code  
3571514

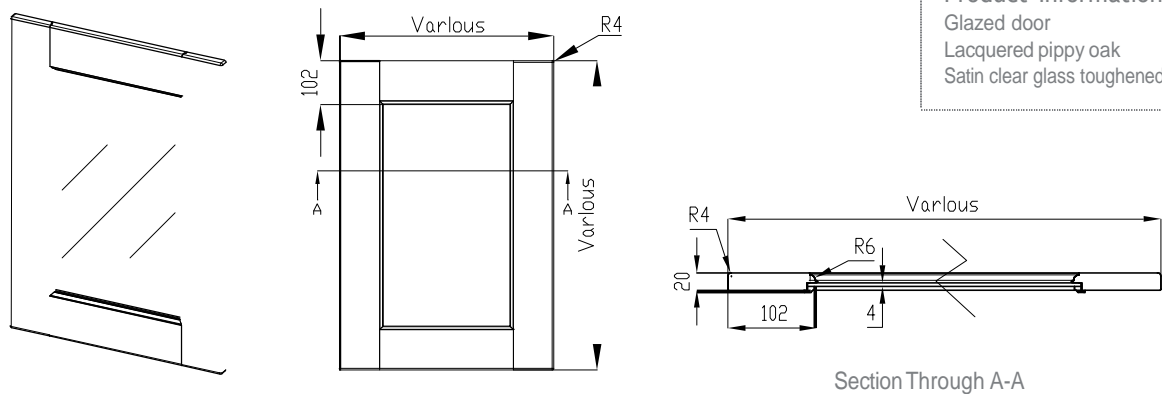
### Frame Door



#### Product Information

Frame door  
Lacquered pippy oak  
Open Frame

### Glazed Frame Door



#### Product Information

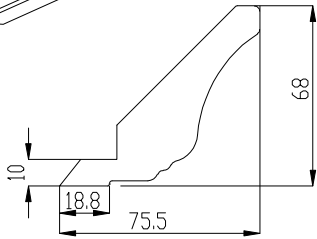
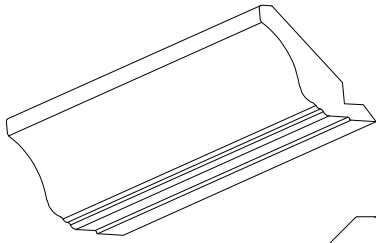
Glazed door  
Lacquered pippy oak  
Satin clear glass toughened



# Classic & Traditional Doors

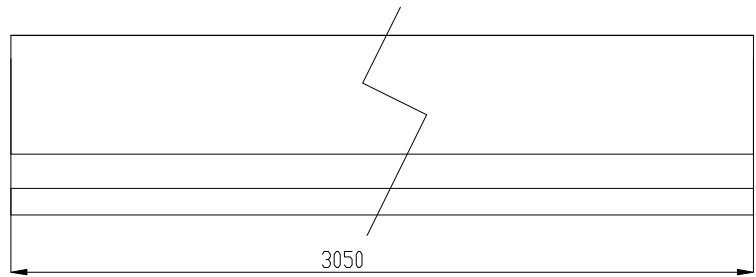
## Maine

### Cornice

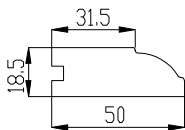
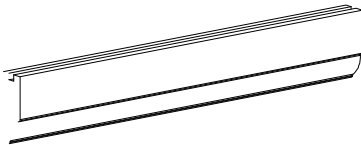


Product Information  
Veneered MDF

Product Code  
35CORNICE

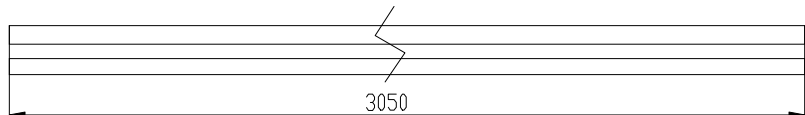


### Light Rail

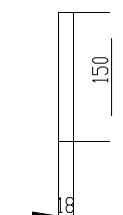
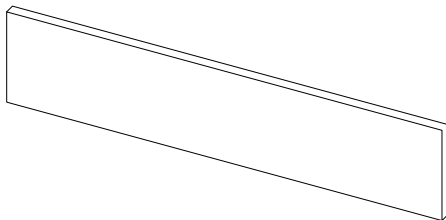


Product Information  
Veneered MDF

Product Code  
35PELMET

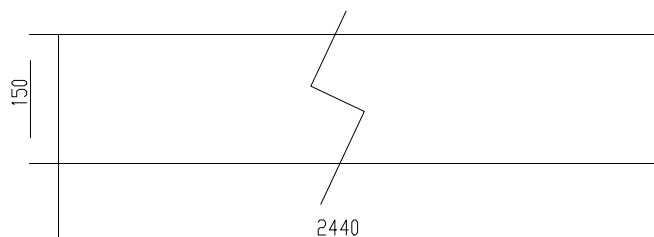


### Plinth



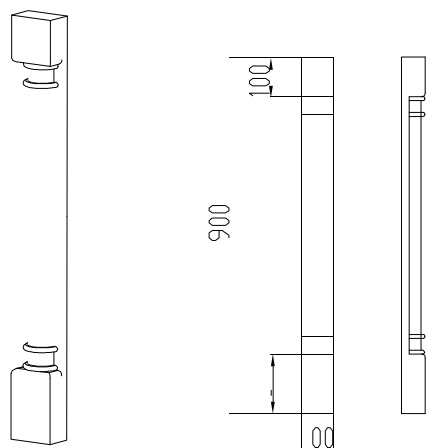
Product Information  
Veneered MDF

Product Code  
35PLINTH



# Classic & Traditional Doors Maine

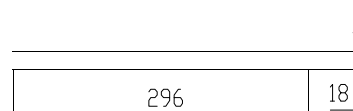
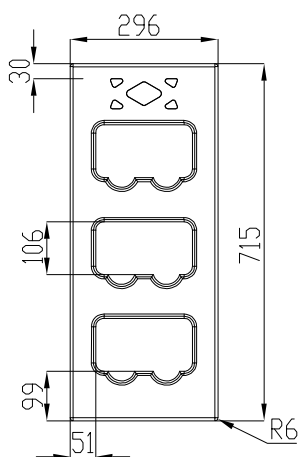
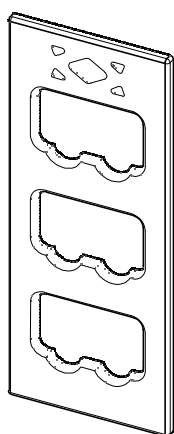
## Pilaster



**Product Information**  
Lacquered oak pilaster

**Product Code**  
35PILASTER

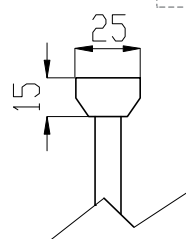
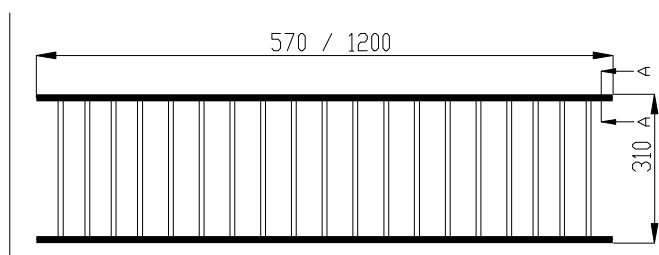
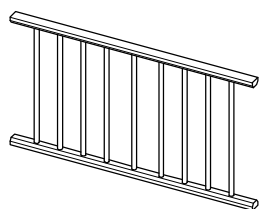
## Wine Fascia



**Product Information**  
Lacquered oak wine fascia

**Product Code**  
35WINE300

## Plate Rack



Section Through A-A

**Product Information**  
Lacquered oak plate rack

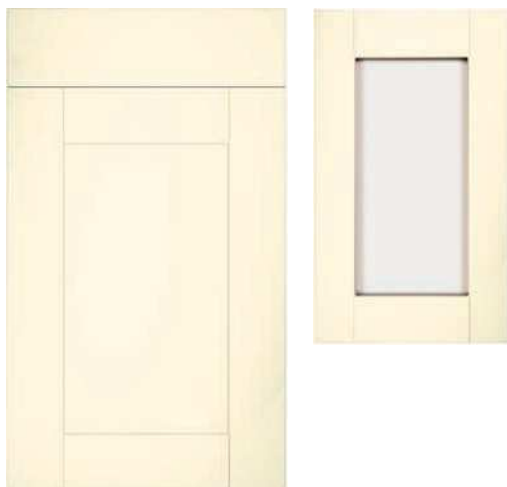
**Product Code**  
35PLATE570  
35PLATE120

# Classic & Traditional Doors

## Portland

### Portland

Timeless in its design, Portland is an uncomplicated shaker style door that provides a simple yet elegant setting.



Suggested MFC Board Match  
Egger U104

#### Handle Suggestions



Block End  
Bar Handle  
75430



Bow Handle  
75307

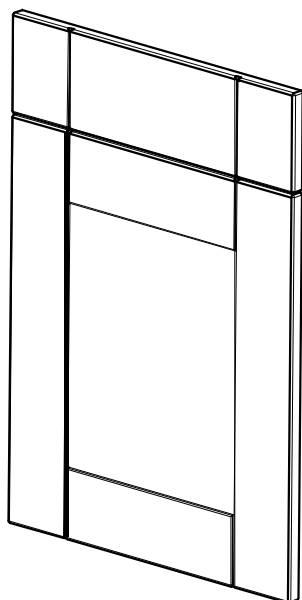


Shaker Handle  
7587

Handle shown on display  
Convus Knob 75392

# Classic & Traditional Doors

## Portland



### Product Information

Product Description	5pc effect door with flat centre panel
Product Colour	Ivory
Product Finish	Semi gloss
Base Material	MDF
Base Thickness	18mm
Covering Material	Vinyl wrapped
Edging Colour	To match with face
Reverse Colour	To match with face
Product Dimension	Standard door and drawer range

### Additional Information

Accessories are vinyl wrapped / faced  
 Frame and clear toughened glazed doors available  
 End panels are pressed all round  
 Fitters panels are edged 2 long  
 Information on fitters panels can be found at the end of the doors section

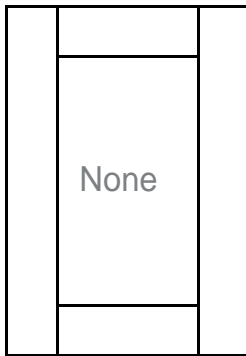
### Door & Accessory Descriptions

CODE	DESCRIPTION	CODE	DESCRIPTION	CODE	DESCRIPTION
3211059	110 X 595 PORTLAND SHAKER	3271527	715 X 277 PORTLAND SHAKER	32PELMET	PORTLAND TANGENT LIGHT RAIL
3214029	140 X 295 PORTLAND SHAKER	3271529	715 X 295 PORTLAND SHAKER	32PLINTH	PORTLAND PLINTH 150 X 2400mm
3214039	140 X 395 PORTLAND SHAKER	3271531	715 X 313 PORTLAND SHAKER	32CORNICE	PORTLAND TANGENT CORNICE
3214044	140 X 445 PORTLAND SHAKER	3271534	715 X 345 PORTLAND SHAKER	32WINE300	PORTLAND WINE FACIA 715 x 296mm
3214049	140 X 495 PORTLAND SHAKER	3271539	715 X 395 PORTLAND SHAKER	32PILASTER	PORTLAND PILASTER 870mm X 120mm
3214059	140 X 595 PORTLAND SHAKER	3271544	715 X 445 PORTLAND SHAKER	32PLATE120	PORTLAND PLATE RACK 1200mm
3214079	140 X 795 PORTLAND SHAKER	3271549	715 X 495 PORTLAND SHAKER	32EP780	PORTLAND T&G PANEL 780 X 350mm
3214089	140 X 895 PORTLAND SHAKER	3271554	715 X 545 PORTLAND SHAKER	32EP900	PORTLAND T&G PANEL 900 X 650mm
3214099	140 X 995 PORTLAND SHAKER	3271559	715 X 595 PORTLAND SHAKER	32EP2400	PORTLAND T&G PANEL 2400 X 650mm
3217539	175 X 395 PORTLAND SHAKER	3289529	895 X 295 PORTLAND SHAKER	3032F	PORTLAND FITTERS PANEL 2400 x 610mm
3217549	175 X 495 PORTLAND SHAKER	3289539	895 X 395 PORTLAND SHAKER	32CURVE	PORTLAND CURVED DOOR
3217559	175 X 595 PORTLAND SHAKER	3289544	895 X 446 PORTLAND SHAKER	32CORNICESQ	PORTLAND SQUARE END STRAIGHT CORNICE
3228349	283 X 496 PORTLAND SHAKER	3289549	895 X 495 PORTLAND SHAKER	32CURVECORNICESQ	PORTLAND SQUARE END CURVED CORNICE
3228359	283 X 596 PORTLAND SHAKER	3289559	895 X 595 PORTLAND SHAKER	32CURVEDPLINTH	PORTLAND CURVED PLINTH
3228379	283 X 796 PORTLAND SHAKER	3298059	980 X 595 PORTLAND SHAKER		
3228389	283 X 896 PORTLAND SHAKER	32124529	1245 X 295 PORTLAND SHAKER		
3228399	283 X 996 PORTLAND SHAKER	32124539	1245 X 395 PORTLAND SHAKER		
3235549	355 X 495 PORTLAND SHAKER	32124544	1245 X 445 PORTLAND SHAKER		
3235559	355 X 595 PORTLAND SHAKER	32124549	1245 X 495 PORTLAND SHAKER		
3235579	355 X 795 PORTLAND SHAKER	32124559	1245 X 595 PORTLAND SHAKER		
3235589	355 X 895 PORTLAND SHAKER	32F57049	570 X 495 FRAME PORTLAND SHAKER		
3235599	355 X 995 PORTLAND SHAKER	32F71539	715 X 395 FRAME PORTLAND SHAKER		
3245059	450 X 595 PORTLAND SHAKER	32F71549	715 X 495 FRAME PORTLAND SHAKER		
3249559	495 X 595 PORTLAND SHAKER	32F71559	715 X 595 FRAME PORTLAND SHAKER		
3257029	570 X 295 PORTLAND SHAKER	32F89539	895 X 395 FRAME PORTLAND SHAKER		
3257039	570 X 395 PORTLAND SHAKER	32F89549	895 X 495 FRAME PORTLAND SHAKER		
3257044	570 X 445 PORTLAND SHAKER	32G71539	715 X 395 CLEAR GLAZED PORTLAND		
3257049	570 X 495 PORTLAND SHAKER	32G71549	715 X 495 CLEAR GLAZED PORTLAND		
3257059	570 X 595 PORTLAND SHAKER	32G71559	715 X 595 CLEAR GLAZED PORTLAND		
3271514	715 X 147 PORTLAND SHAKER	32G89549	895 X 495 CLEAR GLAZED PORTLAND		

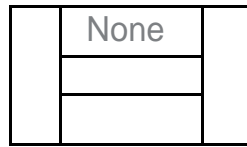
# Classic & Traditional Doors

## Portland

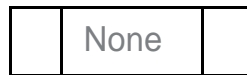
### Grain Direction



Door Grain Direction

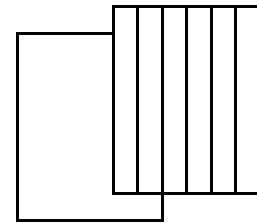


283 / 355mm



110 / 140 / 175mm

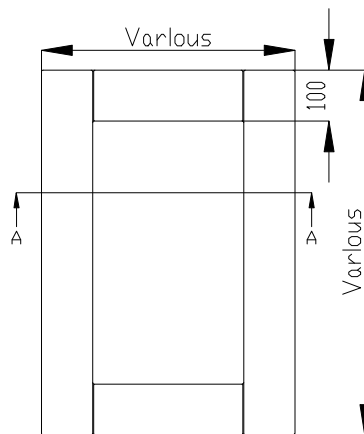
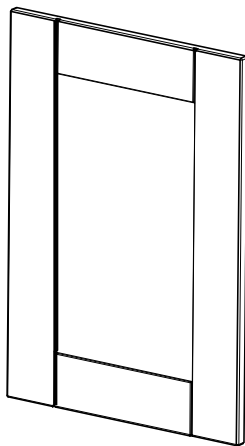
Drawer Grain Direction



None

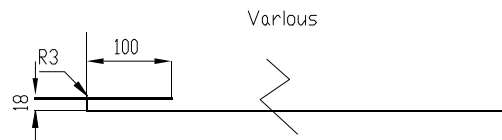
Panel Grain Direction

### Door



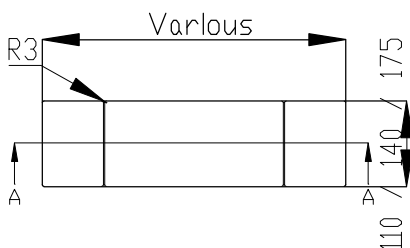
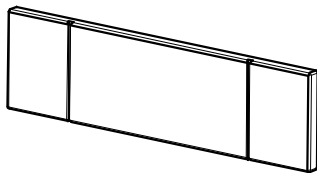
#### Product Information

5pc effect door with flat centre panel  
Vinyl wrapped MDF  
715 x 146 door is a slab door



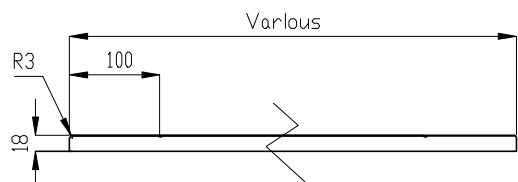
Section Through A-A

### Drawer



#### Product Information

Drawer for 110 / 140 / 175mm tall drawers  
All other drawer heights are based on the door design  
Vinyl wrapped MDF

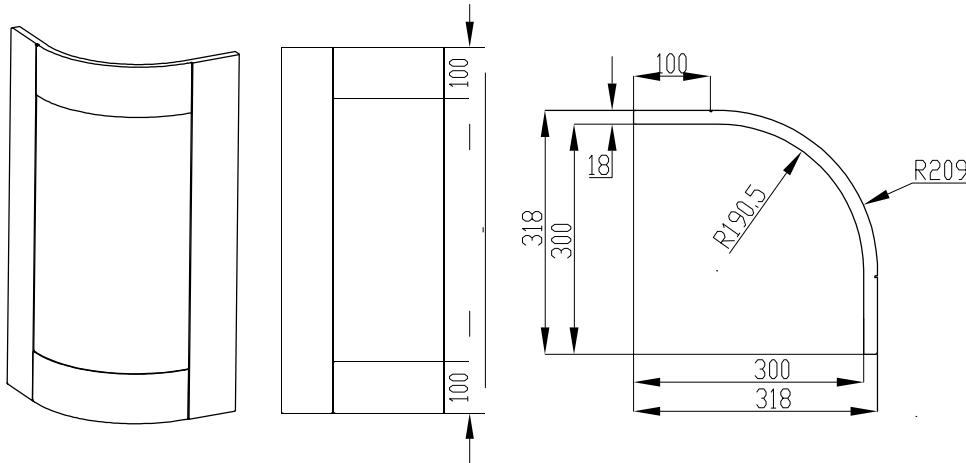


Section Through A-A

# Classic & Traditional Doors

## Portland

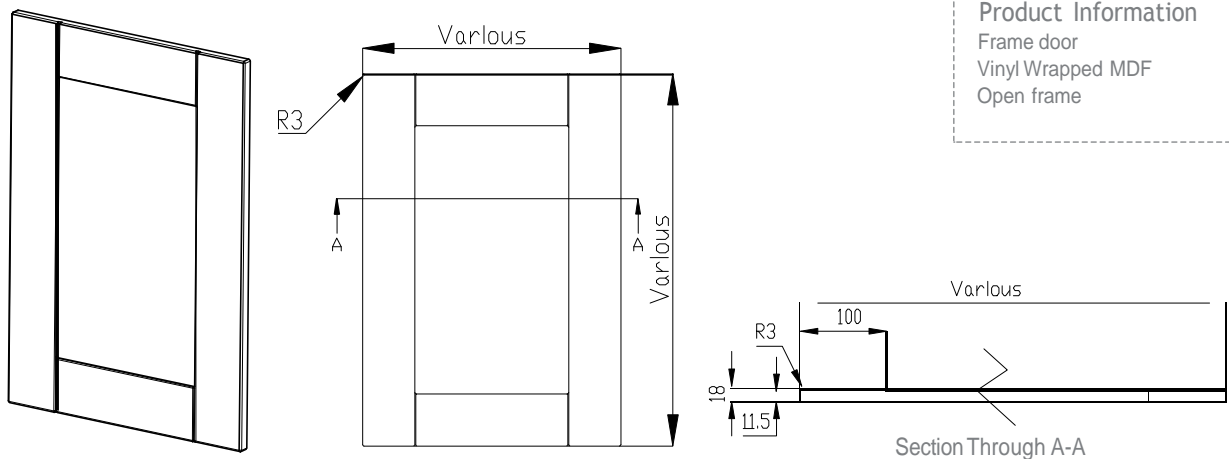
### Curved Door



**Product Information**  
 5pc effect door with centre panel  
 PVC Pressed MDF

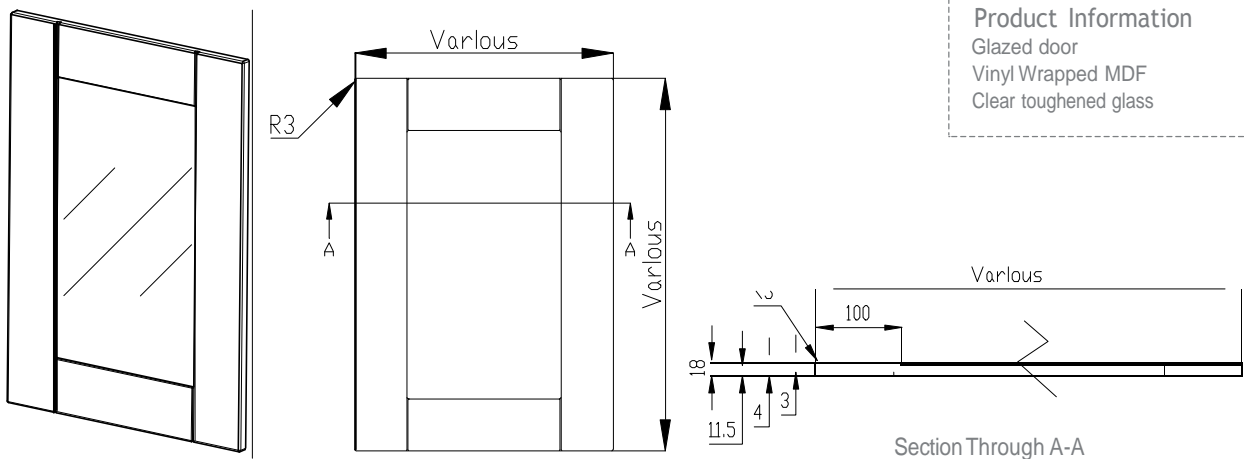
**Product Code**  
 32CURVE

### Frame Door



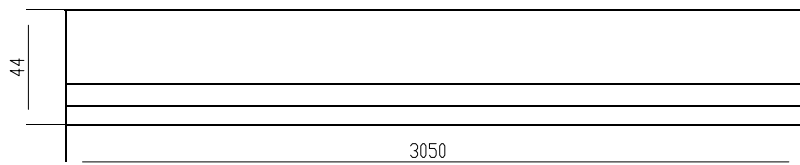
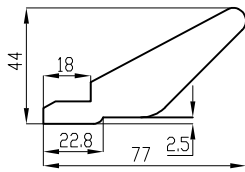
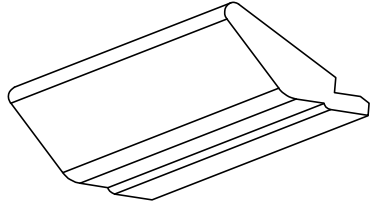
**Product Information**  
 Frame door  
 Vinyl Wrapped MDF  
 Open frame

### Glazed Door



**Product Information**  
 Glazed door  
 Vinyl Wrapped MDF  
 Clear toughened glass

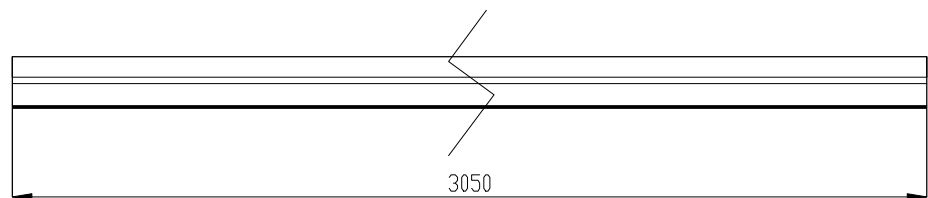
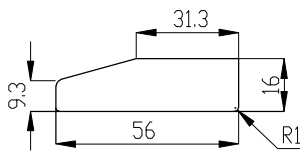
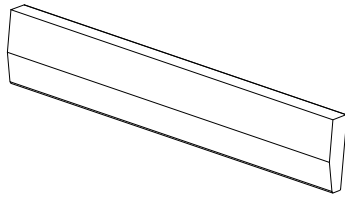
### Cornice



Product Information  
Vinyl Wrapped MDF

Product Code  
32CORNICE

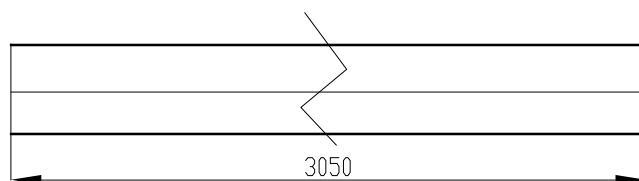
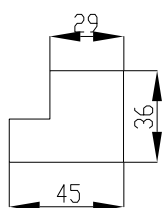
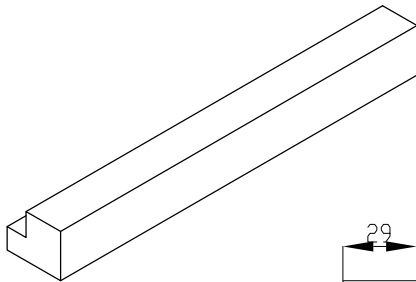
### Light Rail



Product Information  
Vinyl wrapped MDF

Product Code  
32PELMET

### Square End Straight Cornice / Pelmet



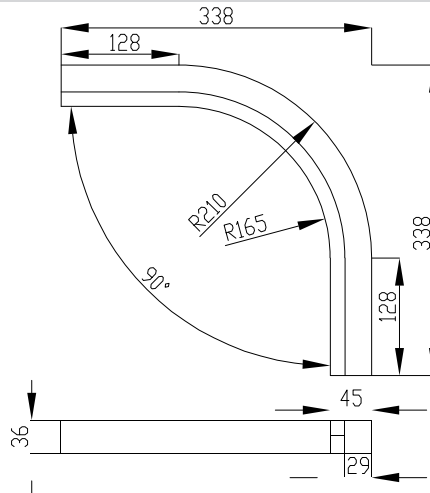
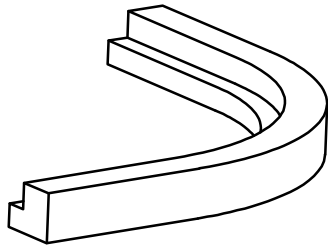
Product Information  
Vinyl wrapped MDF

Product Code  
32CORNICESQ

# Classic & Traditional Doors

## Portland

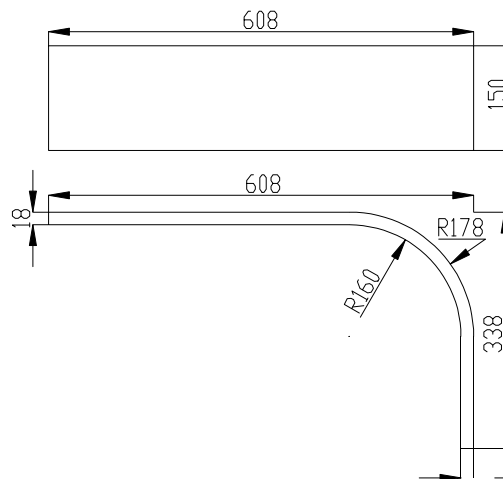
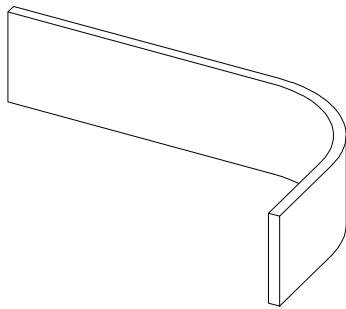
### Square End Curved Cornice / Pelmet



**Product Information**  
PVC Laminate on MDF

**Product Code**  
32CURVECORNICES

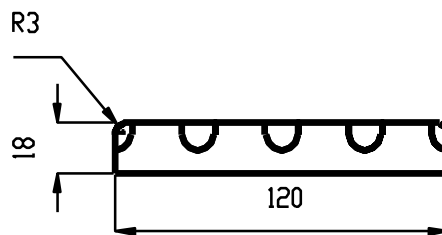
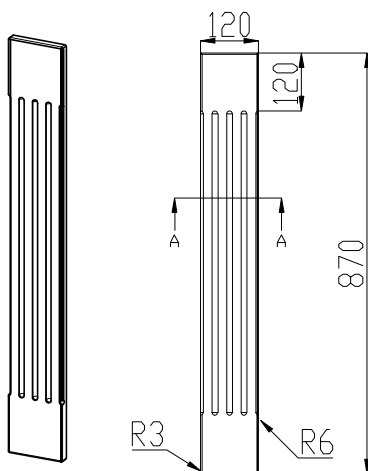
### Curved Plinth (External Curve)



**Product Information**  
PVC Laminate on MDF

**Product Code**  
32CURVEPLINTH

### Pilaster



Section Through A-A

**Product Information**  
Vinyl wrapped MDF  
870mm high

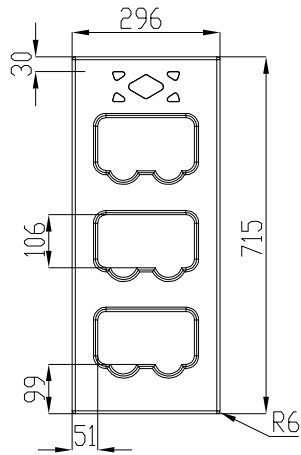
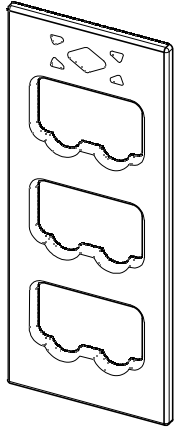
**Product Code**  
32PILASTER



# Classic & Traditional Doors

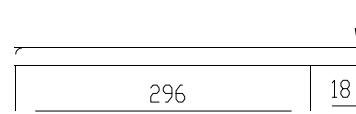
## Portland

### Wine Fascia



Product Information  
Vinyl wrapped MDF

Product Code  
32WINE300



# Classic & Traditional Doors

## Boston

### Boston

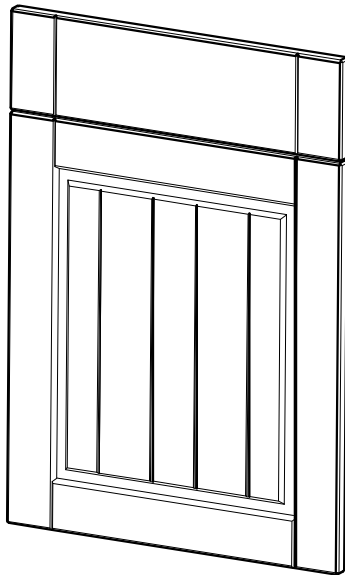
Combining contemporary styling with a traditional tongue and groove effect centre panel in easy to care for vinyl. Boston brings a spacious and warm feel to your kitchen.



		<h4>Handle Suggestions</h4>
		<p>Bow Handle 75307</p>
		<p>Handle &amp; Backplate 75310</p>
		<p>Strap Handle 75V516</p>
<p>Suggested MFC Board Match Egger U104 / Kronospan U514</p>		<p>Handle shown on display / door image Bow Handle 75307 / Shaker Handle 7587</p>

# Classic & Traditional Doors

## Boston



### Product Information

Product Description	5pc effect door with raised T&G centre panel
Product Colour	Ivory
Product Finish	Semi gloss
Base Material	MDF
Base Thickness	18mm
Covering Material	Vinyl wrapped
Edging Colour	To match with face
Reverse Colour	To match with face
Product Dimension	Standard door and drawer range

### Additional Information

Frame and satin toughened glazed doors available  
 End panels are pressed all round  
 Fitters panels are edged 2 long  
 Information on fitters panels can be found at the end of the doors section

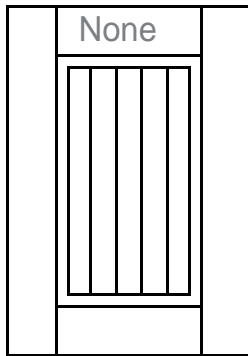
### Door & Accessory Descriptions

CODE	DESCRIPTION	CODE	DESCRIPTION	CODE	DESCRIPTION
2711059	110 x 595	2771527	715 x 277	27EP780	T&GPANEL 780 x 350mm
2714029	140 x 296	2771529	715 x 296	27EP900	T&G END PANEL 900 x 650mm
2714039	140 x 396	2771531	715 x 313	27EP2400	T&G END PANEL 2400 x 650mm
2714044	140 x 446	2771534	715 x 345	3027F	FITTERS PANEL 2400 X 610
2714049	140 x 496	2771539	715 x 395	27CORNICE	CORNICE
2714059	140 x 596	2771544	715 x 445	27PELMET	LIGHT PELMET
2714079	140 x 796	2771549	715 x 495	27CAN600	CANOPY 600 x 180 x 455mm
2714089	140 x 896	2771559	715 x 595	27CAN1000	CANOPY 1000 x 180 x 455mm
2714099	140 x 996	2789529	895 x 295	27PILASTER	PILASTER - 870mm
2717539	175 x 396	2789539	895 x 395	27WINE300	WINE FASCIA 715 x 296mm
2717549	175 x 496	2789544	895 x 445	27PLINTH	PLINTH 150 X 2400mm
2717559	175 x 596	2789549	895 x 495	27CURVE	CURVED DOOR
2728349	283 x 496	2789559	895 x 595	27CORNICESQ	SQUARE END STRAIGHT CORNICE
2728359	283 x 596	2798059	980 x 596	27CURVECORNICESQ	SQUARE END CURVED CORNICE
2728379	283 x 796	27124529	1245 x 295	27CURVEDPLINTH	CURVED PLINTH
2728389	283 x 896	27124539	1245 x 395		
2728399	283 x 996	27124544	1245 x 445		
2735549	355 x 495	27124549	1245 x 495		
2735559	355 x 595	27124559	1245 x 595		
2735579	355 x 795	27F71539	715 x 395 FRAME		
2735589	355 x 895	27F71549	715 x 495 FRAME		
2735599	355 x 995	27F71559	715 x 595 FRAME		
2745059	450 x 595	27F89549	895 x 495 FRAME		
2749059	490 x 595	27F89559	895 x 595 FRAME		
2757029	570 x 295	27G35579	355 x 795 SATIN GLAZED		
2757039	570 x 395	27G35599	355 x 995 SATIN GLAZED		
2757044	570 x 445	27G71539	715 x 395 SATIN GLAZED		
2757049	570 x 495	27G71549	715 x 495 SATIN GLAZED		
2757059	570 x 595	27G71559	715 x 595 SATIN GLAZED		
2771514	715 x 146	27G89549	895 x 495 SATIN GLAZED		
		27G89559	895 x 596 SATIN GLAZED		

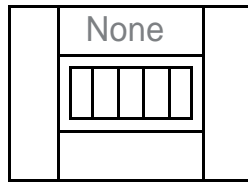
# Classic & Traditional Doors

## Boston

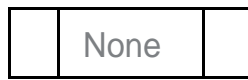
### Grain Direction



Door Grain Direction

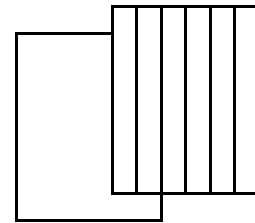


283 / 355mm



110 / 140 / 175mm

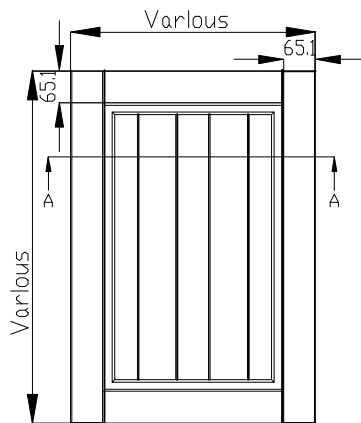
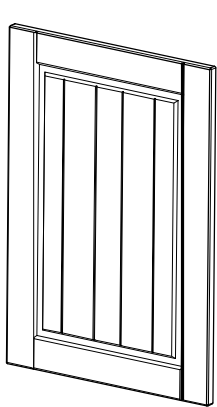
Drawer Grain Direction



None

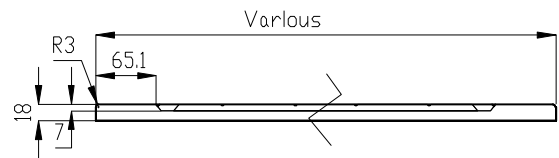
Panel Grain Direction

### Door



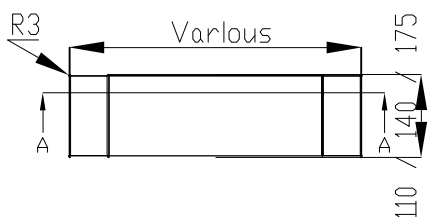
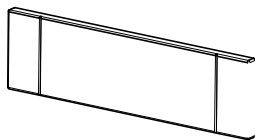
#### Product Information

5pc effect door with raised T&G centre panel  
Vinyl wrapped MDF  
715 x 146 door is a slab door



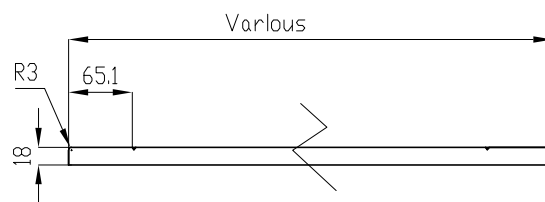
Section Through A-A

### Drawer



#### Product Information

Drawer for 110 / 140 / 175mm tall drawers  
All other drawer heights are based on the door design  
Vinyl wrapped PDF

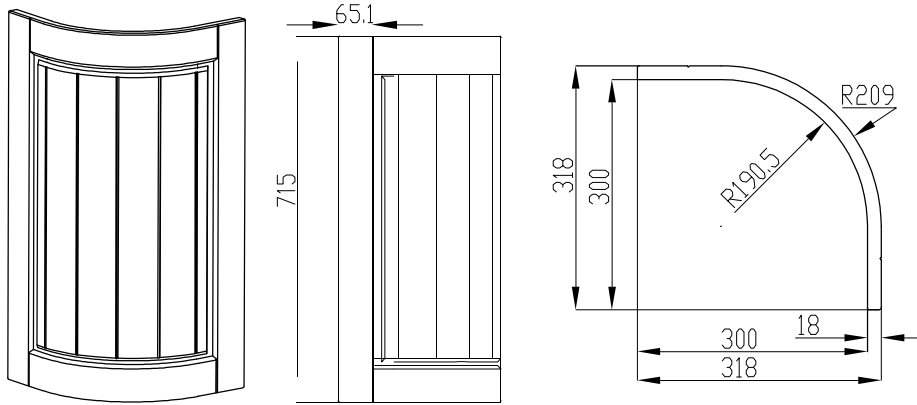


Section Through A-A

# Classic & Traditional Doors

## Boston

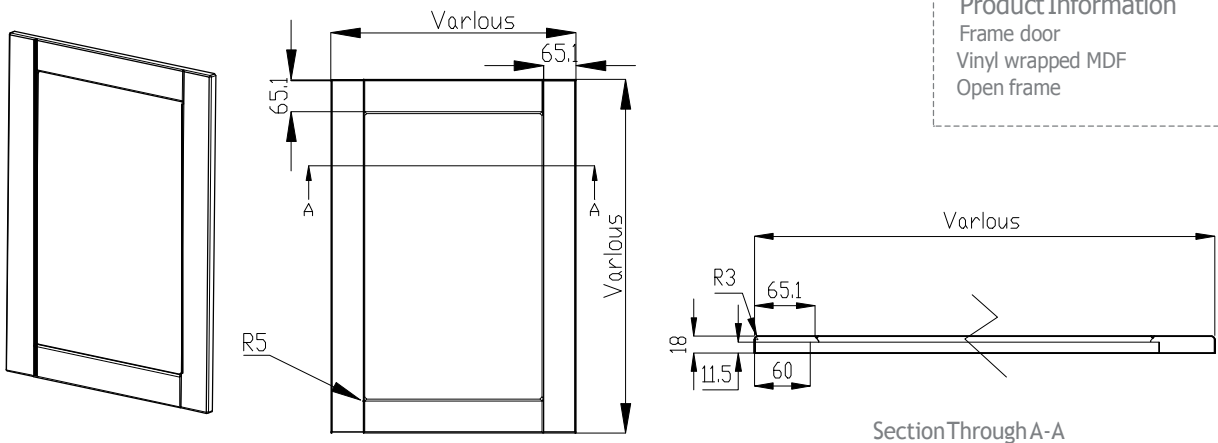
### Curved Door



**Product Information**  
 5pc effect door with raised  
 T&G centre panel  
 PVC Pressed MDF

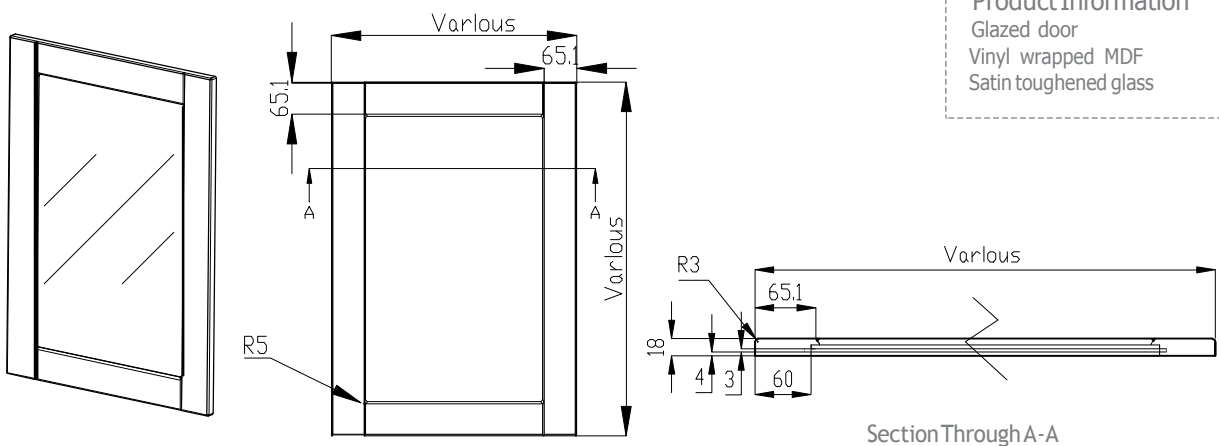
**Product Code**  
 27CURVE

### Frame Door



**Product Information**  
 Frame door  
 Vinyl wrapped MDF  
 Open frame

### Glazed Door

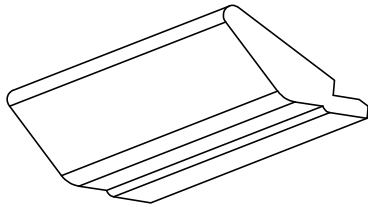


**Product Information**  
 Glazed door  
 Vinyl wrapped MDF  
 Satin toughened glass

# Classic & Traditional Doors

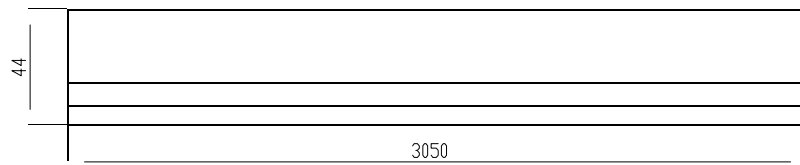
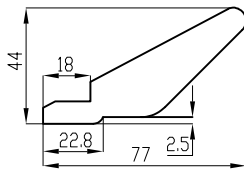
## Boston

### Cornice

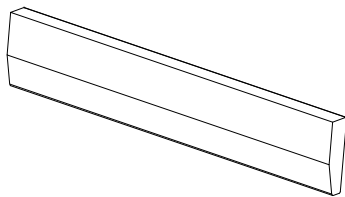


Product Information  
Vinyl wrapped MDF

Product Code  
27CORNICE

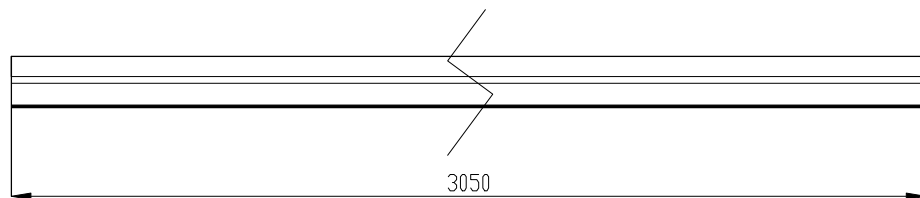
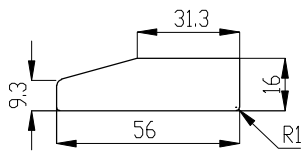


### Light Rail

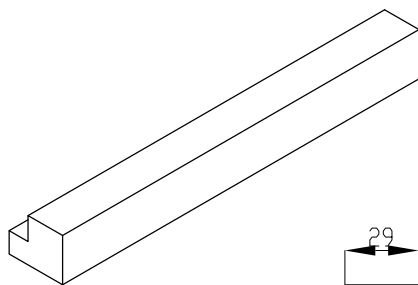


Product Information  
Vinyl wrapped MDF

Product Code  
27PELMET

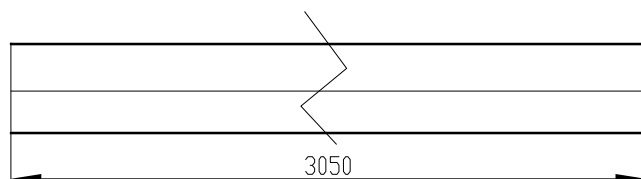
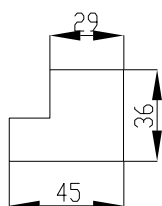


### Square End Straight Cornice / Pelmet



Product Information  
Vinyl wrapped MDF

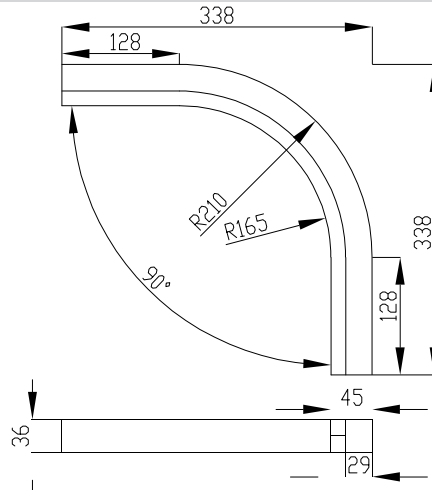
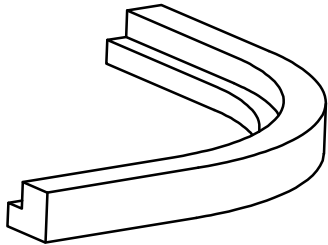
Product Code  
27CORNICESQ



# Classic & Traditional Doors

## Boston

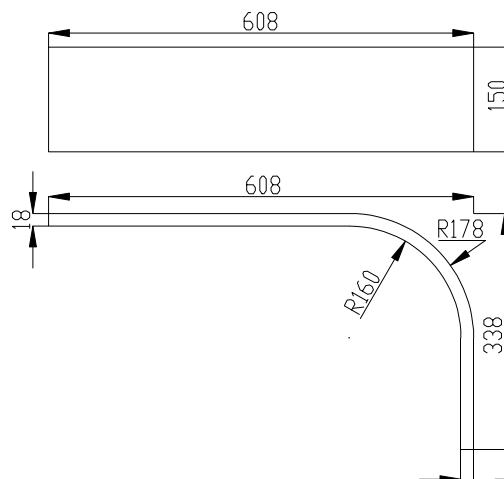
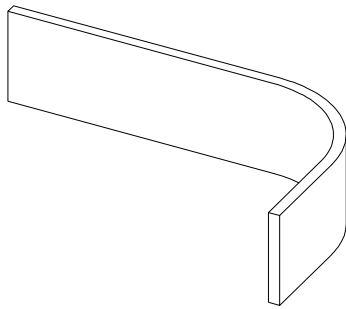
### Square End Curved Cornice / Pelmet



Product Information  
PVC Laminate on MDF

Product Code  
27CURVECORNICESQ

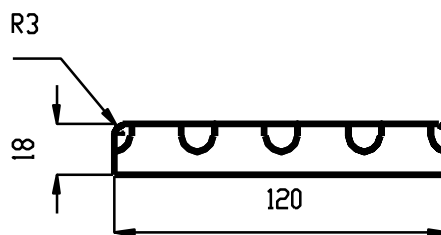
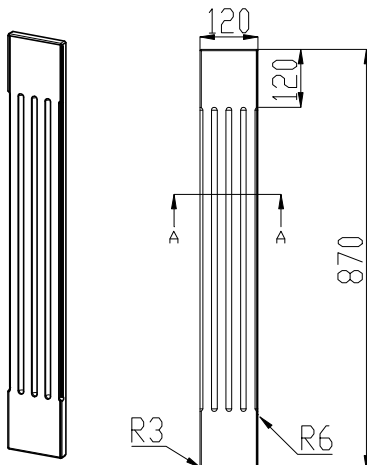
### Curved Plinth (External Curve)



Product Information  
PVC Laminate on MDF

Product Code  
27CURVEPLINTH

### Pilaster



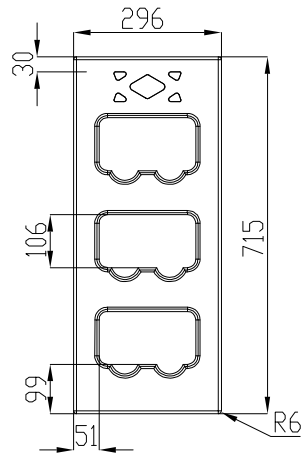
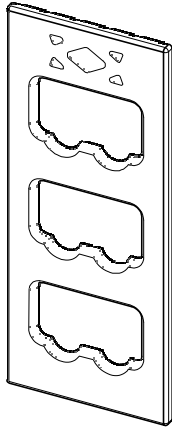
Product Information  
Vinyl wrapped MDF  
870mm high

Product Code  
27PILASTER

# Classic & Traditional Doors

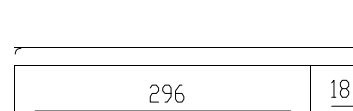
## Boston

### Wine Fascia



Product Information  
Vinyl wrapped MDF

Product Code  
27WINE300





# Classic & Traditional Doors

## New Jersey

### New Jersey

The charm of the uncomplicated classic shaker style door is captured beautifully by the New Jersey. With a simple yet desirable charm, this door epitomises modern elegance and functionality.



Suggested MFC Board Match  
Egger U108

#### Handle Suggestions



Shaker Handle  
7587



Cream Crackle Knob  
75942

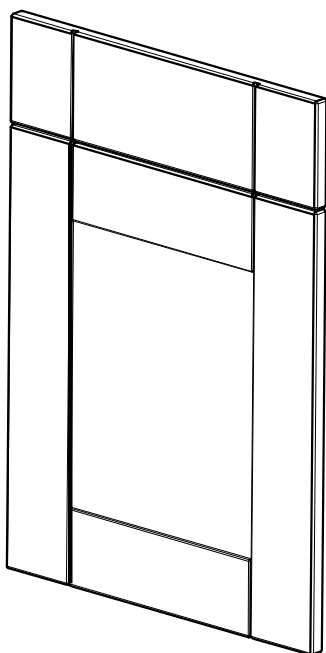


Painted Round Knob  
7534

Handle shown on display / door image  
Case Drop Handle 75932 & Round Knob 75938 /  
Handle & Backplate 75313

# Classic & Traditional Doors

## New Jersey



### Product Information

Product Description	5pc effect door with flat centre panel
Product Colour	Vanilla
Product Finish	Semi gloss
Base Material	MDF
Base Thickness	18mm
Covering Material	Vinyl wrapped
Edging Colour	To match with face
Reverse Colour	To match with face
Product Dimension	Standard door and drawer range

### Additional Information

Accessories are vinyl wrapped / faced  
 Frame and satin toughened glazed doors available  
 End panels are pressed all round  
 Fitters panels are edged 2 long  
 Information on fitters panels can be found at the end of the doors section

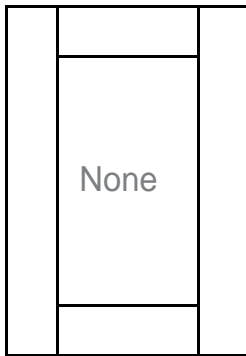
### Door & Accessory Descriptions

CODE	DESCRIPTION	CODE	DESCRIPTION	CODE	DESCRIPTION
3111059	110 x 595	3171527	715 x 277	31CORNICE	CORNICE
3114029	140 x 295	3171529	715 x 295	31PELMET	LIGHT PELMET
3114039	140 x 395	3171531	715 x 313	31PLINTH	PLINTH 150 X 2400mm
3114044	140 x 445	3171534	715 x 345	31PILASTER	PILASTER - 870mm
3114049	140 x 495	3171539	715 x 395	31WINE300	WINE FASCIA 715 x 296mm
3114059	140 x 595	3171544	715 x 445	31EP720	T&G END PANEL 720 x 325mm
3114079	140 x 795	3171549	715 x 495	31EP900	T&G END PANEL 900 x 650mm
3114089	140 x 895	3171559	715 x 595	31EP2400	T&G END PANEL 2400 x 650mm
3114099	140 x 995	3189529	895 x 295	3031F	FITTERS PANEL 2400 X 610mm
3117539	175 x 395	3189539	895 x 395		
3117549	175 x 495	3189544	895 x 446		
3117559	175 x 595	3189549	895 x 495		
3128349	283 x 496	3189559	895 x 595		
3128359	283 x 596	3198059	980 x 595		
3128379	283 x 796	31124529	1245 x 295		
3128389	283 x 896	31124539	1245 x 395		
3128399	283 x 996	31124544	1245 x 445		
3135549	355 x 495	31124549	1245 x 495		
3135559	355 x 595	31124559	1245 x 595		
3135579	355 x 795	31F57049	570 x 495 FRAME		
3135589	355 x 895	31F71539	715 x 395 FRAME		
3135599	355 x 995	31F71549	715 x 495 FRAME		
3145059	450 x 595	31F71559	715 x 595 FRAME		
3149059	490 x 595	31F89539	895 x 395 FRAME		
3157029	570 x 295	31F89549	895 x 495 FRAME		
3157039	570 x 395	31G71539	715 x 395 SATIN GLAZED		
3157044	570 x 445	31G71549	715 x 495 SATIN GLAZED		
3157049	570 x 495	31G71559	715 x 595 SATIN GLAZED		
3157059	570 x 595	31G89549	895 x 495 SATIN GLAZED		
3171514	715 x 147				

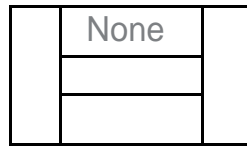
# Classic & Traditional Doors

## New Jersey

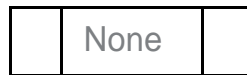
### Grain Direction



Door Grain Direction

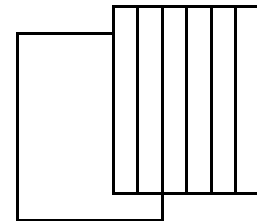


283 / 355mm



110 / 140 / 175mm

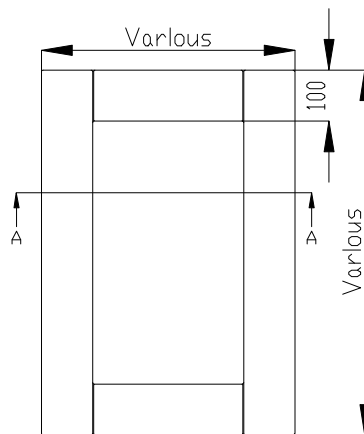
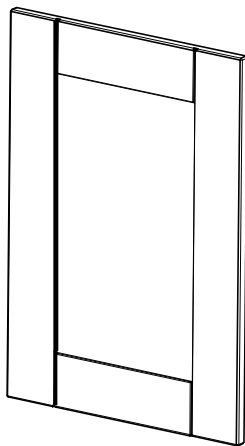
Drawer Grain Direction



None

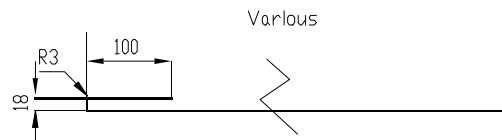
Panel Grain Direction

### Door



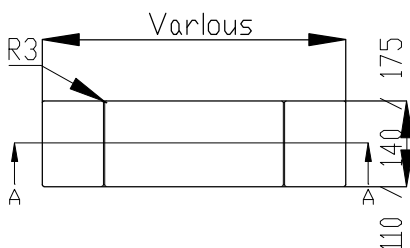
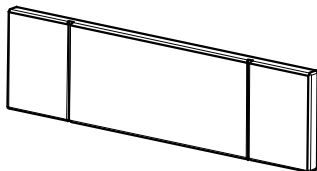
#### Product Information

5pc effect door with flat centre panel  
Vinyl wrapped MDF  
715 x 146 door is a slab door



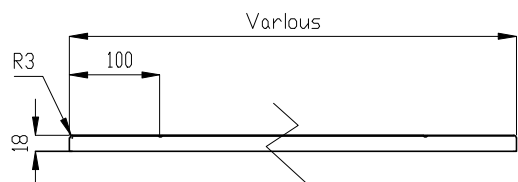
Section Through A-A

### Drawer



#### Product Information

Drawer for 110 / 140 / 175mm tall drawers  
All other drawer heights are based on the door design  
Vinyl wrapped MDF

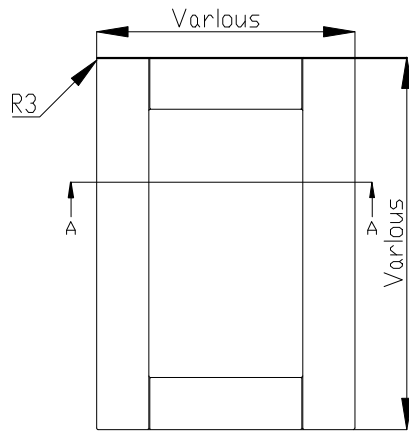
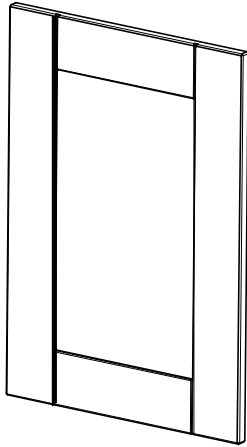


Section Through A-A

# Classic & Traditional Doors

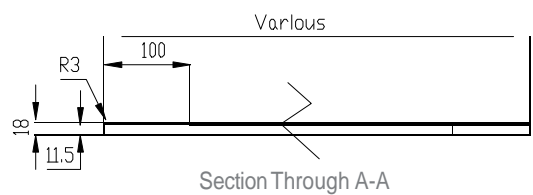
New Jersey

## Frame Door

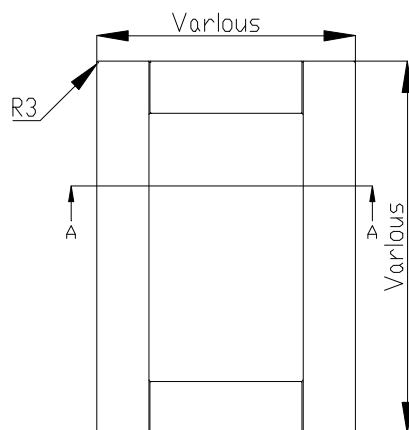
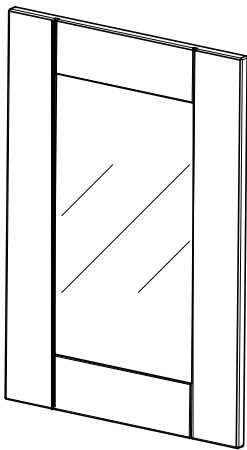


### Product Information

Frame door  
Vinyl Wrapped MDF  
Open frame

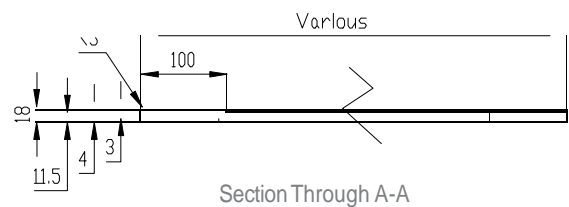


## Glazed Door

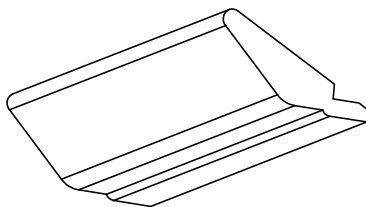


### Product Information

Glazed door  
Vinyl Wrapped MDF  
Satin toughened glass



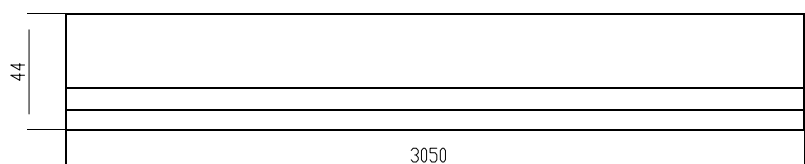
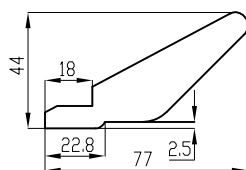
## Cornice



### Product Information

Vinyl Wrapped MDF

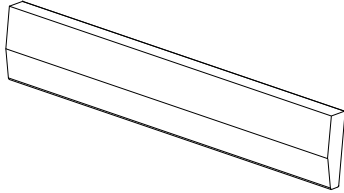
Product Code  
31CORNICE



# Classic & Traditional Doors

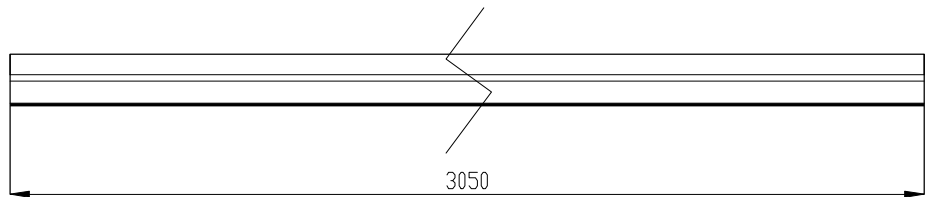
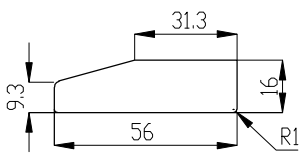
## New Jersey

### Light Rail

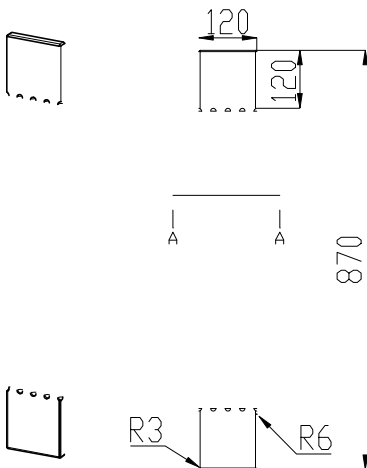


**Product Information**  
Vinyl wrapped MDF

**Product Code**  
31PELMET

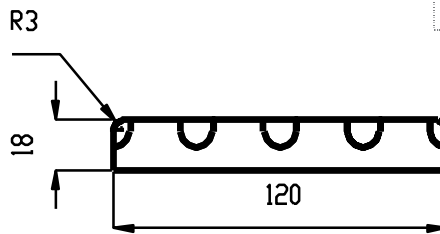


### Pilaster



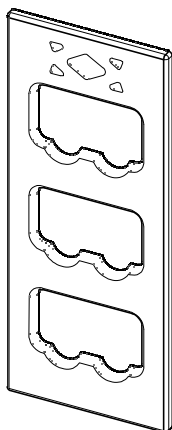
**Product Information**  
Vinyl wrapped MDF  
870mm high

**Product Code**  
31PILASTER



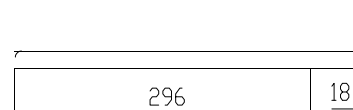
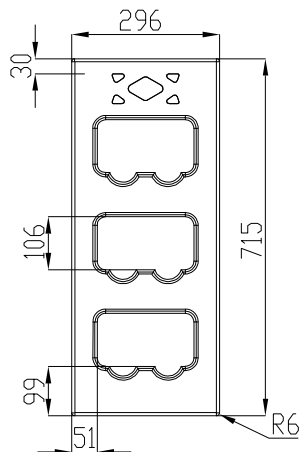
Section Through A-A

### Wine Fascia



**Product Information**  
Vinyl wrapped MDF

**Product Code**  
31WINE300



# Classic & Traditional Doors

## Calgary

### Calgary

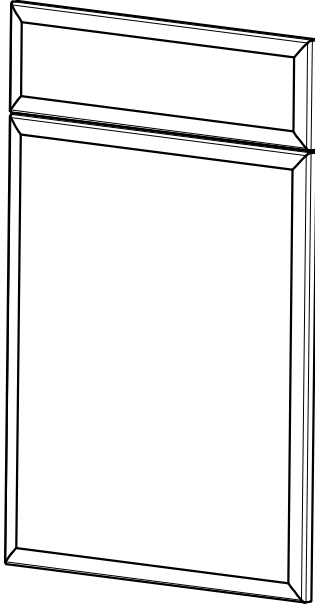
Sleek and stylish. Calgary is a saponetta door of minimal design. Used to create an environment of an ultra-modern appearance, it serves to bring practicality and versatility to any space. The light and airy beech colour also lends a feeling of cleanliness and spaciousness.



	<h4>Handle Suggestions</h4>
	 <p>Bow Handle 75240</p>
	 <p>Bow Pointed T Bar 75216</p>
	 <p>Wave Handle 75V512</p>
<p>Suggested MFC Board Match Egger H1731 / Egger H1582 / Kronospan D1639</p>	<p><small>Handle shown on display / door image Strap Handle 75439 / Bow Handle 75924 &amp; 75926</small></p>

# Classic & Traditional Doors

## Calgary



### Product Information

Product Description	Saponetta style door
Product Colour	Elmau beech
Product Finish	Semi gloss
Base Material	MDF
Base Thickness	18mm
Covering Material	Vinyl wrapped
Edging Colour	To match with face
Reverse Colour	To match with face
Product Dimension	Standard door and drawer range

### Additional Information

Accessories are vinyl wrapped / faced  
 Frame and satin toughened glazed doors available  
 Fitters panels are edged 2 long  
 Information on fitters panels can be found at the end of the doors section

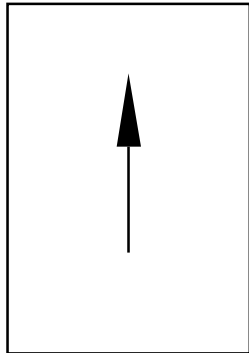
### Door & Accessory Descriptions

CODE	DESCRIPTION	CODE	DESCRIPTION	CODE	DESCRIPTION
4411059	110 x 596	4457059	570 x 596	44CORNICE	TANGENT CORNICE
4414029	140 x 296	4471514	715 x 146	44PELMET	TANGENT LIGHT RAIL
4414039	140 x 396	4471527	715 x 277	44PILASTER	VINYL PILASTER 870MM
4414044	140 x 446	4471529	715 x 296	44PLINTH	PLINTH 150 x 2800mm
4414049	140 x 496	4471531	715 x 313	3044F	FITTERS PANEL 2400 x 610mm
4414059	140 x 596	4471534	715 x 345		
4414079	140 x 796	4471539	715 x 396		
4414089	140 x 896	4471544	715 x 446		
4414099	140 x 996	4471549	715 x 496		
4417539	175 x 396	4471559	715 x 596		
4417549	175 x 496	4489529	895 x 296		
4417559	175 x 596	4489539	895 x 396		
4428349	283 x 496	4489544	895 x 446		
4428359	283 x 596	4489549	895 x 496		
4428379	283 x 796	4489559	895 x 596		
4428389	283 x 896	4498059	980 x 596		
4428399	283 x 996	44124529	1245 x 296		
4435549	355 x 496	44124539	1245 x 396		
4435559	355 x 596	44124544	1245 x 446		
4435579	355 x 796	44124549	1245 x 496		
4435589	355 x 896	44124559	1245 x 596		
4435599	355 x 996	44F57049	570 x 496 FRAME		
4445059	450 x 596	44F71539	715 x 396 FRAME		
4445079	450 x 796	44F71549	715 x 496 FRAME		
4445099	450 x 996	44F71559	715 x 596 FRAME		
4449059	490 x 596	44F89549	895 x 496 FRAME		
4457029	570 x 296	44G71539	715 x 396 SATIN GLAZED		
4457039	570 x 396	44G71549	715 x 496 SATIN GLAZED		
4457044	570 x 446	44G71559	715 x 596 SATIN GLAZED		
4457049	570 x 496	44G89549	895 x 496 SATIN GLAZED		

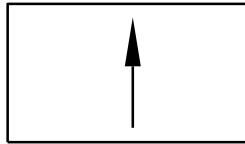
# Classic & Traditional Doors

## Calgary

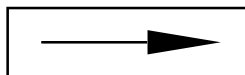
### Grain Direction



Door Grain Direction

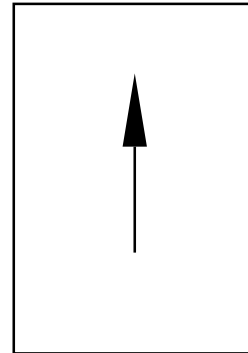


283 / 355mm



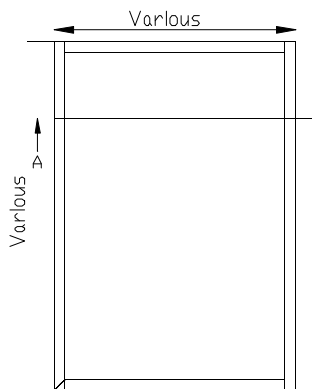
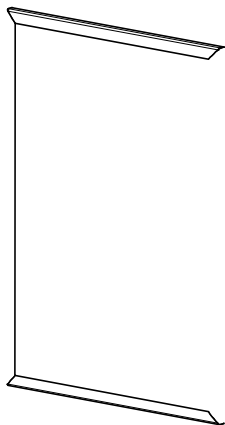
110 / 140 / 175mm

Drawer Grain Direction



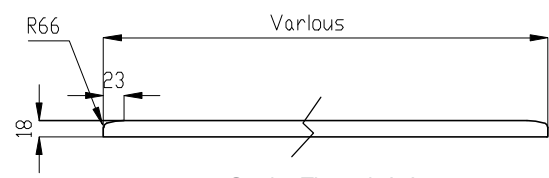
Panel Grain Direction

### Door



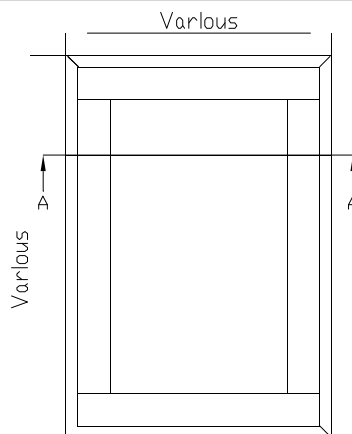
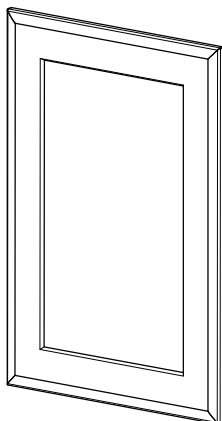
#### Product Information

Saponetta style door  
Vinyl wrapped MDF



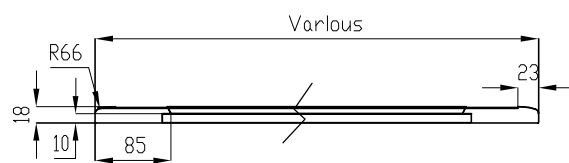
Section Through A-A

### Frame Door



#### Product Information

Saponetta style framed door  
Vinyl wrapped MDF  
Open Frame



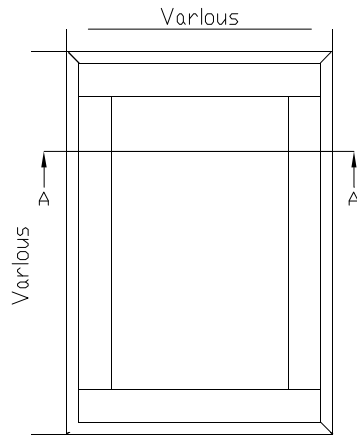
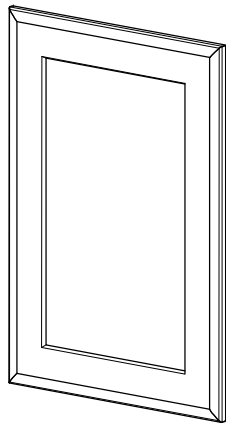
Section Through A-A



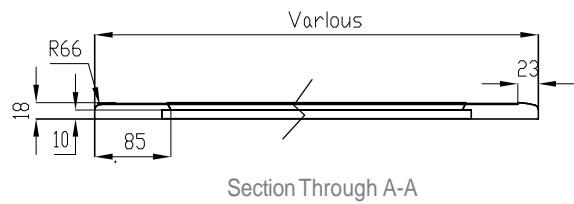
# Classic & Traditional Doors

## Calgary

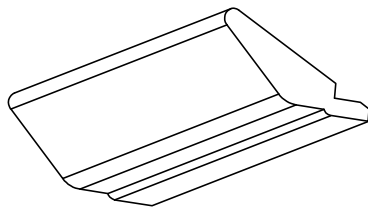
### Glazed Door



**Product Information**  
 Saponetta style glazed door  
 Vinyl wrapped MDF  
 Satin toughened glass

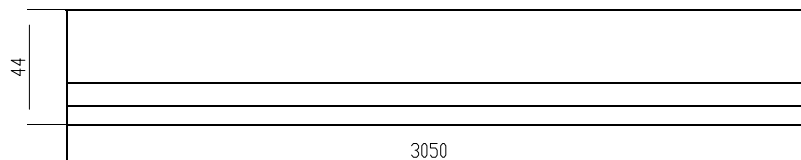
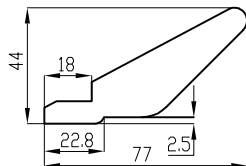


### Cornice

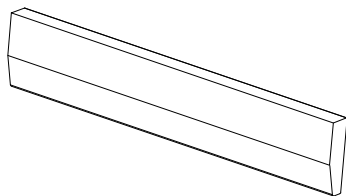


**Product Information**  
 Vinyl Wrapped MDF

**Product Code**  
 44CORNICE

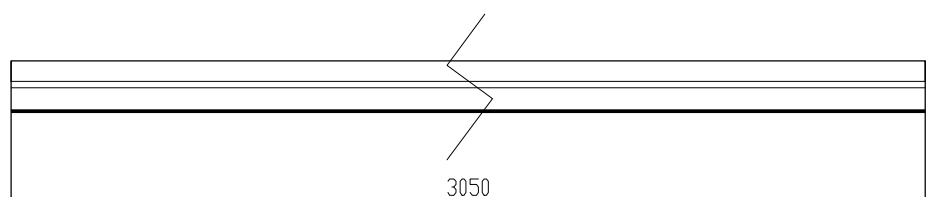
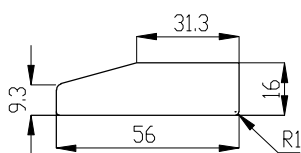


### Light Rail



**Product Information**  
 Vinyl Wrapped MDF

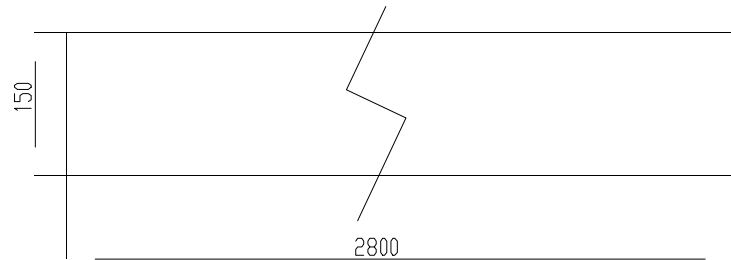
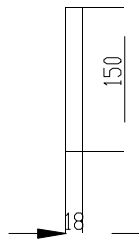
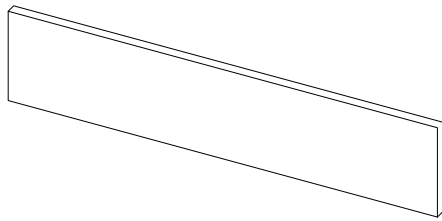
**Product Code**  
 44PELMET



# Classic & Traditional Doors

## Calgary

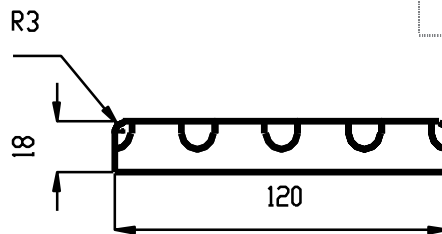
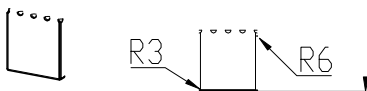
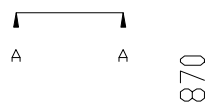
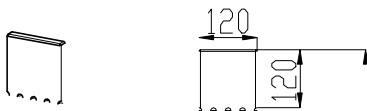
### Plinth



Product Information  
Vinyl faced chipboard

Product Code  
44PLINTH

### Pilaster



Section Through A-A

Product Information  
Vinyl Wrapped MDF  
870mm High

Product Code  
44PILASTER



Vetro Made To Measure Black

# Made to Order Doors

Make the ultimate statement by opting for a made to order kitchen. Create your perfect kitchen that is bespoke to the style and sizes you require.

# Made to Order Doors

## Vetro Made To Measure

### Vetro Black & Zebrano

A clean and clear, yet powerful statement is created when Vetro Black and Zebrano high gloss doors are used in the same setting. Any size is available up to 2400 x 900mm (depending on grain direction, where applicable). Angles are possible too; making the doors perfect for sloping ceilings.



Suggested MFC Board Match  
Black: Egger U999 / Zebrano: Egger H3005

#### Handle Suggestions



Strap Bar Handle  
75371



Square Handle  
7514



Samau  
75121

Handle shown on display / door image  
Massiv Block End Handle 75475 & 75476 /  
Massiv Block End Handle 75472




# Made to Order Doors

## Vetro Made To Measure

### Vetro Black & Olivewood

A dramatic and exciting setting is created when Vetro Black and Olivewood doors are combined as can be seen here. Any size is available up to 2400 x 900mm (depending on grain direction, where applicable). Angles are possible too; making the doors perfect for sloping ceilings.



	<h4>Handle Suggestions</h4> <div style="display: flex; align-items: center; margin-bottom: 10px;">  <div style="margin-left: 20px;"> <p>Quadro Argento 75152</p> </div> </div> <div style="display: flex; align-items: center; margin-bottom: 10px;">  <div style="margin-left: 20px;"> <p>Correa 75964</p> </div> </div> <div style="display: flex; align-items: center;">  <div style="margin-left: 20px;"> <p>Lamington 75395</p> </div> </div> <p style="font-size: small; text-align: right;">Handle shown on disolav / door image Massiv Block End Handle 75475 &amp; 75476 / Massiv Block End Handle 75472</p>
<p><b>Suggested MFC Board Match</b> Black: Egger U999 / Olivewood: Egger H3030 or use a Black or White Board</p>	

# Made to Order Doors

## Vetro / Vivo Made To Measure

### Vetro / Vivo Range

The Vetro door range is available in 6 solid colours and 4 wood grains.  
Vivo made to measure is available in White



**Vetro Cream**  
Edge:  
Cream & Silver  
Board Match:  
Egger U222



**Vetro Mocha**  
Edge:  
Mocha & Silver  
Board Match:  
Egger U222



**Vetro Burgundy**  
Edge:  
Burgundy & Silver  
Board Match:  
Egger U311



**Vetro Black**  
Edge:  
Black & Silver  
Board Match:  
Egger U999



**Vetro Walnut**  
Edge:  
Black & Silver  
Board Match:  
Egger H3704



**VIVO White**  
Edge:  
White & Silver  
Board Match:  
Egger W1100

Please note that the construction of Vivo White is different to Vetro.

Please look at the technical information in the Contemporary door section for Vivo for further information.



**Vetro Oak**  
Edge:  
Cream & Silver  
Board Match:  
Egger H1334



**Vetro Zebrano**  
Edge:  
Black & Silver  
Board Match:  
Egger H3005



**Vetro Aubergine**  
Edge:  
Aubergine & Silver  
Board Match:  
Egger U330



**Vetro Graphite**  
Edge:  
Graphite & Silver  
Board Match:  
Egger U961



**Vetro Olivewood**  
Edge:  
Black & Silver  
Board Match:  
Egger H3030  
or use a Black or  
White Board



# Made to Order Doors

## Vetro /Vivo Made To Measure

### Vetro /Vivo Edge Options

Vetro and Vivo Made To Measure is available in various edge options.

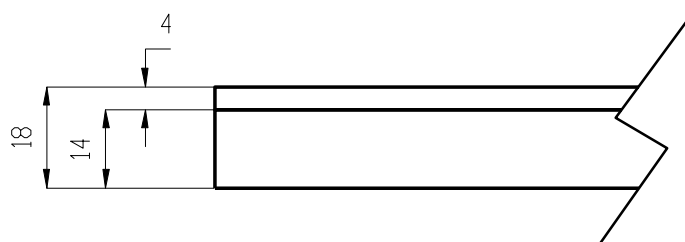
EDGE 1 TWIN CORE EDGING	EDGE 2 SOLID COLOUR EDGING	EDGE 3 MIX & MATCH EDGING
<p>Black gloss door with Twin core edge.</p>  <p>Twin Core PVC edge consisting of a brushed aluminium part and colour coded element to give an illusion of a glass fronted door.</p>	<p>Black gloss door with Solid black edge.</p>  <p>PVC Solid Colour co-ordinated edge to match face colour of the door. Available in 7 plain colours and 4 woodgrains.</p>	<p>Black gloss door with Solid burgundy edge.</p>  <p>Any of our Twin Core or Solid Colour PVC edging can be chosen to create an exciting and bespoke aesthetic.</p>

### Edge Information

Edge 2 (shown above) is a MadeTo Measure door, this door is not meant to be mixed with stock Reflections /Vivo doors of the same colour. Due to a different manufacturing process the edge will look noticeably different to Reflections /Vivo.

Vetro /Vivo stock doors are manufactured in different batches to the Vetro /Vivo MadeTo Measure doors; due to the different times of manufacture there may be slight colour variations between the two. Although these differences are generally not noticeable to the human eye we strongly recommend that if you require any sizes outside the Vetro /Vivo stock door range you purchase the whole order as Made To Measure and do NOT mix stock and Made To Measure Vetro /Vivo doors.

### Vetro Edge Detail - Twin Core Edging



#### Product Information

Twin core PVC edge consisting of a brushed aluminium part and colour coded element



# Made to Order Doors

## Vetro Made To Measure

### Guide to Ordering Wood Grain Vetro Doors

#### Panel Size

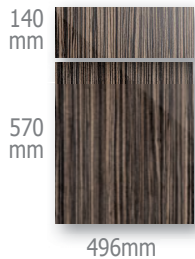
Any door size is available up to 2400 x 900mm dependent on grain direction



#### How To Order

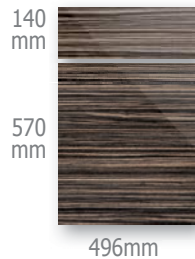
The 1st dimension ALWAYS gives the grain direction. Please see examples below on how to order the doors with angles and specific grain directions.

#### Vertical Grain Door & Drawer



Dimensions To Order  
Drawer: 140 X 496mm  
Door: 570 X 496mm

#### Horizontal Grain Door & Drawer



Dimensions To Order  
Drawer: 496 X 140mm  
Door: 496 X 570mm

#### Angled Doors

Any type of angled door is possible.



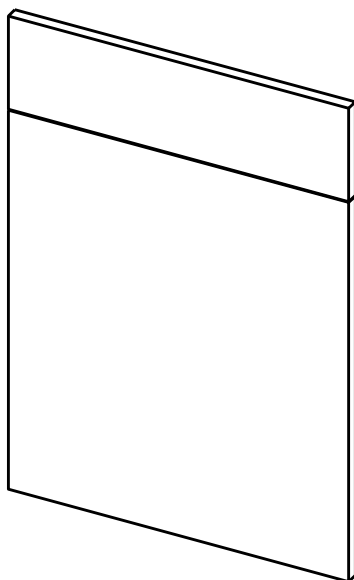
To order angled doors, please draw the door and dimensions and email to us.

Email: [info@craftsmanltd.co.uk](mailto:info@craftsmanltd.co.uk)



# Made to Order Doors

## Vetro Made To Measure



### Product Information

Product Description	Slab door, no detailing
Product Colour	Vetro range
Product Finish	High gloss
Base Material	MFC
Base Thickness	18mm
Covering Material	High gloss lacquer
Edging Material	Various edging options available.
Edging Thickness	1.5mm
Edging Colour	Various edging options available.
Reverse Colour	To match with face, matt finish
Product Dimension	Any size available up to 2400 x 900mm (depending on grain direction, where applicable)

### Additional Information

Board Match: See Vetro door range page  
 Select accessories from Reflections range as door colours match  
 Vetro glazed side frames are available. Angles possible - Ideal for sloping ceilings.

\*Please note that the construction of Vivo White is different to Vetro. Please look at the technical information in the Contemporary door section for Vivo for further information.

### Door & Accessory Descriptions

CODE	DESCRIPTION	CODE	DESCRIPTION	CODE	DESCRIPTION		
4911059	110 X 596	4943549	435 X 496	49215539	2155 X 396		
4914029	140 X 296	4945059	450 X 596	49215544	2155 X 446		
4914039	140 X 396	4949059	490 X 596	49215549	2155 X 496		
4914044	140 X 446	4953544	535 X 446	49215554	2155 X 546		
4914049	140 X 496	4953549	535 X 496	49215559	2155 X 596		
4914059	140 X 596	4953559	535 X 596	49240029	2400 X 296		
4914079	140 X 796	4957029	570 X 296	49240034	2400 X 346		
4914099	140 X 996	4957039	570 X 396	49240039	2400 X 396		
4917539	175 X 396	4957049	570 X 496	49240044	2400 X 446		
4917549	175 X 496	4957059	570 X 596	49240049	2400 X 496		
4917559	175 X 596	4965539	655 X 396	49240054	2400 X 546		
4921529	215 X 296	4965544	655 X 446	49240059	2400 X 596		
4921534	215 X 346	4965549	655 X 496	49EDGE01	BURGUNDY EDGE 1.5MM 25M ROLL		
4921539	215 X 396	4971529	715 X 296	49EDGE02	BLACK EDGE 1.5MM 25M ROLL		
4921544	215 X 446	4971539	715 X 396	49EDGE03	CREAM EDGE 1.5MM 25M ROLL		
4921549	215 X 496	4971549	715 X 496	49EDGE05	MOCHA EDGE 1.5MM 25M ROLL		
4921559	215 X 596	4971559	715 X 596	49EDGE06	AUBERGINE EDGE 1.5MM 25M ROLL		
4921569	215 X 696	4989529	895 X 296	49EDGE07	GRAPHITE EDGE 1.5MM 25M ROLL		
4921579	215 X 796	4989539	895 X 396	Door Colour	Edge	Door Colour	Edge
4921589	215 X 896	4989549	895 X 496	Olivewood	Silver and Black	Aubergine	Silver and Aubergine
4921599	215 X 996	4989559	895 X 596	Graphite	Silver and Graphite	White*	Silver and White
4928349	283 X 496	4998059	980 X 596	Burgundy	Silver and Burgundy	Zebrano	Silver and Black
4928359	283 X 596	49124529	1245 X 296	Cream	Silver and Cream	Walnut	Silver and Black
4928379	283 X 796	49124539	1245 X 396	Mocha	Silver and Mocha	Oak	Silver and Cream
4928389	283 X 896	49124549	1245 X 496	Black	Silver and Black		
4928399	283 X 996	49124559	1245 X 596				
4935549	355 X 496	49149534	1495 X 346				
4935559	355 X 596	49149539	1495 X 396				
4935579	355 X 796	49149544	1495 X 446				
4935599	355 X 996	49149549	1495 X 496				
4943539	435 X 396	49215529	2155 X 296				
4943544	435 X 446	49215534	2155 X 346				

We are now able to offer Vetro / Vivo glazed frames as a made to measure service on a 3 week lead time. These doors are available in sides only and any bespoke size is possible. Vetro /Vivo glazed frames come in 11 high gloss colours to match the Vetro & Vivo range of doors.

For further information please phone CRAFTSMAN LTD's Made To Measure department.

\*Please note that the construction of Vivo White is different to Vetro. Please look at the technical information in the Contemporary door section for Vivo for further information.

# Made to Order Doors

## Vetro Made To Measure

### Vetro Grain Direction - Solid Colours



Door Grain Direction



Drawer Grain Direction

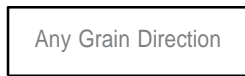


Panel Grain Direction

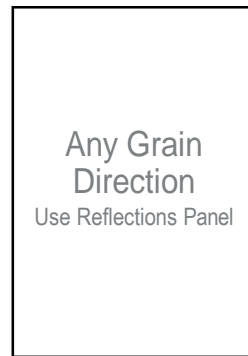
### Vetro Grain Direction - Wood Direction



Door Grain Direction



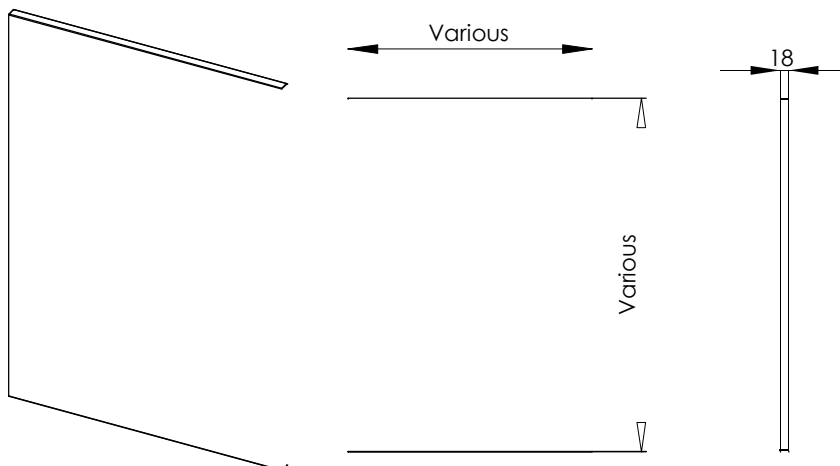
Drawer Grain Direction



Panel Grain Direction

See 'Guide to ordering Vetro Doors' for details on ordering doors in a particular grain direction

### Vetro Door / Drawer

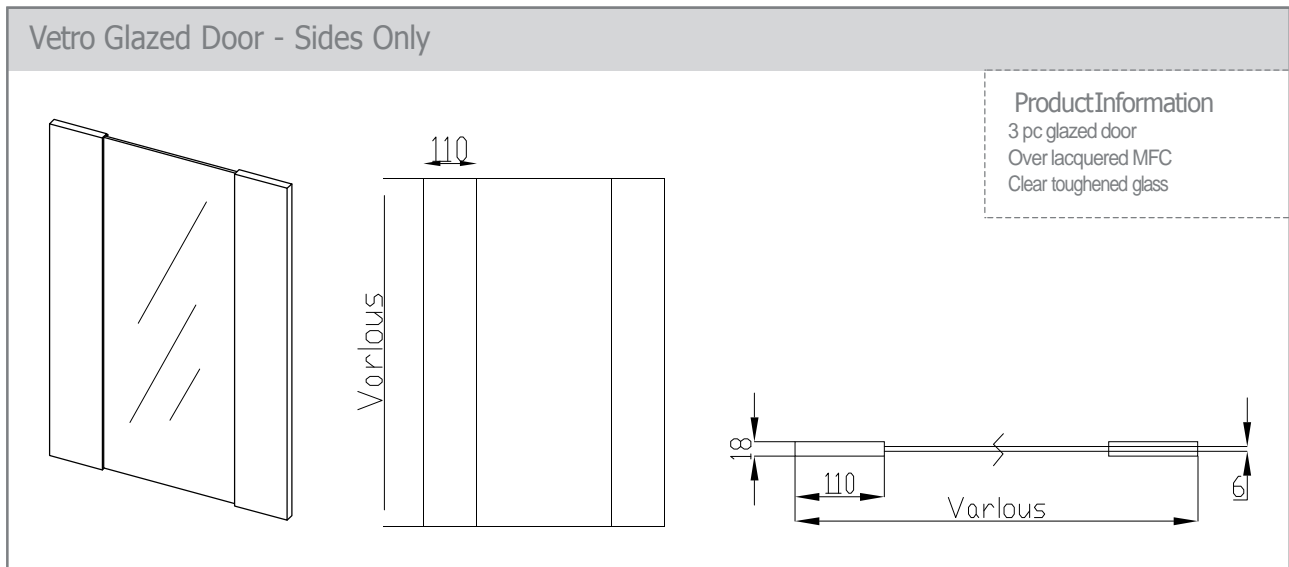


#### Product Information

Over-lacquered MFC  
Twin core PVC edge consisting of a brushed aluminium part and colour coded element

# Made to Order Doors

## Vetro Made To Measure



# Made to Order Doors

## Lucente Hand Painted Doors



Lucente Hand Painted Ivory

# Made to Order Doors

## Lucente Hand Painted Doors

### Lucente Hand Painted

Our extremely popular and ultra-contemporary Lucente door is being taken to another level as we present it in a range of chic hand painted colours. This statement handleless door offers an air of simplicity, creating the perfect kitchen in any home.



					
IVORY	WHITE	CREAM	DAKAR	OLIVE	
					EXTERNAL AND INTERNAL CURVED DOORS AND ACCESSORIES ARE AVAILABLE
LAVA	BROWN GREY	STONE GREY	MUSSEL	LIGHT GREY	
<p>Suggested MFC Board Match Board match dependent on finish selection</p>					



# Made to Order Doors

## Lucente Hand Painted Doors

### Lucente Hand Painted Ivory

Suggested Board Match: Egger U104



### Lucente Hand Painted White

Suggested Board Match: Egger W908



# Made to Order Doors

## Lucente Hand Painted Doors

### Lucente Hand Painted Cream

Suggested Board Match: Egger U108



### Lucente Hand Painted Dakar

Suggested Board Match: Egger U717





# Made to Order Doors

## Lucente Hand Painted Doors

### Lucente Hand Painted Olive

Suggested Board Match: Egger U631



### Lucente Hand Painted Lava

Suggested Board Match: Egger U741



# Made to Order Doors

## Lucente Hand Painted Doors

### Lucente Hand Painted Brown Grey

Suggested Board Match: Egger U795



### Lucente Hand Painted Stone Grey

Suggested Board Match: Egger U727



# Made to Order Doors

## Lucente Hand Painted Doors

### Lucente Hand Painted Mussel

Suggested Board Match: Egger U100



### Lucente Hand Painted Light Grey

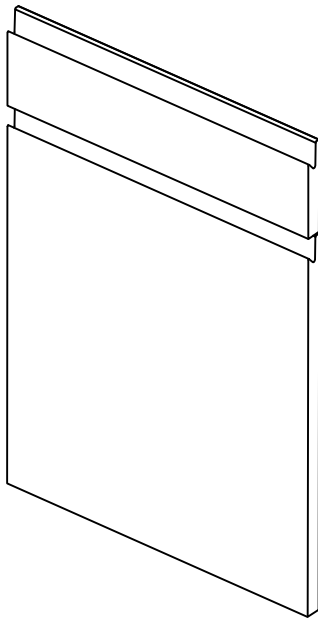
Suggested Board Match: Egger U708





# Made to Order Doors

## Lucente Hand Painted Doors



### Product Information

Product Description	Slab door with 'j' shaped groove
Product Colour	Painted Options Available
Product Finish	Matt
Base Material	MDF
Base Thickness	22mm
Covering Material	Paint
Edging Colour	To match with face
Reverse Colour	To match with face
Product Dimension	Standard door and drawer range

### Additional Information

Accessories are painted  
 No glazed option available  
 Please see Lucente door pages in the contemporary door section for drawings and technical information  
 Available on a 3 week lead time, please ask your Area Sales Manager or contact Sales for latest available lead times and for further information.

### Door & Accessory Descriptions

CODE	DESCRIPTION	CODE	DESCRIPTION	CODE	DESCRIPTION
7211059	110 x 596 SLAB	7257044	570 x 446	72CORNICESQ	SQUARE END STRAIGHT
7214029	140 x 296	7257049	570 x 496		CORNICE / PELMET
7214039	140 x 396	72157059	570 x 596	72CURVE	CURVED DOOR 715MM TALL (EXT. CURVE)
7214044	140 x 446	7271514	715 x 147		
7214049	140 x 496	7271525	715 x 256	72CURVE895MM	CURVED DOOR 895MM TALL (EXT. CURVE)
7214059	140 x 596	7271527R	715 x 273 (RH CNR WALL)**		
7214079	140 x 796	7271527L	715 x 273 (LH CNR WALL)**	72CURVECORNICESQ	SQUARE END CURVED CORNICE
7214089	140 x 896	7271529	715 x 296		/PELMET (EXT.CURVE)
7214099	140 x 996	7271531R	715 x 313 (RH CNR BASE)**	72CURVEPLINTH	CURVED PLINTH (EXT. CURVE)
7217539	175 x 396	7271531L	715 x 313 (LH CNR BASE)**	72INTWALL	CURVED WALL DOOR (INT. CURVE)***
7217549	175 x 496	7271534	715 x 345	72INTBASE	CURVED BASE DOOR (INT. CURVE)***
7217559	175 x 596	7271539	715 x 396	72INTCORNICE	SQUARE END CURVED CORNICE
7228349	283 x 496	7271544	715 x 446		/PELMET (INT.CURVE)
7228359	283 x 596	7271549	715 x 496	72INTPLINTH	CURVED PLINTH (INT. CURVE)
7228379	283 x 796	7271554	715 x 546	72EP780	END PANEL SLAB 780 x 350mm x 22mm
7228389	283 x 896	7271559	715 x 596	72EP900	END PANEL SLAB 900 x 650mm x 22mm
7228399	283 x 996	7289529	895 x 296	72EPSHAPE900	END PANEL SHAPE 900 x 650mm x 22mm
7235549	355 x 496	7289539	895 x 396	72EP2400	END PANEL SLAB 900 x 650mm x 22mm
72SB35549	355 x 496 SLAB*	7289544	895 x 446	72PLINTH	PLINTH 3050 x 150 x 18mm
7235559	355 x 596	7289549	895 x 496	72CPEXTERNAL	EXTERNAL POST SHAPED
72SB35559	355 x 596 SLAB*	7289559	895 x 596	72CPSHAPED	CORNER POST SHAPED
7235579	355 x 796	7298059	980 x 596	72CPSLAB	CORNER POST SLAB
72SB35579	355 x 796 SLAB*	72124529	1245 x 296		
7235589	355 x 896	72124539	1245 x 396		
72SB35589	355 x 896 SLAB*	72124544	1245 x 446		
7235599	355 x 996	72124549	1245 x 496		
72SB35599	355 x 996 SLAB*	72124559	1245 x 596		
7245059	450 x 596	72F35579	355 x 796 FRAME		
7249059	490 x 596	72F35599	355 x 996 FRAME		
7257029	570 x 296	72F71539	715 x 396 FRAME		
7257039	570 x 396	72F71549	715 x 496 FRAME		

\* 355 Slab doors are for the top door of a bi-fold system to allow for the fitting of the mechanism.  
 \*\* Corner doors are handed and it is advised that both LH and RH corner doors are purchased.  
 \*\*\* Internal curved doors are sold as sets

# Made to Order Doors

## Lucente Hand Painted Doors



Lucente Hand Painted Olive

# Made to Order Doors

## Lusso Hand Painted Doors

### Lusso Hand Painted

Create an elegant and exclusive look in your home by choosing our Lusso hand painted door. This high class door delivers style and sophistication, whilst the addition of curve and colour brings a bespoke and soft image to your kitchen.



					
IVORY	WHITE	CREAM	DAKAR	OLIVE	
					EXTERNAL AND INTERNAL CURVED DOORS AND ACCESSORIES ARE AVAILABLE
LAVA	BROWN GREY	STONE GREY	MUSSEL	LIGHT GREY	
Suggested MFC Board Match Board match dependent on finish selection					

# Made to Order Doors

## Lusso Hand Painted Doors

Lusso Hand Painted Ivory

Suggested Board Match: Egger U104



Lusso Hand Painted White

Suggested Board Match: Egger W908





# Made to Order Doors

## Lusso Hand Painted Doors

### Lusso Hand Painted Cream

Suggested Board Match: Egger U108



### Lusso Hand Painted Dakar

Suggested Board Match: Egger U717





# Made to Order Doors

## Lusso Hand Painted Doors

### Lusso Hand Painted Olive

Suggested Board Match: Egger U631



### Lusso Hand Painted Lava

Suggested Board Match: Egger U741



# Made to Order Doors

## Lusso Hand Painted Doors

Lusso Hand Painted Brown Grey

Suggested Board Match: Egger U795



Lusso Hand Painted Stone Grey

Suggested Board Match: Egger U727



# Made to Order Doors

## Lusso Hand Painted Doors

Lusso Hand Painted Mussel

Suggested Board Match: Egger U100



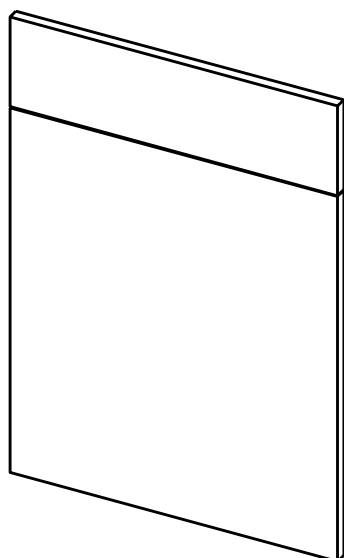
Lusso Hand Painted Light Grey

Suggested Board Match: Egger U708



# Made to Order Doors

## Lusso Hand Painted Doors



### Product Information

Product Description	Slab door
Product Colour	Painted Options Available
Product Finish	Matt
Base Material	MDF
Base Thickness	19mm
Covering Material	Paint
Edge Colour	To match with face
Reverse Colour	To match with face
Product Dimension	Standard door and drawer range

### Additional Information

Accessories are painted  
 No glazed option available  
 Please see Lusso door pages in the contemporary door section for drawings and technical information  
 Available on a 3 week lead time, please ask your Area Sales Manager or contact Sales for latest available lead times and for further information.

### Door & Accessory Descriptions

CODE	DESCRIPTION	CODE	DESCRIPTION	CODE	DESCRIPTION
7311059	110 X 596 LUSO DOOR	7357059	570 X 596 LUSO DOOR	73EP780	LUSO END PANEL 780 x 350 x 19mm
7314029	140 X 296 LUSO DOOR	7371514	715 X 147 LUSO DOOR	73EP900	LUSO END PANEL 900 x 650 x 19mm
7314039	140 X 396 LUSO DOOR	7371525	715 X 256 LUSO DOOR	73EP2400	LUSO END PANEL 2400 x 650 x 19mm
7314044	140 X 446 LUSO DOOR	7371527	715 X 277 LUSO DOOR	73PLINTH	LUSO PLINTH 150 x 3050mm
7314049	140 X 496 LUSO DOOR	7371529	715 X 296 LUSO DOOR	73CORNICESQ	LUSO STRAIGHT SQUARE END CORNICE
7314059	140 X 596 LUSO DOOR	7371531	715 X 313 LUSO DOOR	73CURVE	CURVED DOOR 715MMTALL (EXT.CURVE)
7314079	140 X 796 LUSO DOOR	7371534	715 X 345 LUSO DOOR	73CURVE895MM	CURVED DOOR 895MMTALL (EXT.CURVE)
7314089	140 X 896 LUSO DOOR	7371539	715 X 396 LUSO DOOR	73CURVECORNICESQ	LUSO EXTERNAL CURVED SQUARE END CORNICE
7314099	140 X 996 LUSO DOOR	7371544	715 X 446 LUSO DOOR	73CURVEPLINTH	LUSO EXTERNAL CURVED PLINTH
7317539	175 X 396 LUSO DOOR	7371549	715 X 496 LUSO DOOR	73INTWALL	LUSO INTERNAL CURVED WALL DOOR
7317549	175 X 496 LUSO DOOR	7371554	715 X 546 LUSO DOOR	73INTBASE	LUSO INTERNAL CURVED BASE DOOR
7317559	175 X 596 LUSO DOOR	7371559	715 X 596 LUSO DOOR	73INTCORNICE	LUSO INTERNAL CURVED SQUARE END CORNICE
7328349	283 X 496 LUSO DOOR	7389529	895 X 296 LUSO DOOR	73INTPLINTH	LUSO INTERNAL CURVED PLINTH
7328359	283 X 596 LUSO DOOR	7389539	895 X 396 LUSO DOOR		
7328379	283 X 796 LUSO DOOR	7389544	895 X 446 LUSO DOOR		
7328389	283 X 896 LUSO DOOR	7389549	895 X 496 LUSO DOOR		
7328399	283 X 996 LUSO DOOR	7389559	895 X 596 LUSO DOOR		
7335549	355 X 496 LUSO DOOR	7398059	980 X 596 LUSO DOOR		
7335559	355 X 596 LUSO DOOR	73124529	1245 X 296 LUSO DOOR		
7335579	355 X 796 LUSO DOOR	73124539	1245 X 396 LUSO DOOR		
7335589	355 X 896 LUSO DOOR	73124544	1245 X 446 LUSO DOOR		
7335599	355 X 996 LUSO DOOR	73124549	1245 X 496 LUSO DOOR		
7345059	450 X 596 LUSO DOOR	73124559	1245 X 596 LUSO DOOR		
7349059	490 X 596 LUSO DOOR	73F35579	355 x 796 FRAME		
7357029	570 X 296 LUSO DOOR	73F35599	355 x 996 FRAME		
7357039	570 X 396 LUSO DOOR	73F71539	715 x 396 FRAME		
7357044	570 X 446 LUSO DOOR	73F71549	715 x 496 FRAME		
7357049	570 X 496 LUSO DOOR				



# Made to Order Doors

## Richmond Hand Painted Doors

We are now pleased to offer our Richmond oak doors in six standard painted finishes.



Richmond Hand Painted Ivory

\*The Premium Timber stamp of approval applies to doors that are made from real wood or real wood veneers.

# Made to Order Doors

## Richmond Hand Painted Doors

Richmond Hand Painted Blue

Suggested Board Match: N/A



Richmond Hand Painted Cream

Suggested Board Match: Egger U108



# Made to Order Doors

## Richmond Hand Painted Doors

### Richmond Hand Painted French Grey

Suggested Board Match: N/A



### Richmond Hand Painted Ivory

Suggested Board Match: Egger U104



# Made to Order Doors

## Richmond Hand Painted Doors

### Richmond Hand Painted Sage Green

Suggested Board Match: N/A



### Richmond Hand Painted White

Suggested Board Match: Egger W908





# Made to Order Doors

## Richmond Hand Painted Doors

We are now pleased to offer our Richmond oak doors in six standard painted finishes.



Richmond door on island shown hand painted in French Grey

### Standard Paint Colours



White



Sage Green



Cream



Curved Door



Blue



Ivory



French Grey



Curved Cornice



Curved Pelmet



Curved Plinth

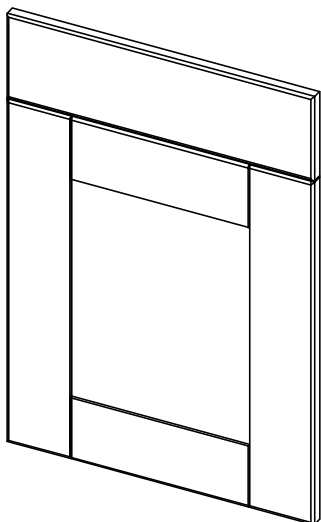
 Curved doors and profiles are available in Richmond Painted.

Board matches given are advisory only and it is up to the individual to decide on its suitability. Due to the limitations on photographic reproduction, colours may differ slightly from the actual products shown.

\*The Premium Timber stamp of approval applies to doors that are made from real wood or real wood veneers.

# Made to Order Doors

## Richmond Hand Painted Doors



### Product Information

Product Description	5pc door with flat centre panel & feature joints
Product Colour	6 standard paint colours
Product Finish	Matt
Base Material	Solid oak frame, veneered centre panel (on chipboard)
Base Thickness	20mm
Covering Material	Paint
Edging Colour	To match with face
Reverse Colour	To match with face
Product Dimension	Standard door and drawer range

### Additional Information

Lead time for Richmond Painted in standard colours is 2 - 3 weeks.  
Please see Sanded Oak Shaker door pages for drawings and technical information  
2400mm tall end panels are edged 2 long; all other end panels are edged all round

### Door & Accessory Descriptions

CODE	DESCRIPTION	CODE	DESCRIPTION	CODE	DESCRIPTION
4511059	110 X 595	4557044	570 X 445	45GCURVE	CURVE GLAZED DOOR
4514029	140 X 296	4557049	570 X 496	45CURVE	CURVEDOOR
4514039	140 X 395	4557059	570 X 596	45CURVECORNIC	CURVE TANGENT CORNICE
4514044	140 X 445	4571514	715 X 146	45CURVECORNIC	CURVE SQ. PROFILE
4514049	140 X 496	4571525	715 X 256	45CURVEPELMET	CURVE TANGENT LIGHT RAIL
4514059	140 X 596	4571527	715 X 277	45CURVEPLINTH	CURVE PLINTH
4514079	140 X 796	4571529	715 X 296	45PELMET	LIGHT RAIL TANGENT
4514089	140 X 896	4571531	715 X 313	45CORNIC	CORNICE TANGENT
4514099	140 X 996	4571534	715 X 346	45CORNIC	CORNICE SQ PROFILE
4517539	175 X 396	4571539	715 X 396	45PLINTH	PLINTH 150 x 2440mm
4517549	175 X 496	4571544	715 X 445	45MANTELBKT	MANTEL BRACKET (SINGLE)
4517559	175 X 596	4571549	715 X 495	45MANTELSHELF	MANTEL SHELF
4528349	283 X 496	4571559	715 X 595	45MANTELSIDE	MANTEL SIDE (SINGLE)
4528359	283 X 596	4589529	895 X 296	45MANTELTOP	MANTEL TOP
4528379	283 X 796	4589539	895 X 396	45MANTELKIT	MANTEL KIT COMPLETE
4528389	283 X 896	4589549	895 X 496	45COLUMN	FLOOR COLUMN
4528399	283 X 996	4589559	895 X 596	45PBARREL	BARREL PILASTER
4535549	355 X 496	4598059	980 X 596	45PREED	REEDED PILASTER
4535559	355 X 596	45124529	1245 X 296	45REND	RADIUS END CORNICE
4535579	355 X 796	45124539	1245 X 396	45REND	RADIUS END PILLAR
4535589	355 X 896	45124549	1245 X 496	45PLATE120	PLATE RACK 1200mm (SINGLE)
4535599	355 X 996	45124559	1245 X 596	45BOTTLE	BOTTLE RACK 1500MM
4545059	450 X 596	45F71539	715 X 396 FRAME	45CAN1000	CANOPY 1000mm
4549059	490 X 596	45F71549	715 X 496 FRAME	45CAN600	CANOPY 600mm
4557029	570 X 296	45F71559	715 X 596 FRAME	45WINE300	WINE FACIA 295mm
4557039	570 X 396	45F89549	895 X 496 FRAME	45WINE500	WINE FACIA 495mm
				45E78035TG	780 X 350mm T&G PANEL
				45E90065TG	900 X 650mm T&G PANEL
				45E240065TG	2400 X 650mm T&G PANEL
				45E78035	780 X 350mm VENEER PANEL
				45E90065	900 X 650mm VENEER PANEL
				45E240065	2400 X 650mm VENEER PANEL

Colour	Board Match
Cream	U108
White	W908
Ivory	U104
Blue	N/A please use Oak Grain
Sage Green	N/A please use Oak Grain
French Grey	N/A please use Oak Grain

Standard colours available.

Available on a 2-3 weeks lead time.

Board matches given are advisory only. It is up to the individual customer to decide on its suitability.

# Made to Order Doors

## Premium Hand Painted Doors

This bespoke service is available for New England and Richmond door ranges. Any paint colour is available through our bespoke hand painted service. Pick your desired colour, or alternatively bring a swatch. These bespoke paint examples show the possibilities available through this paint service.



Richmond door  
shown hand painted  
in Fallow Grey



### Bespoke Hand Painted Styles & Colours

These painted doors show examples of the possibilities available through the premium hand painted service. These colours can be replicated if required. Bespoke sample doors can also be produced; these sample doors will incur a colour mixing charge.



New England  
Yellow Birch



New England  
Cool Sienna



New England  
Mallow



Richmond  
New Earth



Richmond  
Fallow Grey



Richmond  
Chalkstone



\*The Premium Timber stamp of approval applies to doors that are made from real wood or real wood veneers.

# Made to Order Doors

## Premium Hand Painted Doors

### Curved Doors and Accessories for Richmond Premium Hand Painted



Curved Cornice



Curved Pelmet



Curved Plinth



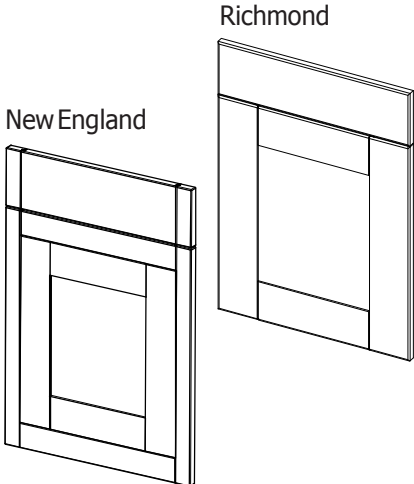
Curved Door

**e** External curved doors and profiles are available for Richmond Premium Hand Painted Doors.

Due to the limitations on photographic reproduction, colours may differ slightly from the actual products shown.

# Made to Order Doors

## Premium Hand Painted Doors



**New England**

**Richmond**

### Product Information

Product Description	New England / Richmond
Product Colour	Any painted colour
Product Finish	Any painted finish (matt)
Base Material	Please see specific door information
Base Thickness	Please see specific door information
Covering Material	Paint
Edging Colour	To match with face
Reverse Colour	To match with face
Product Dimension	Standard door and drawer range

### Additional Information

Please specify door style and colour when ordering; for bespoke colours please bring a swatch. Bespoke colour samples are possible, these bespoke paint samples will incur a colour mixing charge. Lead time for Premium Hand Painted doors is 3 weeks. Please see specific door pages for drawings and technical information

### Door & Accessory Descriptions

CODE	DESCRIPTION	CODE	DESCRIPTION	CODE	DESCRIPTION
7411059	110 X 595MM PAINTED	7471549	715 X 495MM PAINTED	45MANTELSHELF	MANTEL SHELF
7414029	140 X 296MM PAINTED	7471559	715 X 595MM PAINTED	45MANTELSIDE	MANTEL SIDE (SINGLE)
7414039	140 X 395MM PAINTED	7489529	895 X 296MM PAINTED	45MANTELTOP	MANTEL TOP
7414044	140 X 445MM PAINTED	7489539	895 X 396MM PAINTED	45MANTELKIT	MANTEL KIT COMPLETE
7414049	140 X 496MM PAINTED	7489549	895 X 496MM PAINTED	45COLUMN	FLOOR COLUMN
7414059	140 X 596MM PAINTED	7489559	895 X 596MM PAINTED	45PBARREL	BARREL PILASTER
7414079	140 X 796MM PAINTED	7498059	980 X 596MM PAINTED	45PREED	REEDED PILASTER
7414089	140 X 896MM PAINTED	74124529	1245 X 296MM PAINTED	45RENDCOR-	RADIUS END CORNICE
7414099	140 X 996MM PAINTED	74124539	1245 X 396MM PAINTED	NICE	
7417539	175 X 396MM PAINTED	74124549	1245 X 496MM PAINTED	45RENDPILLAR	RADIUS END PILLAR
7417549	175 X 496MM PAINTED	74124559	1245 X 596MM PAINTED	45PLATE120	1200MM PLATE RACK (SINGLE)
7417559	175 X 596MM PAINTED	74F71539	715 X 396MM PAINTED FRAME	45BOTTLE	1500MM BOTTLE RACK (SINGLE)
7428349	283 X 496MM PAINTED	74F71549	715 X 496MM PAINTED FRAME	45CAN1000	1000MM CANOPY
7428359	283 X 596MM PAINTED	74F71559	715 X 596MM PAINTED FRAME	45CAN600	600MM CANOPY
7428379	283 X 796MM PAINTED	74F89549	895 X 496MM PAINTED FRAME	45WINE300	295MM WINE FACIA
7428389	283 X 896MM PAINTED	74G71539	715 X 396MM PAINTED	45WINE500	495MM WINE FACIA
7428399	283 X 996MM PAINTED		GLAZED FRAME	45E78035T	780 X 350MM
7435549	355 X 496MM PAINTED	74G71549	715 X 496MM PAINTED		T&G PANEL PAINTED
7435559	355 X 596MM PAINTED		GLAZED FRAME	45E90065T	900 X 650MM
7435579	355 X 796MM PAINTED	74G71559	715 X 596MM PAINTED		T&G PANEL PAINTED
7435589	355 X 896MM PAINTED		GLAZED FRAME	45E240065T	2400 X 650MM
7435599	355 X 996MM PAINTED	74G89549	895 X 496MM PAINTED		T&G PANEL PAINTED
7445059	450 X 596MM PAINTED		GLAZED FRAME	45E78035	780 X 350MM
7449559	495 X 596MM PAINTED	74GCURVE	CURVE GLAZED		VENEER PANEL PAINTED
7457029	570 X 296MM PAINTED		DOOR PAINTED*	45E90065	900 X 650MM
7457039	570 X 396MM PAINTED	74CURVE	CURVE DOOR PAINTED*		VENEER PANEL PAINTED
7457044	570 X 445MM PAINTED	45CURVECOR-	CURVETANGENT CORNICE*	45E240065	2400 X 650MM
7457049	570 X 496MM PAINTED	NICE			VENEER PANEL PAINTED
7457059	570 X 596MM PAINTED	45CURVECOR-	CURVE SQ. PROFILE*		
7471514	715 X 146MM PAINTED	NICESQ			
7471525	715 X 256MM PAINTED	45CURVEPLMET	CURVETANGENT LIGHT RAIL*		
7471527	715 X 277MM PAINTED	45CURVEPLINTH	CURVEPLINTH*		
7471529	715 X 296MM PAINTED	45PELNET	PAINTED LIGHT RAIL TANGENT		
7471531	715 X 313MM PAINTED	45CORNICE	PAINTED CORNICE TANGENT		
7471534	715 X 346MM PAINTED	45CORNICESQ	CORNICE SQ PROFILE		
7471539	715 X 396MM PAINTED	45PLINTH	PLINTH 150 X 2440MM		
7471544	715 X 445MM PAINTED	45MANTELBKT	MANTEL BRACKET (SINGLE)		

\* Curved doors and accessories are only available for Richmond.

All door sizes and profiles listed are not available in every door range. Please see individual door ranges for more information.

Any paint colour is available through our bespoke handpainted service.

Bespoke colours are available on a 3 week lead time (Farrow & Ball / Dulux etc).

# Made to Order Doors

## Cartmel Hand Painted Doors

### Cartmel Hand Painted

Timeless in their design, our Cartmel hand painted doors create an elegant and welcoming environment in any home. The neutral tones and simplistic design offer an uncomplicated living space, one that can be matched with a plethora of accessories to create the perfect kitchen.



Cartmel Hand Painted Dakar

Cartmel Hand Painted is available in 8 standard colours; other bespoke colours are also available. Please speak to your Area Sales Manager or contact Sales for further information.

Please note: The glazed doors are Satin and not clear as shown in this image.

Please note: The stock glazed doors are Satin and not Clear as shown in this image. Frame doors are available if you wish to glaze your own doors.

<p>IVORY      WHITE      CREAM      DAKAR</p>				<h3>Handle Suggestions</h3> <p>Strap Handle 75V515</p>	
<p>LAVA      SAGE GREEN      FRENCH GREY      CHALKSTONE</p>				<p>Sendoro 75131</p>	
<p>Suggested MFC Board Match Board match dependent on finish selection</p>				<p>Molto 75201</p> <p>Handle shown on disolav / door image Bow T Bar Handle 75256</p>	



# Made to Order Doors

## Cartmel Hand Painted Doors

### Cartmel Hand Painted Ivory

Suggested Board Match: Egger U104

Please note that the Cartmel Ivory Hand Painted door is different from the stock Cartmel Ivory door.



*A perfect example of classic and contemporary working together to create the beautiful Cartmel door. Its modern look with classic characteristics provide a clean and neutral living space, which can be perfectly matched with a variety of accessories to bring depth and texture to your new kitchen.*

*The Cartmel Hand Painted Ivory door is perfect for all those wanting to create a clean and timeless look.*

### Cartmel Hand Painted White

Suggested Board Match: Egger W908



*A perfect example of classic and contemporary working together to create the beautiful Cartmel door. Its modern look with classic characteristics provide a clean and neutral living space which can be perfectly matched with a variety of accessories to bring depth and texture to your new kitchen.*

*The Cartmel Hand Painted White door creates a commodious, airy feel to any environment.*



# Made to Order Doors

## Cartmel Hand Painted Doors

### Cartmel Hand Painted Cream

Suggested Board Match: Egger U108



### Cartmel Hand Painted Sage Green

Suggested Board Match: N/A



# Made to Order Doors

## Cartmel Hand Painted Doors

### Cartmel Hand Painted French Grey

Suggested Board Match: N/A



*Hand painted perfection for a homely and classic kitchen. The Cartmel Hand Painted French Grey door is a perfect classic style door with a contemporary twist. Perfect for those wishing to retain an element of tradition while keeping up with modern trends.*

### Cartmel Hand Painted Dakar

Suggested Board Match: Egger U717



*The neutrally Hand Painted Cartmel Dakar door will strike a chord with all those wanting to create a simplistic and warm kitchen environment. Timeless in its design and colour, this is a kitchen you will adore for years to come.*

# Made to Order Doors

## Cartmel Hand Painted Doors

### Cartmel Hand Painted Lava

Suggested Board Match: Egger U741



### Cartmel Hand Painted Chalkstone

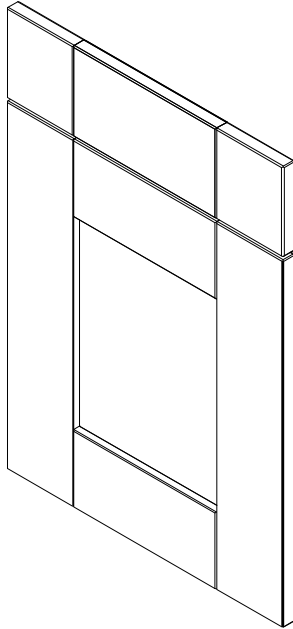
Suggested Board Match: N/A





# Made to Order Doors

## Cartmel Hand Painted Doors



### Product Information

Product Description	5 piece shaker door with flat centre panel & feature joints (Overpainted foil door)
Product Colour	Painted options available
Product Finish	Matt painted finish with an Ash Woodgrain structure
Base Material	MDF
Base Thickness	22mm (End panels are 18mm)
Covering Material	Paint (Overpainted Alkorcell Foil)
Edging / Reverse Colour	To match with face
Product Dimension	Standard door and drawer range

### Additional Information

The Cartmel Hand Painted door is an overpainted foil door. Cartmel Hand Painted doors are available on a 2-3 week lead time. Other bespoke colours are also available on a 3 week lead time; please ask your Area Sales Manager or contact Sales for latest available due date and for further information.

Plain end panels have a visible grain structure on both sides. T&G end panels are T&G (with visible grain structure) on one side and plain (with visible grain structure) on the reverse. End panels are edged all round. The grain direction is along the longest length.

Please note that the Cartmel Ivory Hand Painted door is different from the stock Cartmel Ivory door.

### Door & Accessory Descriptions

CODE	DESCRIPTION	CODE	DESCRIPTION	CODE	DESCRIPTION
8111059	110 X 596 OVEN FILLER	8171529	715 X 296 DOOR	81CURVECORNICESQ	SQUARE END CURVED CORNICE
8114029	140 X 296 DOOR	8171531	715 X 313 DOOR	81CORNICE	TANGENT CORNICE
8114039	140 X 396 DOOR	8171534	715 X 346 DOOR	81PELMET	TANGENT PELMET
8114044	140 X 446 DOOR	8171539	715 X 396 DOOR	81PLINTH	PLINTH 150 X 3050mm
8114049	140 X 496 DOOR	8171544	715 X 446 DOOR	81CURVEPLINTH	CURVED PLINTH
8114059	140 X 596 DOOR	8171549	715 X 496 DOOR	81END830350	END PANEL 830 X 350 X 18mm
8114079	140 X 796 DOOR	8171554	715 X 546 DOOR	81END900650	END PANEL 900 X 650 X 18mm
8114089	140 X 896 DOOR	8171559	715 X 596 DOOR	81END2400650	END PANEL 2400 X 650 X 18mm
8114099	140 X 996 DOOR	8189529	895 X 296 DOOR	81END2400900	END PANEL 2400 X 900 X 18mm***
8117539	175 X 396 DOOR	8189539	895 X 396 DOOR	81END2400650TG	END PANEL T&G 2400 X 650 X 18mm
8117549	175 X 496 DOOR	8189544	895 X 446 DOOR	81WINE300	296mm WINE FASCIA*
8117559	175 X 596 DOOR	8189549	895 X 496 DOOR	81BOTTLE	1500mm BOTTLE RACK*
8128349	283 X 496 DOOR	8189559	895 X 596 DOOR	81PLATE570	570mm PLATE RACK*
8128359	283 X 596 DOOR	8198059	980 X 596 DOOR	81PLATE120	1200mm PLATE RACK*
8128379	283 X 796 DOOR	81124529	1245 X 296 DOOR	81CAN600	600mm CANOPY*
8128389	283 X 896 DOOR	81124539	1245 X 396 DOOR	81CAN1000	1000mm CANOPY*
8128399	283 X 996 DOOR	81124549	1245 X 496 DOOR		
8135549	355 X 496 DOOR	81124559	1245 X 596 DOOR		
8135559	355 X 596 DOOR	81F71539	715 X 396 FRAME		
8135579	355 X 796 DOOR	81F71549	715 X 496 FRAME		
8135589	355 X 896 DOOR	81F71559	715 X 596 FRAME		
8135599	355 X 996 DOOR	81F89549	895 X 496 FRAME		
8145059	450 X 596 DOOR	81GC71539	715 X 396 CLEAR GLAZED		
8149059	490 X 596 DOOR	81GS71539	715 X 396 SATIN GLAZED		
8157029	570 X 296 DOOR	81GC71549	715 X 496 CLEAR GLAZED		
8157039	570 X 396 DOOR	81GS71549	715 X 496 SATIN GLAZED		
8157044	570 X 446 DOOR	81GC71559	715 X 596 CLEAR GLAZED		
8157049	570 X 496 DOOR	81GS71559	715 X 596 SATIN GLAZED		
8157059	570 X 596 DOOR	81GC89549	895 X 496 CLEAR GLAZED		
8171514	715 X 146 DOOR	81GS89549	895 X 496 SATIN GLAZED		
8171525	715 X 256 DOOR	81CURVE	CURVED DOOR (EXTERNAL)**		
8171527	715 X 273 DOOR	81CORNICESQ	SQUARE END STRAIGHT CORNICE		

\*These items are timber / veneered and ONLY available for Cartmel Hand Painted and NOT the Cartmel Ivory stock door range.

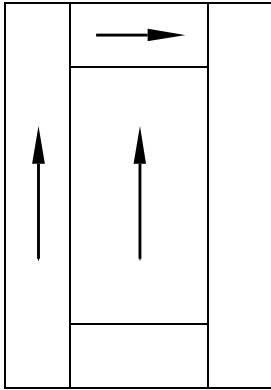
\*\*The Cartmel Curved door has a different radius to the standard CRAFTSMAN LTD stock curved doors. A for the Cartmel curved door can be purchased Code: XXRADIIISCART

\*\*\*The grain direction for this panel is along the 2400mm length

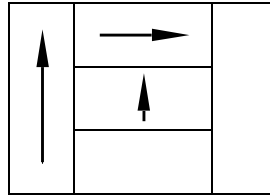
# Made to Order Doors

## Cartmel Hand Painted Doors

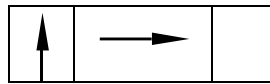
### Grain Direction



Door Grain Direction

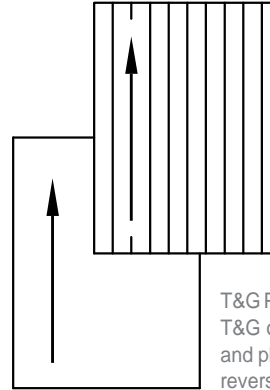


283 / 355mm



110 / 140 / 175mm

Drawer Grain Direction

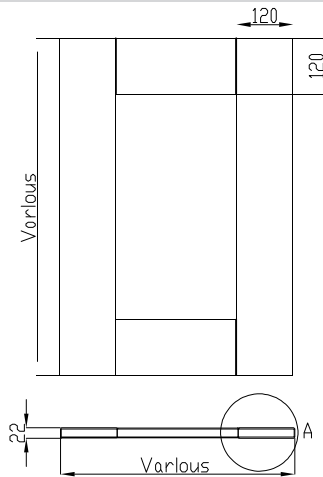
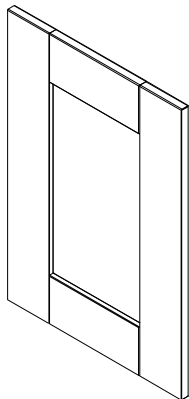


T&G Panel  
only available  
in size 2400  
x 650mm

T&G Panels are  
T&G on one side  
and plain on the  
reverse

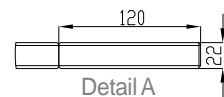
Panel Grain Direction

### Door



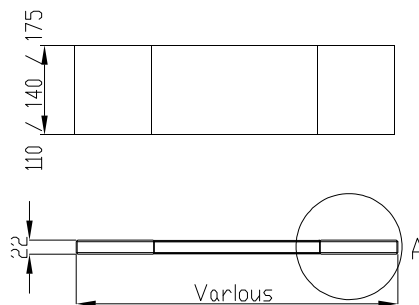
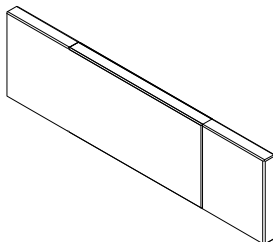
#### Product Information

5 piece shaker door with flat centre panel & feature joints  
Overpainted Foil wrapped door  
715 x 147 door is a slab door (vertical grain direction)



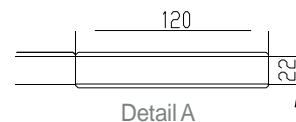
Detail A

### Drawer



#### Product Information

3 piece drawer for 110 / 140 / 175mm tall drawers  
All other drawer heights are based on the door design  
Overpainted Foil wrapped door

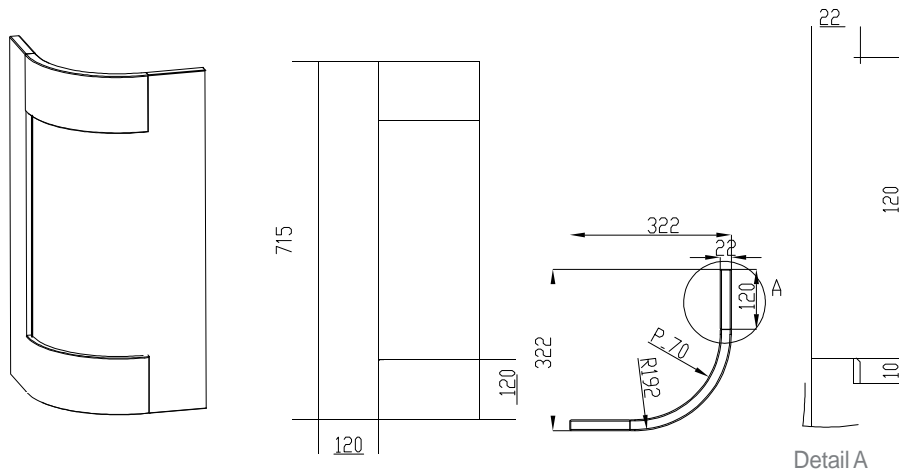


Detail A

# Made to Order Doors

## Cartmel Hand Painted Doors

### Curved Door

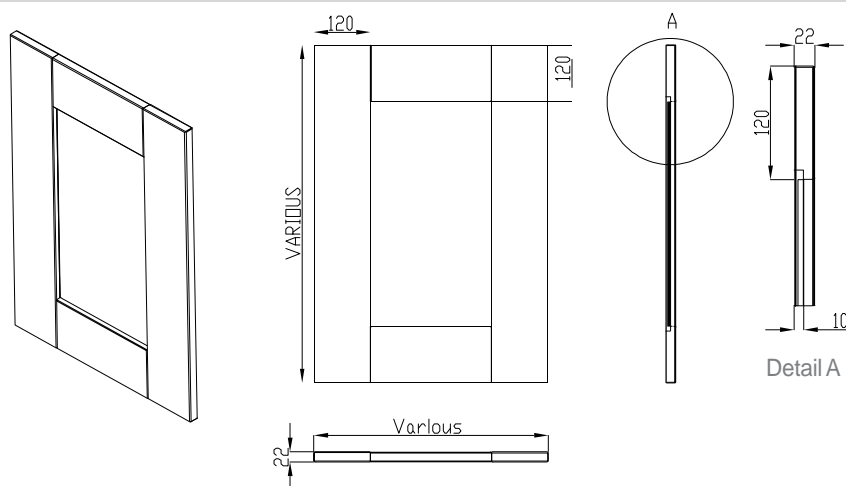


**Product Information**  
5pc piece curved door.  
Overpainted Foil wrapped door

**Product Code**  
81CURVE

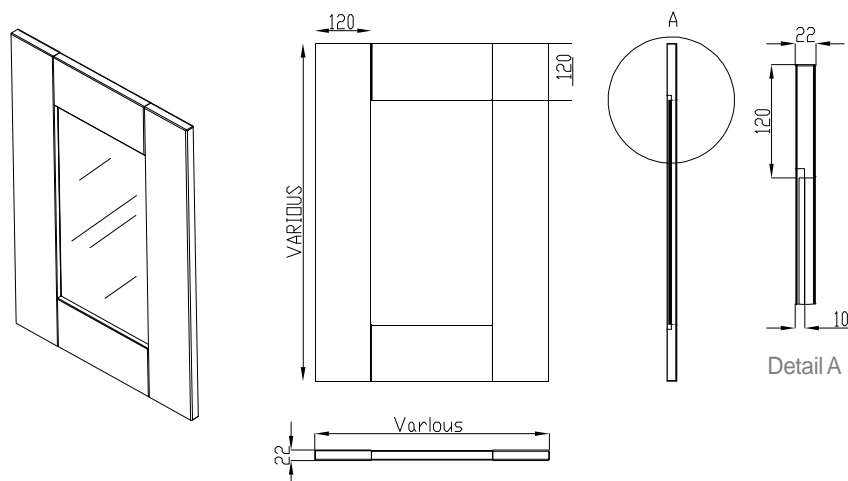
Curved carcass available for  
Cartmel:  
CODE: XXRADIUSCART

### Frame Door



**Product Information**  
Frame door  
Overpainted Foil wrapped door  
Open frame

### Glazed Frame Door

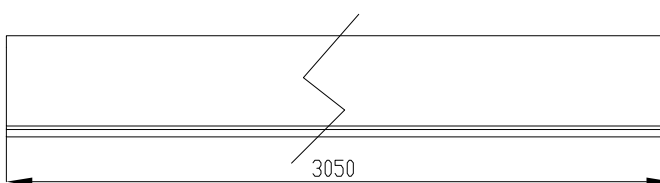
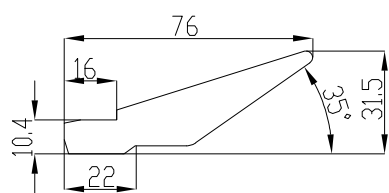
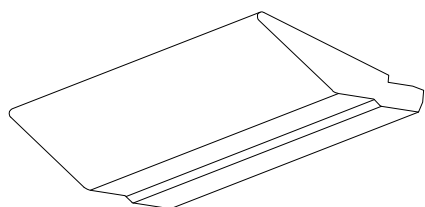


**Product Information**  
Glazed door  
Overpainted Foil wrapped door  
Satin / Clear toughened glass

# Made to Order Doors

## Cartmel Hand Painted Doors

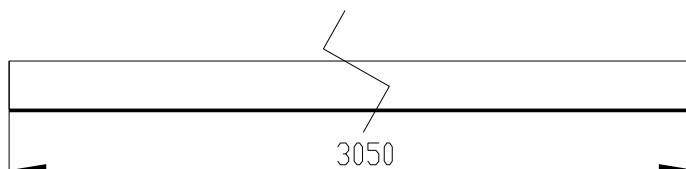
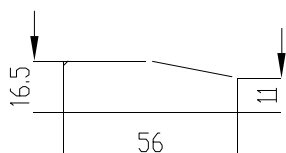
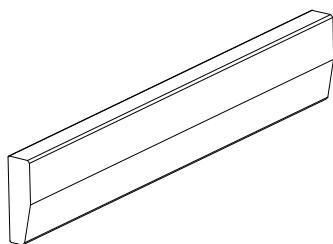
### Cornice



Product Information  
Overpainted Foil wrapped MDF

Product Code  
81CORNICE

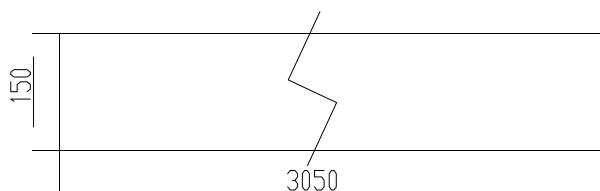
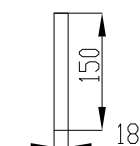
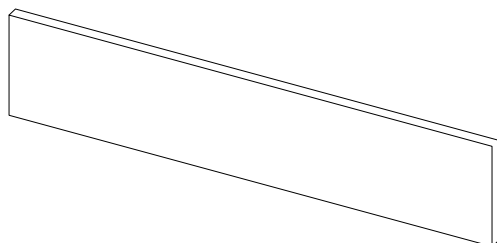
### Light Rail



Product Information  
Overpainted Foil wrapped MDF

Product Code  
81PELMET

### Plinth



Product Information  
Overpainted Foil wrapped MDF

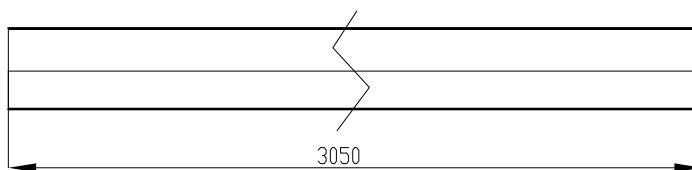
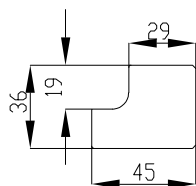
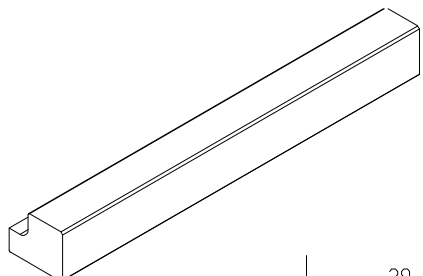
Product Code  
81PLINTH



# Made to Order Doors

## Cartmel Hand Painted Doors

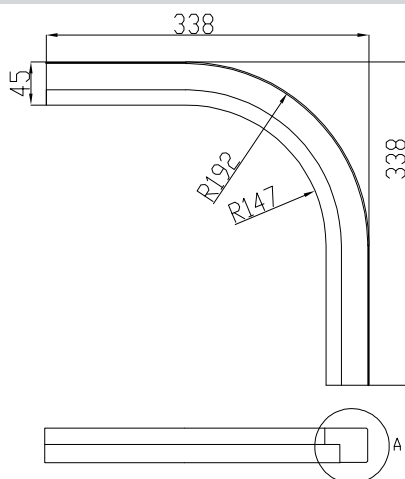
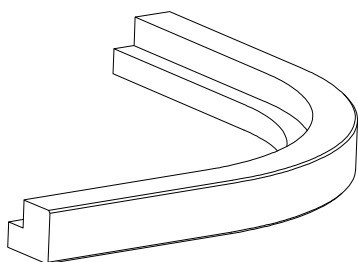
### Square End Straight Cornice / Pelmet



Product Information  
Overpainted Foil wrapped MDF

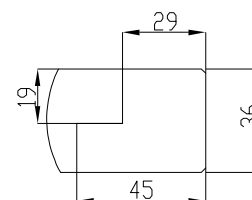
Product Code  
81CORNICESQ

### Square End Curved Cornice / Pelmet



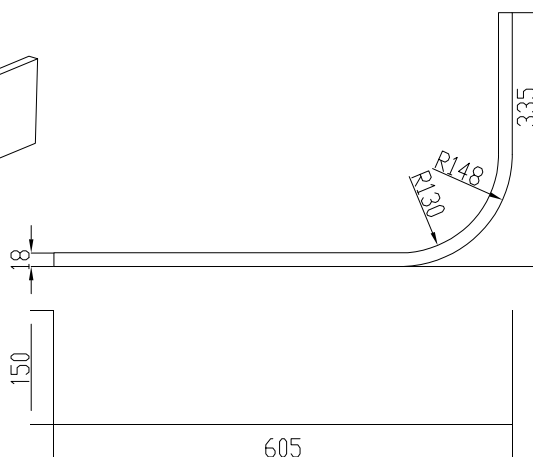
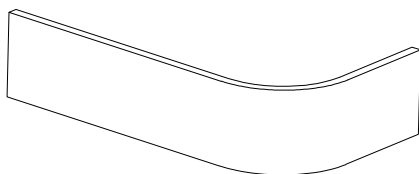
Product Information  
Overpainted Foil wrapped MDF

Product Code  
81CURVECORNICESQ



Detail A

### Curved Plinth



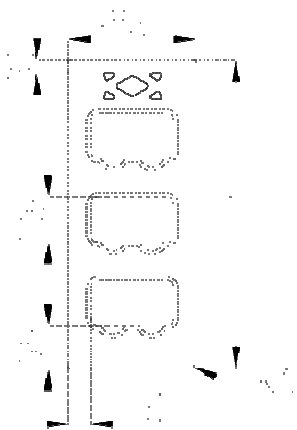
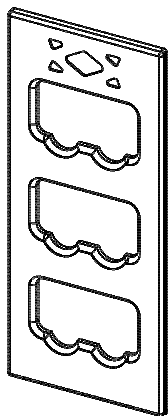
Product Information  
Overpainted Foil wrapped MDF

Product Code  
81CURVEPLINTH

# Made to Order Doors

## Cartmel Hand Painted Doors

### Wine Fascia



#### Product Information

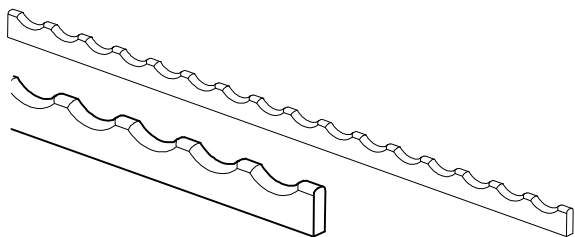
Painted oak wine fascia  
Only available for the Cartmel Hand Painted Range

#### Product Code

81WINE300



### Bottle Rack

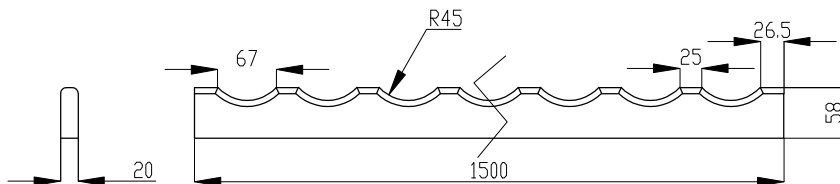


#### Product Information

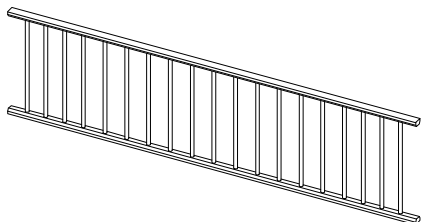
Painted oak bottle rack  
Only available for the Cartmel Hand Painted Range

#### Product Code

81BOTTLE



### Plate Rack



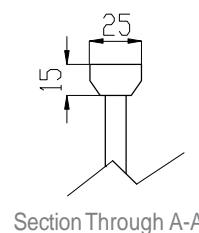
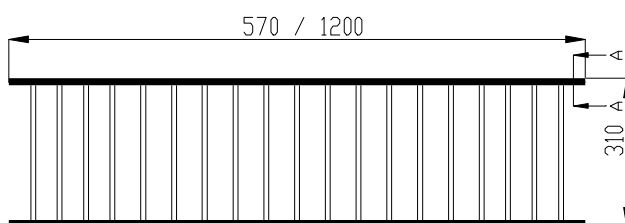
#### Product Information

Painted Oak  
Only available for the Cartmel Hand Painted Range

#### Product Code

81PLATE570

81PLATE120

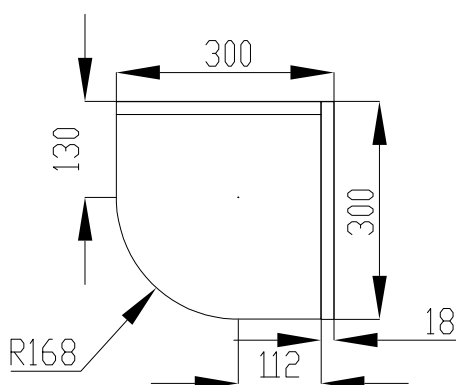
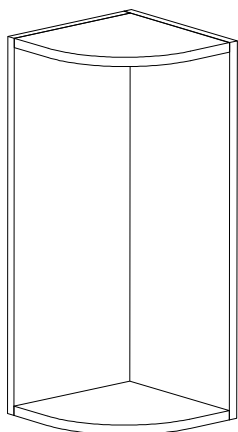


Section Through A-A

# Made to Order Doors

## Cartmel Hand Painted Doors

### CARTMEL Radius Carcase (External Curve)



#### Product Information

Radius carcase to be used with  
CARTMEL curved door ONLY

Carcase height: 720mm  
For use on a wall or as a  
feature base

Includes 1 shelf

Available in Ivory only.

CODE: 83RADIUSCART



Cartmel Hand Painted French Grey

# Made to Order Doors

## Sarana

### Sarana

A perfect combination; the timeless shaker design is combined with the white high gloss finish to create a stunning look. The addition of large steel handles gives a sleek and clean appearance which enhances this aesthetic further.



Suggested MFC Board Match  
Egger W1000 / Finsa 030G

#### Handle Suggestions



Tapered  
Strap Handle  
75306



Pitted Knob  
75904



Bullet End T Bar  
75912

Handle shown on display / door image  
Flat End Bar Handle 75429 / Bow T Bar Handle 75257

# Made to Order Doors

## Cordova

### Cordova

Sleek and stylish; the Cordova shaker doors create a sense of excitement in any kitchen. The cream high gloss finish gives a classic and ageless feel, which is further enhanced by the use of strap handles.



Suggested MFC Board Match  
Egger U108

#### Handle Suggestions



Square Cut  
Bar Handle  
75351



Square Bar Handle  
75361

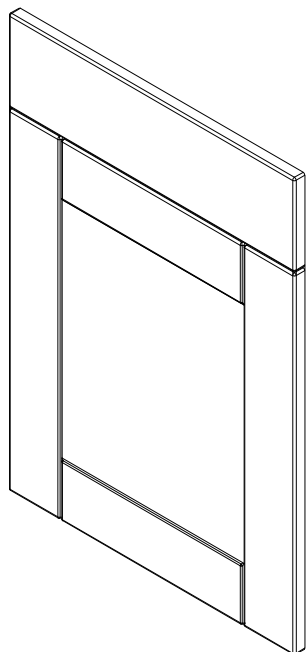


Flat T Bar  
75406

Handle shown on display / door image  
Strap Handle 75439

# Made to Order Doors

## Sarana and Cordova



### Product Information

Product Description	5pc Effect Door With Flat Centre Panel
Product Colour	White (Sarana)/Cream (Cordova)
Product Finish	High gloss
Base Material	MDF
Base Thickness	18mm
Covering Material	Vinyl wrapped
Edging Colour	To match with face
Reverse Colour	To match with face
Product Dimension	Made To Order Sizes Available

### Additional Information

Accessories are vinyl wrapped  
End panels are pressed all round  
This door range is available on a 2-3 week lead time.

### Door & Accessory Descriptions

CODE	DESCRIPTION	CODE	DESCRIPTION
XX11059	110 X 596 SARANA / CORDOVA	XX71531	715 X 313 SARANA / CORDOVA
XX14029	140 X 296 SARANA / CORDOVA	XX71539	715 X 396 SARANA / CORDOVA
XX14039	140 X 396 SARANA / CORDOVA	XX71544	715 X 446 SARANA / CORDOVA
XX14044	140 X 446 SARANA / CORDOVA	XX71549	715 X 496 SARANA / CORDOVA
XX14049	140 X 496 SARANA / CORDOVA	XX71559	715 X 596 SARANA / CORDOVA
XX14059	140 X 596 SARANA / CORDOVA	XX89529	895 X 296 SARANA / CORDOVA
XX14079	140 X 796 SARANA / CORDOVA	XX89539	895 X 396 SARANA / CORDOVA
XX14089	140 X 896 SARANA / CORDOVA	XX89549	895 X 496 SARANA / CORDOVA
XX14099	140 X 996 SARANA / CORDOVA	XX89559	895 X 596 SARANA / CORDOVA
XX17539	175 X 396 SARANA / CORDOVA	XX98059	980 X 596 SARANA / CORDOVA
XX17549	175 X 496 SARANA / CORDOVA	XX124529	1245 X 296 SARANA / CORDOVA
XX17559	175 X 596 SARANA / CORDOVA	XX124539	1245 X 396 SARANA / CORDOVA
XX28349	283 X 496 SARANA / CORDOVA	XX124544	1245 X 446 SARANA / CORDOVA
XX2835	283 X 596 SARANA / CORDOVA	XX124549	1245 X 496 SARANA / CORDOVA
9	283 X 796 SARANA / CORDOVA	XX124559	1245 X 596 SARANA / CORDOVA
XX28389	283 X 896 SARANA / CORDOVA	XXE78035	780 X 350mm END PANEL SARANA / CORDOVA
XX28399	283 X 996 SARANA / CORDOVA	XXE90065	900 X 650mm END PANEL SARANA / CORDOVA
XX35549	355 X 496 SARANA / CORDOVA	XXE240065	2400 X 650mm END PANEL SARANA / CORDOVA
XX35559	355 X 596 SARANA / CORDOVA	XXPLINTH	150 X 2550mm PLINTH SARANA / CORDOVA
XX35579	355 X 796 SARANA / CORDOVA	XXMODERN	MODERN CORNICE SARANA / CORDOVA
XX35589	355 X 896 SARANA / CORDOVA	XXCORNICESQ	SQUARE END CORNICE SQUARE SARANA*
XX35599	355 X 996 SARANA / CORDOVA		
XX45059	450 X 596 SARANA / CORDOVA		
XX49059	490 X 596 SARANA / CORDOVA		
XX57029	570 X 296 SARANA / CORDOVA		
XX57039	570 X 396 SARANA / CORDOVA		
XX57044	570 X 446 SARANA / CORDOVA		
XX57049	570 X 496 SARANA / CORDOVA		
XX57059	570 X 596 SARANA / CORDOVA		
XX71514	715 X 147 SARANA / CORDOVA		
XX71527	715 X 277 SARANA / CORDOVA		
XX71529	715 X 296 SARANA / CORDOVA		

When ordering please replace **XX** with the prefix code below  
Prefix 39 = Sarana  
Prefix 40 = Cordova  
Example: 3971549 Sarana 715 x 496mm

Please note: This door range is available in Made To Measure sizes

\*Only available in Sarana

The door listed show standard sizes; bespoke sizes are available.

Please note, the items below are also available. Please contact the Made To Measure Department for further information:

- Curved Door and Accessories
- Glazed Doors
- Frame Doors

# Made to Order Doors

## Sarana and Cordova

### Grain Direction

None

283 / 355mm

110 / 140 / 175mm

None

None

None

Door Grain Direction

Drawer Grain Direction

Panel Grain Direction

### Door

18

90

90

Various

Various

**Product Information**  
 5pc effect door with flat centre panel  
 Vinyl wrapped MDF  
 715 x 147mm is a slab door

### Drawer

18

Various

Various

110 / 140 / 175mm

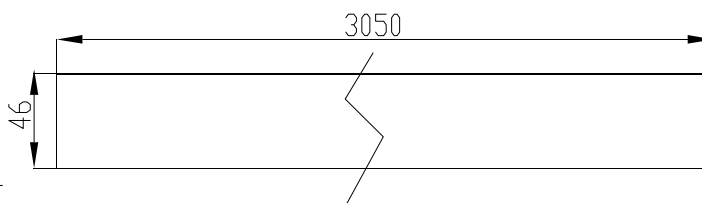
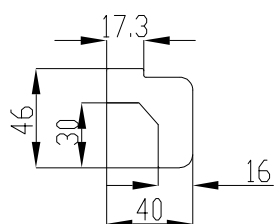
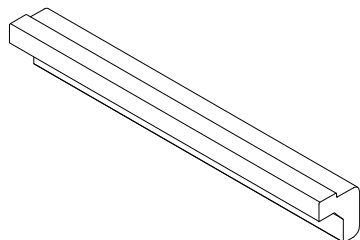
**Product Information**  
 Drawer for 110 / 140 / 175mm tall drawers  
 All other drawer heights are based on the door design  
 Vinyl wrapped MDF



# Made to Order Doors

## Sarana and Cordova

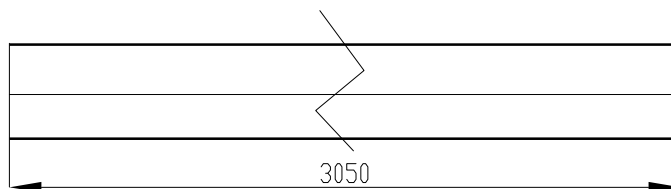
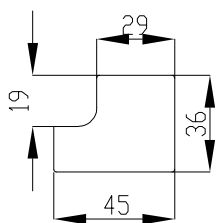
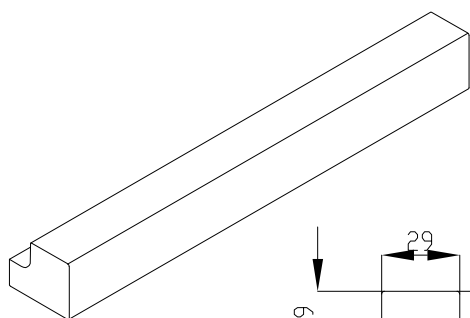
### Modern Cornice / Light Rail



**Product Information**  
Vinyl wrapped MDF

**Product Code**  
XXMODERN

### Square End Straight Cornice / Pelmet



**Product Information**  
Vinyl Wrapped MDF.

**Product Code**  
39CORNICESQ

Only available for Sarana and  
NOT Cordova

# Made to Order Doors

## Made To Measure Vinyl Doors For Kitchens

### Made to Order Vinyl Door Range for Kitchens

Available in any size from 100 x 100mm to 2400 x 900mm. Currently available in 24 different coloured vinyls and in 23 door styles, giving a large array of combinations. A swatch showing all colours is available on request.



# Made to Order Doors

## Made To Measure Glacier Doors

### Made to Order Glacier Door Range

The Glacier range uses Acrylic and PVC laminated to MDF to produce the perfect gloss surface. It can then be edged with Matching Laser Edge creating a seamless join or the Dual Edge. Ideally suited for the sleek modern kitchen, this range has the flexibility of made to measure sizes, with both curved and glazed doors available.

Available in 9 colours, the Glacier range is available on a 2 week lead time.

A swatch showing all colours is available on request. Please call our Made to Measure department for the latest lead times and expected delivery dates.

# GLACIER RANGE



WHITE



BLACK



VANILLA



NOCE



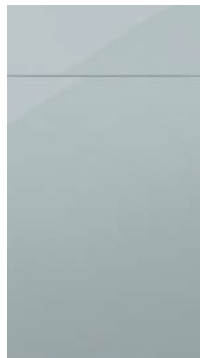
GRAPHITE



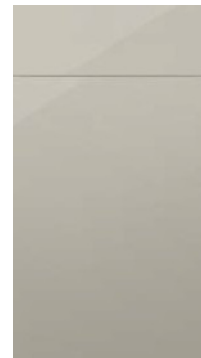
JASMINE



AUBERGINE



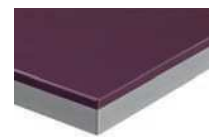
METALLIC  
BLUE\*



METALLIC  
CHAMPAGNE\*



MATCHING  
LASEREDGE



DUAL EDGE

\* Please note that the metallic colours have a visible grain.

# Made to Order Doors

## Made To Measure Glacier Doors

Glacier Black and White



Glacier Aubergine and Jasmine





# Made to Order Doors

## Made To Measure Glacier Doors

Glacier Noce and Vanilla



Glacier Graphite



# Feature Doors

## Mix and Match Doors

Clever use of an accent colour adds an extra dimension to any kitchen. Making it striking or subtle - the choice is yours.



# Feature Doors

## Steel Tambour Door



### Product Information

Product Description	Steel Tambour Door
Product Colour	Stainless Steel
Material	Plastic
Product Dimension	Sizes Are Shown Below

### Additional Information

#### Contents:

- ✘ 1 x Tambour shutter door system
- ✘ 2 x System fixing brackets
- ✘ 1 x Top fascia panel
- ✘ 1 x Bottom panel edge strip
- ✘ 2 x Door runners
- ✘ 23 x 1/2" x No.6 Csk screws

#### General Care & Maintenance:

- ✘ Clean your shutter door using a non abrasive cleaning product on a soft dry cloth
- ✘ If after time you feel the shutter mechanism needs attention, lightly smear a small amount of petroleum jelly into the inside of the door runners
- ✘ Tambour is NOT supplied with a handle
- ✘ Fitting instructions supplied with tambour in box

### Door & Accessory Descriptions

CODE	SIZES
98SHUT1250	1210 x 500
98SHUT1260	1210 x 600





# Feature Doors

## Aluminium Style Glazed Frame

Aluminium style glazed frame doors bring an element of excitement and distinction to the kitchen when accompanied with other door ranges. This door is perfect for mixing in with high gloss slab doors such as Reflections and Vetro door ranges.



Suggested MFC Board Match  
Dependent on the door range matched with

### Handle Suggestions



Bow Handle  
75922A



Peq Handle for Glazed  
Frame Door 7509

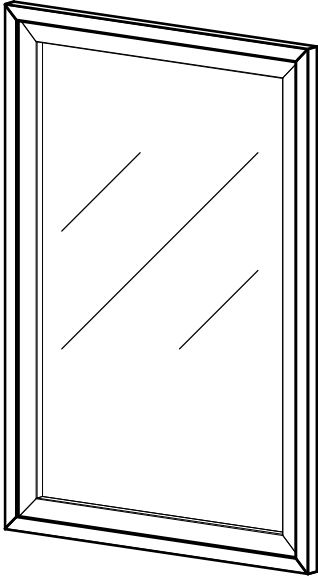


Slim Bar Handle  
75366

Handle shown on display  
Peq Handle for Glazed Frame Door 7509 /  
Square Handle 7511

# Feature Doors

## Aluminium Style Glazed Frame



### Product Information

Product Description	Glazed frame
Product Colour	Aluminium
Product Finish	Hammered
Base Material	MDF
Base Thickness	22mm
Reverse Colour	To match with face
Product Dimension	Door sizes as shown
Glass	Satin toughened glass

### Additional Information

This is an MDF framed door with a hammered aluminium effect finish  
 Maximum drilling depth 13.5mm for hinges  
 Use 5/8 x 6 screws to secure the hinges. Any dust between the frame and glass after drilling can be easily removed with a vacuum cleaner, or blown out with an air line

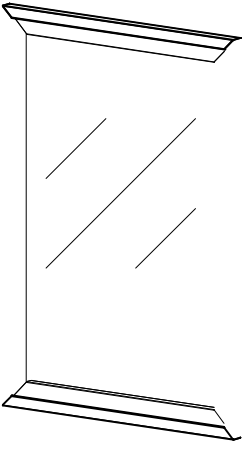
### Door Descriptions

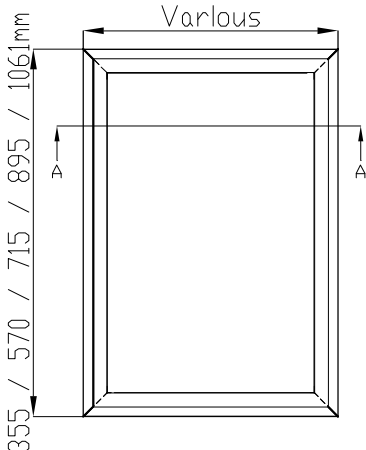
CODE	DESCRIPTION	CODE	DESCRIPTION
55A35559	355 x 596	55A71549	715 x 496
55A35579	355 x 796	55A71559	715 x 596
55A35589	355 x 896	55A89539	895 x 396
55A35599	355 x 996	55A89549	895 x 496
55A57049	570 x 496	55A89559	895 x 596
55A71539	715 x 396	55A106149	1061 x 496

Aluminium Style Glazed Frame door used with the High Gloss Reflections /Vetro doors or used as a feature door

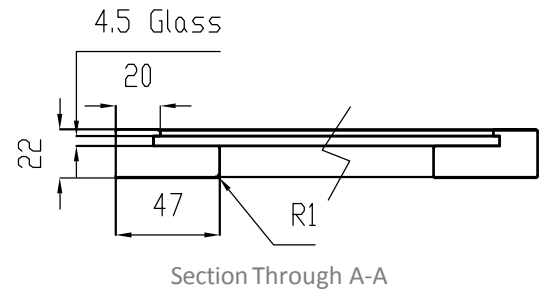
Due to the narrow frame on the door we recommend that you do not use a handle that is wider than 10mm

### Aluminium Style Glazed Frame Door





**Product Information**  
 MDF base with an aluminium hammered effect finish.



# Feature Doors

## Aluminium Effect Plinths

The perfect accompaniment to any door range. These Aluminium effect plinths will add flair and a bespoke look. External and Internal curved plinths are available to enable you to complete your desired look.



### Product Information

Product Description	Aluminium Effect Plinths
Product Colour	Brushed Aluminium
Material	Plastic
Product Dimension	Sizes as shown in the Drawings

### Additional Information


The plinth connectors can be angled to work with straight and curved plinths. They can also be used on internal and external corners.

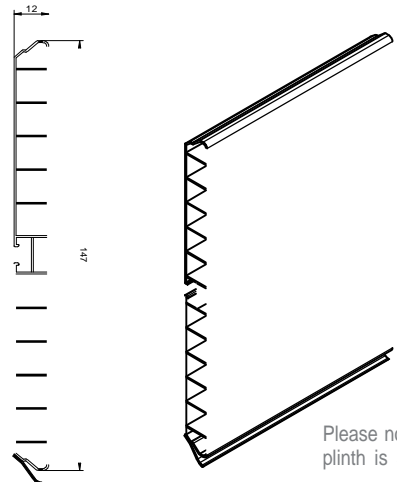
Plinth clips can also be used on corners to connect 2 plinths together.

### Descriptions

CODE	DESCRIPTION
30ALU001	MOULDED ALUMINIUM EFFECT PLINTH 3 MTR
30ALU002	ALUMINIUM EFFECT INTERNAL CURVE PLINTH
30ALU003	ALUMINIUM EFFECT EXTERNAL CURVE PLINTH
30ALU004	ALUMINIUM EFFECT PLINTH FITTINGS (2 QTY PLINTH CLIPS PLUS 2 QTY CONNECTORS / ENDS)

### Plinth





#### Product Information

Aluminium Effect Plinth

**Product Code**  
30ALU001

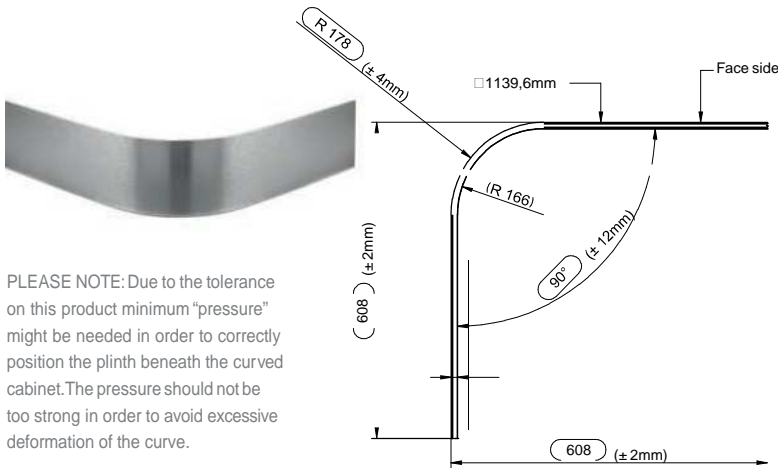
The drawing shows the correct moulded section on the reverse of the plinth (not the photo)

Please note the length of this plinth is 3000mm

# Feature Doors

## Aluminium Effect Plinths

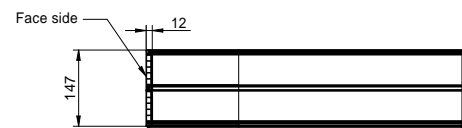
### External Curved Plinth



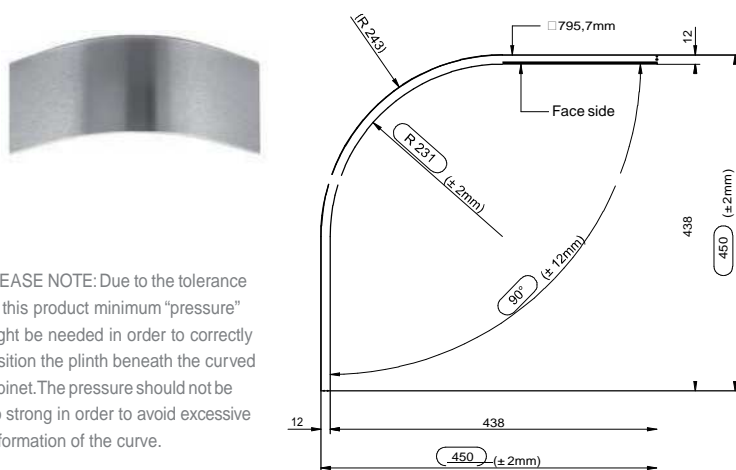
PLEASE NOTE: Due to the tolerance on this product minimum "pressure" might be needed in order to correctly position the plinth beneath the curved cabinet. The pressure should not be too strong in order to avoid excessive deformation of the curve.

**Product Information**  
External Curved Aluminium Effect Plinth

**Product Code**  
30ALU003



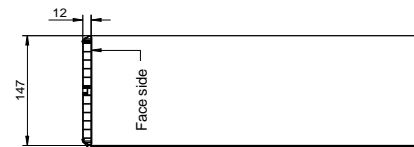
### Internal Curved Plinth



PLEASE NOTE: Due to the tolerance on this product minimum "pressure" might be needed in order to correctly position the plinth beneath the curved cabinet. The pressure should not be too strong in order to avoid excessive deformation of the curve.

**Product Information**  
Internal Curved Aluminium Effect Plinth

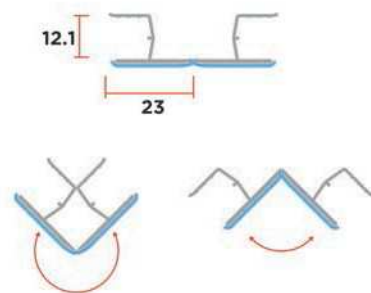
**Product Code**  
30ALU002



### Plinth Fittings



Aluminium Effect Plinth Connector / End



The plinth connectors can be angled to work with straight and curved plinths. They can also be used on internal and external corners.

**Product Information**  
Plinth Fittings Pack Includes:  
-Aluminium Effect Plinth Connectors / Ends (x2)  
-Plastic Plinth Clips (x2)

**Product Code**  
30ALU004



Plinth clip can also be used on corners to connect 2 plinths together.

**BLANK PAGE**

# Carcase

## Stock Carcase Details

### Base Carcase Specification

Manufactured from 18mm MFC  
 Base carcase external depth 560mm  
 Base carcase internal depth 492mm  
 Base units 720mm high (18mm back)  
 Tall units 1970mm high (8mm back)  
 Dresser 1210mm high (8mm back)  
 Extra Tall units 2155mm high (8mm back)  
 Wrapped MDF centre post  
 Metal cam and dowel construction  
 Metal shelf studs  
 Adjustable feet  
 PVC 0.4 edging to all exposed edges  
 Supplied without drawers  
 50mm service void

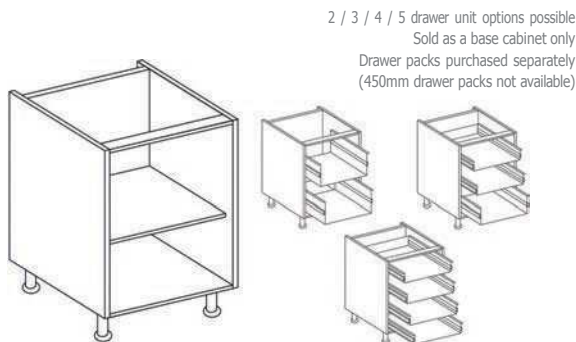
When ordering please replace XX with the prefix code below:  
 Prefix 83: Ivory  
 Prefix 84: White  
 Prefix 86: Light Calais Oak

Carcases are made from Egger board  
 Ivory - Egger U104  
 White - Egger W980  
 Oak - Egger H1319

\*\*\* Available from stock in White and Ivory only. Oak is available on a 2-3 week lead time.

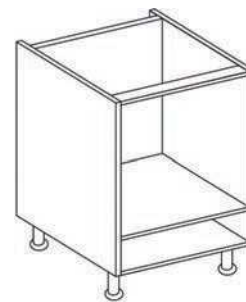
COLOUR COORDINATED CABINETS ARE AVAILABLE ON A 2-3 WEEK LEADTIME, PLEASE CONTACT US FOR FURTHER INFORMATION

### Single Base Unit



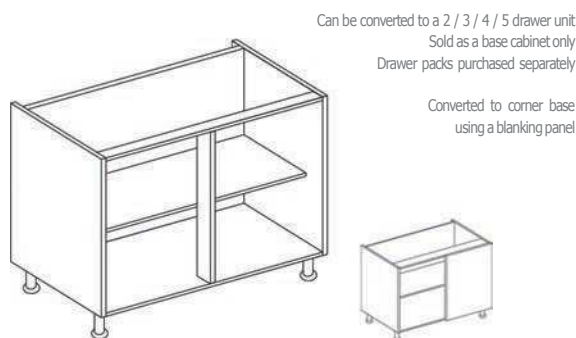
CODE	CODE
XXBASE150 150mm	XXBASE450 450mm
XXBASE300 300mm	XXBASE500 500mm
XXBASE400 400mm	XXBASE600 600mm

### Built Under Oven Unit



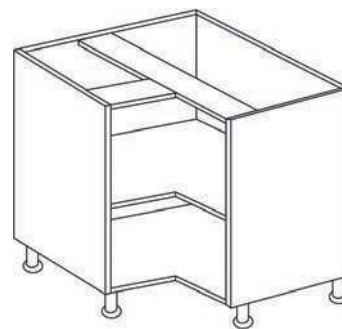
CODE
XXUOH600 600mm

### Double Base Unit



CODE	CODE
XXBASE800 800mm	To convert to a corner base use a 500mm blanking panel, which can be cut to size
XXBASE900 900mm	
XXBASE1000 1000mm	
XXBLANK 500mm Blank	

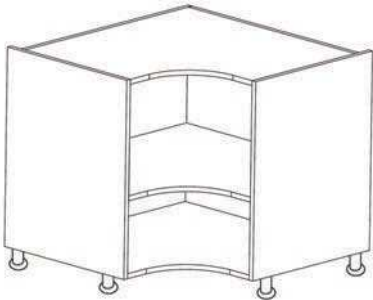
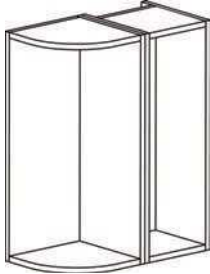
### Corner Base Unit

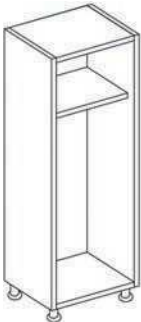
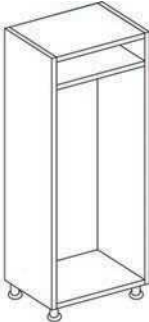
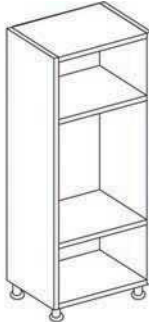


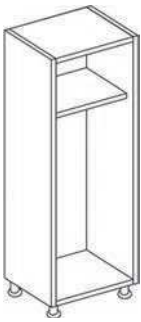
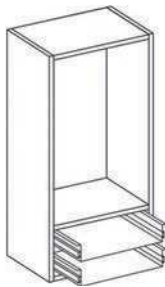
CODE
XXCBASE900 900 X 900mm

# Carcase

## Stock Carcase Details

Internal Curved Corner Base Unit	External Radius Base Unit
	 <p>Legs are not supplied with curved base carcase</p>
<b>CODE</b> XXINTBASE 900 x 900mm internal curved base This product is only available in White & Ivory	<b>CODE</b> XXRADIUS 300x300x720mm 83RADIUSCART 300 x 300 x 720mm (Cartmel curved door carcase) Only available in Ivory 83DENTONRADIUS 300 x 300 x 720mm (Denton Ivory curved door carcase) Only available in Ivory XXBASE260 260mm (For use with radius base carcase)

Tall Appliance Unit		
 <p>Larder Unit</p>	 <p>Fridge Freezer Unit</p>	 <p>Double Oven Housing Unit</p>
<p>The Tall Appliance Unit is a multi purpose unit. Supplied with gabel ends and a shelf pack            Enough shelves provided for a Larder Unit, Fridge Freezer Unit or a Double Oven Housing            Tall Appliance carcase height 1970mm. Supplied with an 8mm back.</p>		
<b>CODE</b> XXTALL600 600mm		

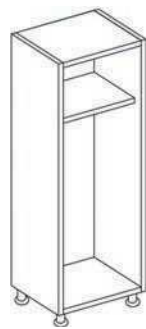
Larder Unit	Dresser Unit
	
<b>CODE</b> XXLARDER300 300mm XXLARDER400 400mm XXLARDER500 500mm Carcase height: 1970mm Supplied with an 8mm back	<b>CODE</b> XXDRESS500 500mm XXDRESS600 600mm 2 Drawer Dresser unit Drawers sold separately Dresser height: 1210mm Dresser has an 8mm back



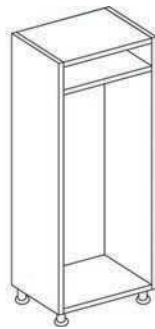
# Carcase

## Stock Carcase Details

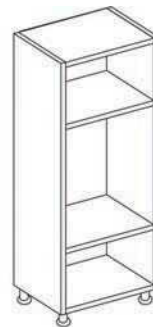
### Extra Tall Appliance Unit



Larder Unit



Fridge Freezer Unit



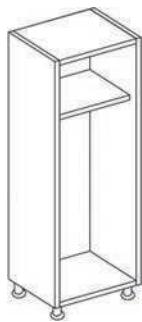
Double Oven Housing Unit

CODE

XXTTALL600 600mm\*\*\*

The Extra Tall Appliance Unit is a multi purpose unit. Supplied with gabel ends and a shelf pack. Enough shelves provided for a Larder Unit, Fridge Freezer Unit or a Double Oven Housing. Extra Tall Appliance carcase height 2155mm. Supplied with an 8mm back.

### Extra Tall Larder Unit



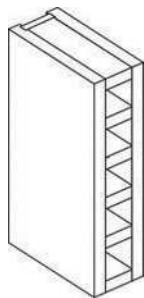
CODE

XXTLARDER300 300mm\*\*\*  
 XXTLARDER400 400mm\*\*\*  
 XXTLARDER500 500mm\*\*\*

Carcase height: 2155mm  
 Supplied with an 8mm back.

### 150mm Wine Rack (ONLY AVAILABLE IN TITANIUM)

**FEATURE UNIT**



CODE

85150WRW 150mm Wine Rack

This carcase is only available in TITANIUM as a feature carcase. Carcase is shallow depth.

### Wall Carcase Specification

Manufactured from 18mm MFC  
 Wall carcase external depth 300mm  
 Wall carcase internal depth 270mm  
 Wall units 720mm high  
 Tall wall units 900mm high  
 Bridging Units 360mm high  
 8mm back  
 MFC centre post  
 Metal cam and dowel construction  
 Metal shelf studs  
 Supplied with concealed cabinet hangers  
 PVC 0.4 edging to all exposed edges

When ordering please replace XX with the prefix code below:

Prefix 83: Ivory  
 Prefix 84: White  
 Prefix 86: Light Calais Oak

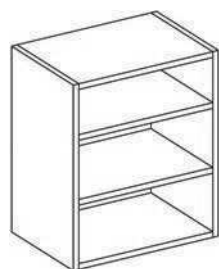
Carcases are made from Egger board

Ivory - Egger U104  
 White - Egger W980  
 Oak - Egger H1319

\*\*\* Available from stock in White and Ivory only. Oak is available on a 2-3 week lead time.

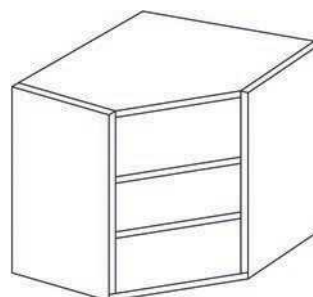
COLOUR COORDINATED CABINETS ARE AVAILABLE ON A 2-3 WEEK LEADTIME, PLEASE CONTACT US FOR FURTHER INFORMATION

### Single Wall Unit



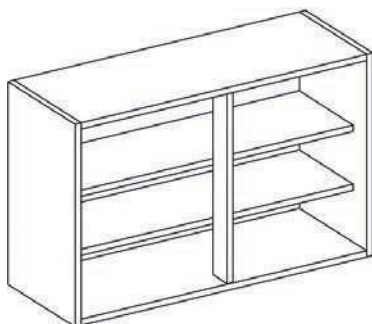
CODE	CODE
XXWALL300 300mm	XXWALL500 500mm
XXWALL400 400mm	XXWALL600 600mm
XXWALL450 450mm	

### Splay Corner Wall Unit (720mm / 900mm)



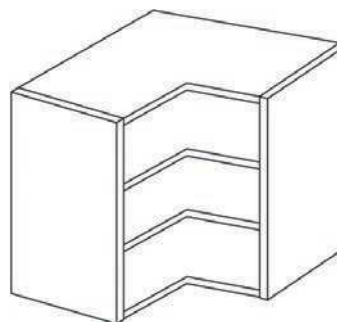
CODE
XXDWALL600 600 X 600mm (720mm tall) Suitable for a 400mm door.
XXTDWALL600*** 600 X 600mm (900mm tall) Suitable for a 400mm door.

### Double Wall Unit



CODE	CODE
XXWALL800 800mm	XXWALL1000 1000mm
XXWALL900 900mm***	

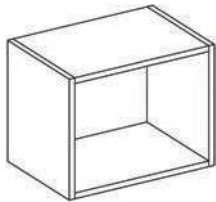
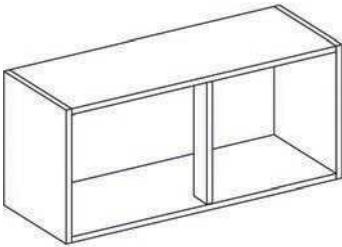
### L Shaped Corner Wall Unit

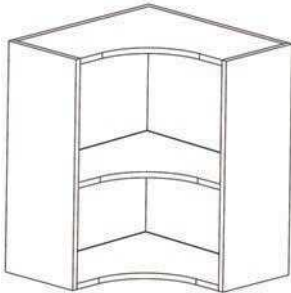
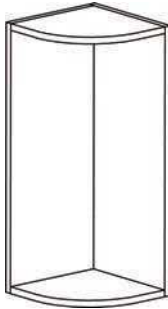


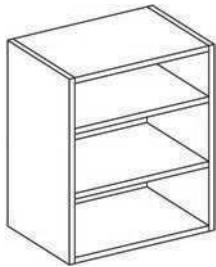
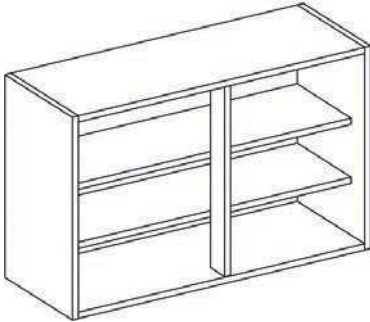
CODE
XXCWALL600 600 X 600mm

# Carcase

## Stock Carcase Details

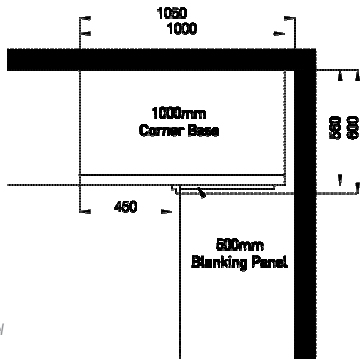
Bridging Unit (500mm / 600mm Wide)		Bridging Unit (800mm - 1000mm Wide)	
			
CODE		CODE	
XXBRIDGE500	500mm	XXBRIDGE800	800mm
XXBRIDGE600	600mm	XXBRIDGE900	900mm ***
		XXBRIDGE1000	1000mm

Internal Curved Corner Wall Unit		External Curved Wall Unit	
			
CODE		CODE	
XXINTWALL	600 x 600mm internal curved wall	XXRADIUS	300x300x720mm
This product is only available in White & Ivory		XXTCURVE	300 x 300 x 900mm***
		83RADIUSCART	300 x 300 x 720mm (Cartmel curved door carcass) Only available in Ivory
		83DENTONRADIUS	300 x 300 x 720mm (Denton Ivory curved door carcass) Only available in Ivory

Tall Single Wall Unit (900mm Tall)		Tall Double Wall Unit (900mm Tall)	
			
CODE		CODE	
XXTWALL300	300mm***	XXTWALL500	500mm***
XXTWALL400	400mm***	XXTWALL600	600mm***
XXTWALL450	450mm***	XXTWALL800	800mm***
		XXTWALL900	900mm***
		XXTWALL1000	1000mm***

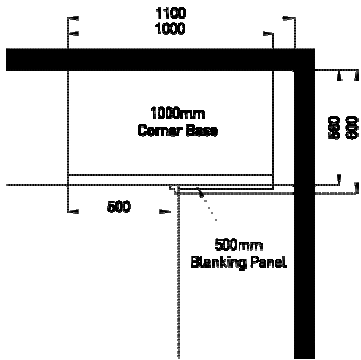
### Corner Base Carcase Details

1000mm double base unit with a 500mm blanking panel  
For use with a 446mm wide door



NOTE:  
Blanking panel  
can be cut  
to size

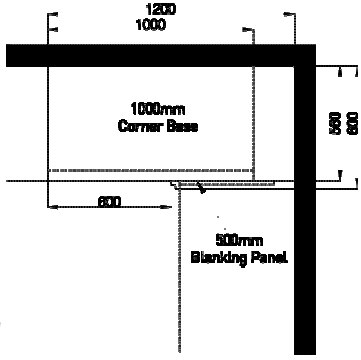
1000mm double base unit with a 500mm blanking panel  
For use with a 496mm wide door



NOTE:  
Blanking panel  
can be cut  
to size

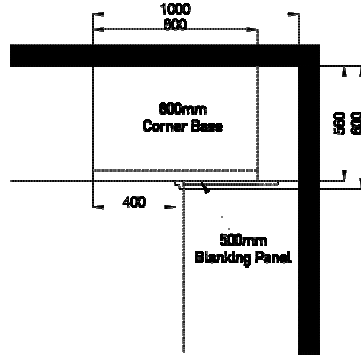
### Corner Base Carcase Details

1000mm double base unit with a 500mm blanking panel  
For use with a 596mm wide door



NOTE:  
Blanking panel  
can be cut  
to size

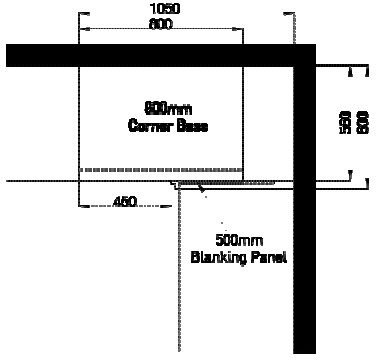
800mm double base unit with a 500mm blanking panel  
For use with a 396mm wide door



NOTE:  
Blanking panel  
can be cut  
to size

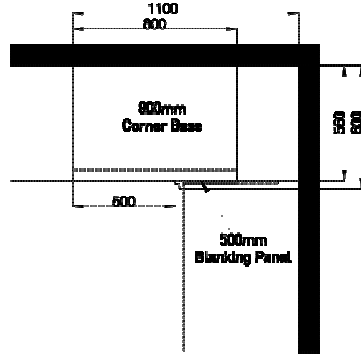
### Corner Base Carcase Details

800mm double base unit with a 500mm blanking panel  
For use with a 446mm wide door



NOTE:  
Blanking panel  
can be cut  
to size

800mm double base unit with a 500mm blanking panel  
For use with a 496mm wide door



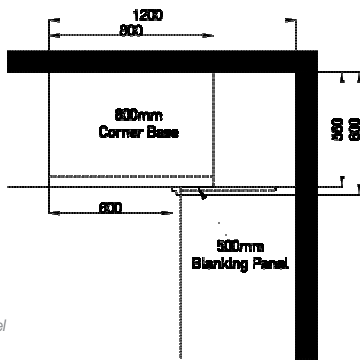
NOTE:  
Blanking panel  
can be cut  
to size

# Carcase

## Stock Carcase Details

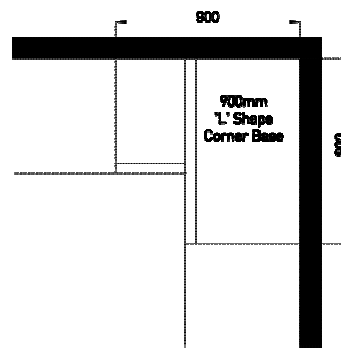
### Corner Base Carcase Details

800mm double base unit with a 500mm blanking panel  
For use with a 596mm wide door



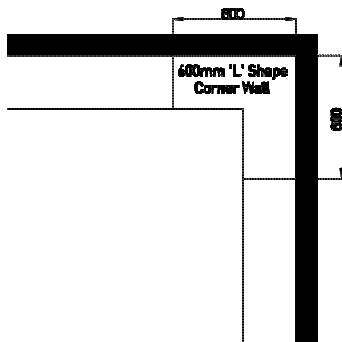
NOTE:  
Blanking panel  
can be cut  
to size

Corner base unit - 900 X 900mm  
For use with 715 X 313 Doors  
Use 170 degree and pie cut hinges when connecting doors

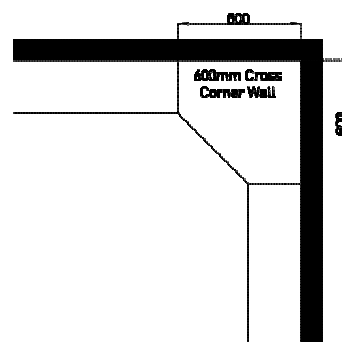


### Corner Wall Carcase Details

L Shaped corner wall unit - 600 X 600mm  
For use with 715 X 277 / 273 doors  
Use 170 degree and pie cut hinges when connecting doors



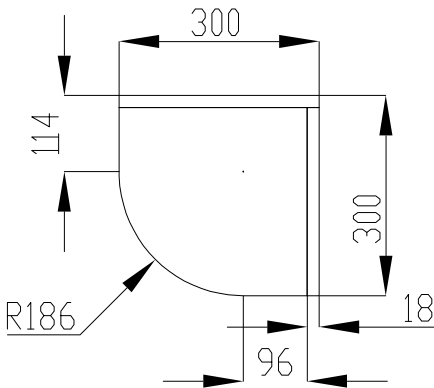
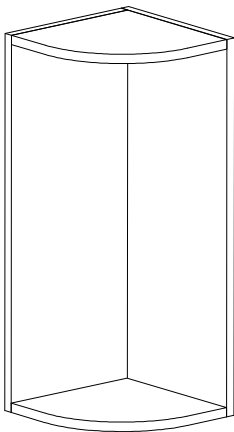
Corner wall unit - 600 X 600mm  
For use with a 715 X 396mm door  
Use 45 degree hinges



# Carcase

## Stock Carcase Details

### STANDARD Radius Carcase (External Curve)



#### Product Information

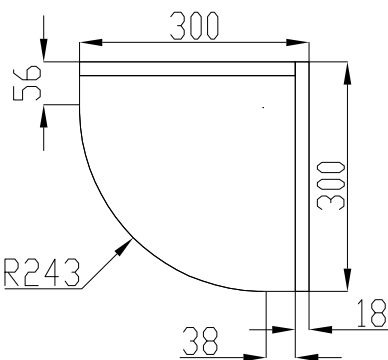
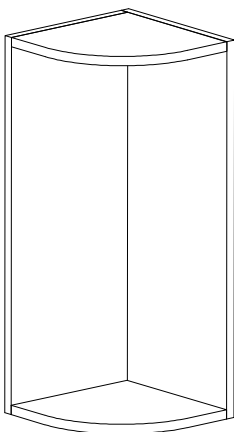
Radius carcase to be used with majority of CRAFTSMAN LTD stock curved doors

Carcase height: 720 / 900mm\*  
For use on a wall or as a feature base.  
Includes 1 shelf (900mm has 2 shelves)

Only available in Ivory / White and Oak  
720mm CODE: XXRADIUS  
900mm CODE: XXTCURVE\*

\*Please note 900mm tall WALL 'STANDARD CURVED CARCASE' is only available in White and Ivory from stock.

### DENTON IVORY Radius Carcase (External Curve)



#### Product Information

Radius carcase to be used with DENTON IVORY curved door ONLY

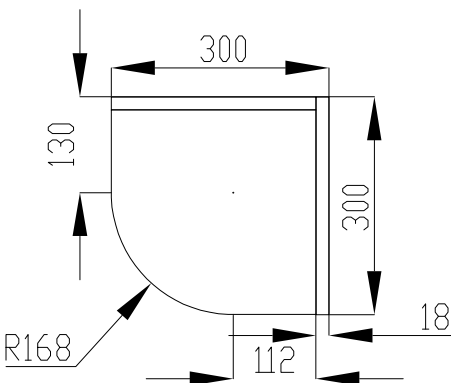
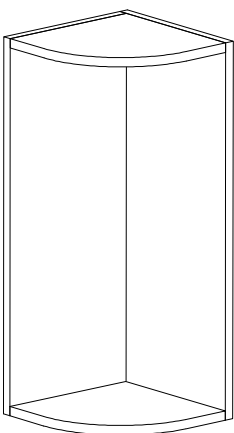
Carcase height: 720mm  
For use on a wall or as a feature base

Includes 1 shelf

Only available in Ivory

CODE: 83DENTONRADIUS

### CARTMEL Radius Carcase (External Curve)



#### Product Information

Radius carcase to be used with CARTMEL curved door ONLY

Carcase height: 720mm  
For use on a wall or as a feature base

Includes 1 shelf

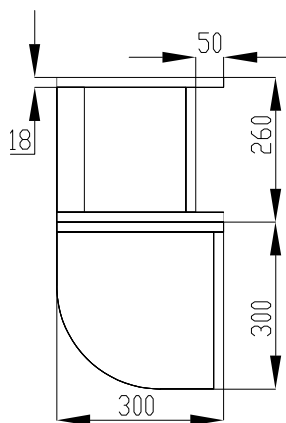
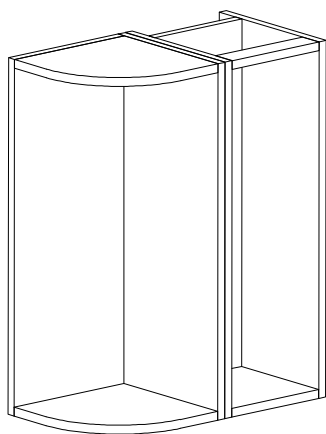
Only available in Ivory

CODE: 83RADIUSCART

# Carcase

## Stock Carcase Details

### STANDARD Radius Base Carcase (External Curve)

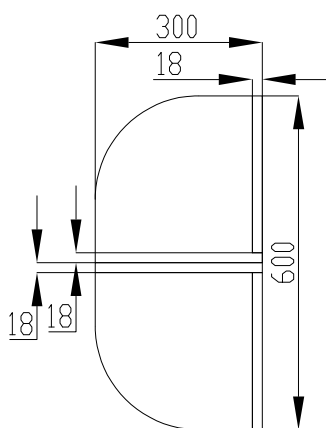
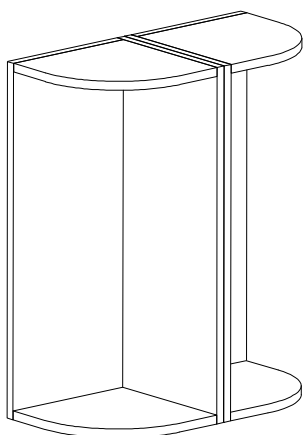


#### Product Information

715 X 256mm door to be used with curved door

Carcase height: 720  
For use as a standard base curve on the end of a kitchen run

### STANDARD Double Radius Base / Wall Carcase (External Curve)



#### Product Information

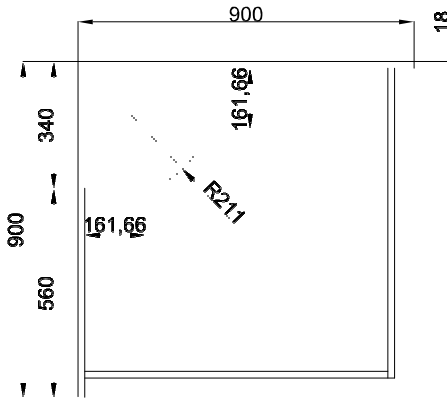
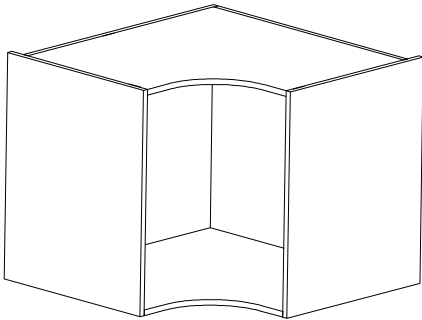
2 x carcasses to be used with two curved doors

Carcase height: 720/900mm\*  
For use on an Island unit or on the wall

\*Please note 900mm tall WALL 'STANDARD CURVED CARCASE' is only available in White and Ivory from stock.



### 900 x 900 Base Corner Carcase (Internal Curve)



**Product Information**

For use as a standard base  
900 x 900 corner.  
Carcase height: 720mm

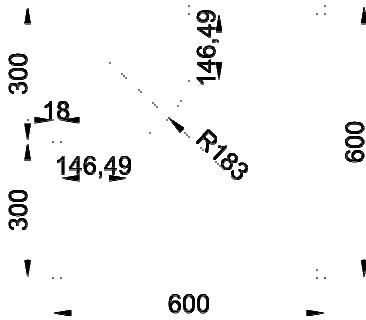
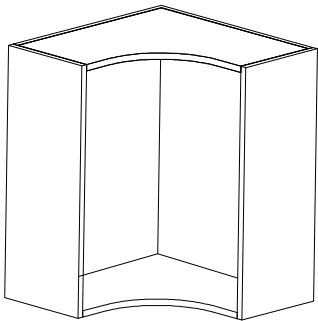
To be used with internal curved  
base doors.

Includes 1 shelf and carcase legs

Use 170 degree hinges with the  
doors.

**Product Code**  
XXINTBASE

### 600 x 600 Wall Corner Carcase (Internal Curve)



**Product Information**

For use as a standard wall  
600 x 600 corner.  
Carcase height: 720mm

To be used with internal curved  
wall doors

Includes 1 shelf and carcase legs

Use 170 degree hinges with the  
doors.

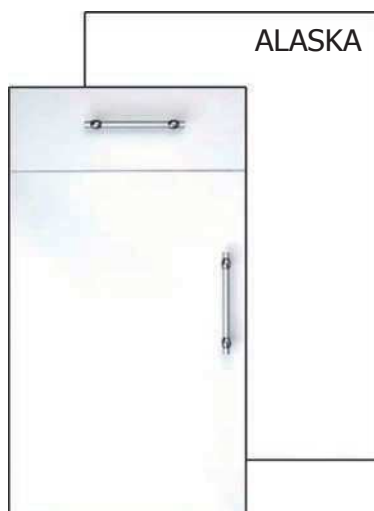
**Product Code**  
XXINTWALL

# Panels

## Fitters Panel

Fitters panels are perfect to incorporate with CRAFTSMAN LTD stock doors, end panels and accessories to complete the colour co-ordinated aesthetic at a very competitive price. These panels are available from stock to match CRAFTSMAN LTD doors as shown.

*NOTE: Board matches given are advisory only. It is up to the individual to decide on its suitability.*



Door: Alaska  
 Size: 2400 x 610mm  
 Panel Thickness: 18mm  
 Edge: 0.4mm PVC edge,  
 Edged 2 long  
 Board Order Code: 3046F



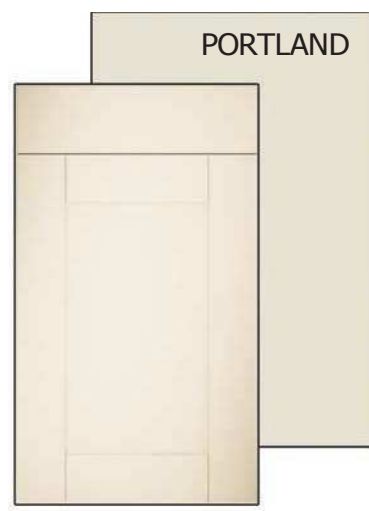
Door: Madison Wenge  
 Size: 2400 x 610mm  
 Panel Thickness: 18mm  
 Edge: 2mm PVC edge,  
 Edged 2 long  
 Board Order Code: 3026F



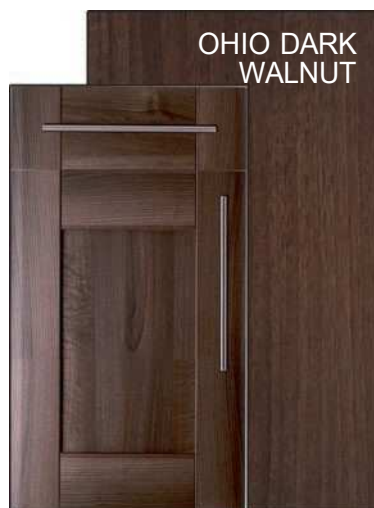
Door: Boston  
 Size: 2400 x 610mm  
 Panel Thickness: 18mm  
 Edge: 0.4mm PVC edge,  
 Edged 2 long  
 Board Order Code: 3027F



Door: Calgary  
 Size: 2400 x 610mm  
 Panel Thickness: 18mm  
 Edge: 0.4mm PVC edge,  
 Edged 2 long  
 Board Order Code: 3044F



Door: Portland  
 Size: 2400 x 610mm  
 Panel Thickness: 18mm  
 Edge: 0.4mm PVC edge,  
 Edged 2 long  
 Board Order Code: 3032F



Door: Ohio Dark Walnut  
 Size: 2400 x 610mm  
 Panel Thickness: 18mm  
 Edge: 0.4mm PVC edge,  
 Edged 2 long  
 Board Order Code: 3029F



Door: Ohio Light Walnut  
 Size: 2400 x 610mm  
 Panel Thickness: 18mm  
 Edge: 0.4mm PVC edge,  
 Edged 2 long  
 Board Order Code: 3022F



Door: Ohio Cream  
 Size: 2400 x 610mm  
 Panel Thickness: 18mm  
 Edge: 0.4mm PVC edge,  
 Edged 2 long  
 Board Order Code: 3034F



Door: Ohio Oak  
 Size: 2400 x 610mm  
 Panel Thickness: 18mm  
 Edge: 0.4mm PVC edge,  
 Edged 2 long  
 Board Order Code: 3038F



Door: New Jersey  
 Size: 2400 x 610mm  
 Panel Thickness: 18mm  
 Edge: 0.4mm PVC edge,  
 Edged 2 long  
 Board Order Code: 3031F

# Made to Order Doors

## Made To Measure Glacier Doors For Bedrooms

### Made to Order Glacier Door Range

The Glacier range uses Acrylic and PVC laminated to MDF to produce the perfect gloss surface. It can then be edged with Matching Laser Edge creating a seamless join or the Dual Edge. Ideally suited for the sleek modern bedroom, this range has the flexibility of made to measure sizes, with both curved and glazed doors available.

Available in 9 colours, the Glacier range is available on a 2 week lead time.

A swatch showing all colours is available on request. Please call our Made to Measure department for the latest lead times and expected delivery dates.

\* Please note that the metallic colours have a visible grain.

## GLACIER RANGE



WHITE



BLACK



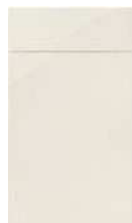
VANILLA



NOCE



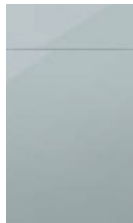
GRAPHITE



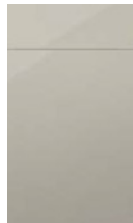
JASMINE



AUBERGINE



METALLIC  
BLUE\*



METALLIC  
CHAMPAGNE\*



MATCHING  
LASEREDGE

DUAL EDGE



Glacier  
Jasmine



Glacier  
White and Noce

# Bedroom Doors

## Made To Measure Vinyl Doors For Bedrooms

### Made to Order Vinyl Door Range for Bedrooms

Available in any size from 100 x 100mm to 2400 x 900mm. Currently available in 24 different coloured vinyls and in 23 door styles, giving a large array of combinations. A swatch showing all colours is available on request. Please call our Made to Measure department for the latest lead times and expected delivery dates.



Shaker  
White Avola



Geneva  
Walnut



Rialto  
Rift Oak



# Bedroom Doors

## Made To Measure Vinyl Doors For Bedrooms



# Bedroom Doors

## Made To Measure Vinyl Doors For Bedrooms





# Board Matches

## Board Matches to Door Range

Below is a list of suggested board matches to TK Components door ranges. Please note that the board matches are only a suggestion and better suited boards may be available on the market. It is up to the individual customer to decide on its suitability.

Door Style	Board Match	Door Style	Board Match
Lucente Black	Egger U999		Kronospan U514
Lucente White	EggerW1000	New Jersey	Egger U108
Lucente Cream	Egger U104	Calgary	Egger H1731
Lusso White	EggerW1000		Egger H1582
Lusso Cream	Egger U104		Kronospan D1639
Reflections Black	Egger U999	Hand Painted White	EggerW908
Reflections Cream	Egger U222	Hand Painted Ivory	Egger U104
Reflections Oak	Egger H1334	Hand Painted Cream	Egger U108
Reflections Graphite	Egger U961	Hand Painted Blue	n/a
Reflections Olivewood	Egger H3030	Hand Painted Sage Green	n/a
	Alternative is to	Hand Painted French Grey	n/a
	use a Black or	Hand Painted Dakar	Egger U717
	White Board	Hand Painted Lava	Egger U741
Reflections Aubergine	Egger U330	Hand Painted Chalkstone	n/a
Reflections Zebrano	Egger H3005	Hand Painted Olive	Egger U631
Reflections Mocha	Egger U222	Hand Painted Brown Grey	Egger U795
Reflections Walnut	Egger H3704	Hand Painted Mussel	Egger U100
Reflections Burgundy	Egger U311	Hand Painted Stone Grey	Egger U727
Vivo White	EggerW1100	Hand Painted Light Grey	Egger U708
Madison Wenge	Egger H1478		
Madison Cream Ash	n/a	Vetro Made To Measure	Please use the
Alaska	Finsa 030G		same board
	EggerW1000		matches as those
Cream High Gloss	Egger U108		shown in
Richmond	Egger H3368		Reflections
Ohio Light Walnut	Egger H3703	Sarana	Finsa 030G
Ohio Cream	Egger U104		EggerW1000
Ohio Oak	Kronospan D305	Cordova	Egger U108
	Egger H1334		
Ohio Dark Walnut	Egger H3704		
Cartmel Ivory	Egger U104		
Indiana	Egger H3368		
Delaware Ivory	Egger U104		
Sanded Oak Shaker	n/a		
New England	Egger H3368		
Denton Ivory	Egger U104		
Dakota	Egger H3368		
Maine	Egger H3368		
Portland	Egger U104		
Boston	Egger U104		

# Handles

Whether you are looking for an ultra contemporary or traditional handle, we have a large array of designs to

# Handles

## Contemporary Handles

DESCRIPTION	CODE	LENGTH	DEPTH	HEIGHT	HOLE CENTRE	FINISH	PRODUCT IMAGE
MASSIV BLOCK END HANDLE	75470	168	36	20	128	BRUSHED STEEL	
	75471	234	36	20	192		
	75472	334	36	20	292		
	75473	434	36	20	392		
	75474	534	36	20	492		
	75475	634	36	20	592		
	75476	934	36	20	892		
	75477	1234	36	20	1192		
MASSIV BLOCK KNOB	75478	70	40	20	N/A	BRUSHED STEEL	
MASSIV BLOCK END HANDLE	75450	150	40	18	128	ALUMINIUM	
	75451	214	40	18	192		
	75452	314	40	18	292		
	75454	514	40	18	492		
	75455	614	40	18	592		
	75456	914	40	18	892		
	75457	1214	40	18	1192		
	STEEL BAR HANDLE	75440	220	45	20		
75441		284	45	20	224		
75442		352	45	20	292		
75443		452	45	20	392		
75444		552	45	20	492		
75445		652	45	20	592		
75446		812	45	20	752		
75447		1152	45	20	1092		
FLAT ENDED T BAR HANDLE	75230	156	30	10	96	BRUSHED STEEL	
	75231	188	30	10	128		
	75232	220	30	10	160		
	75233	316	30	10	256		
	75234	420	30	10	360		
	75235	508	30	10	448		
	75236	668	30	10	608		
	75237	830	30	10	770		
	75238	1140	30	10	1080		
	BULLET END T BAR	75911	156	35	12		
75911A		188	35	12	128		
75912		220	35	12	160		
75913		316	35	12	256		
75913A		420	35	12	360		
75914		508	35	12	448		
75915		668	35	12	608		
75915A		830	35	12	770		
75915B		1140	35	12	1080		

# Handles

## Contemporary Handles

DESCRIPTION	CODE	LENGTH	DEPTH	HEIGHT	HOLE CENTRE	FINISH	PRODUCT IMAGE
BAR HANDLE	75413	142	30	15	128	ALUMINIUM	
	75414	175	30	15	160		
	75415	240	30	15	224		
	75416	335	30	15	320		
	75417	464	30	15	448		
BOWT BAR	75255	168	30	15	128	BRUSHED STEEL	
	75256	200	30	15	160		
	75257	296	30	15	256		
	75258	360	30	15	320		
FLAT END BAR HANDLE	75425	104	26	12	96	BRUSHED STEEL	
	75426	136	26	12	128		
	75427	168	26	12	160		
	75428	264	26	12	256		
	75429	328	26	12	320		
BLOCK END BAR HANDLE	75430	126	34	12	96	BRUSHED STEEL	
	75431	158	34	12	128		
	75432	190	34	12	160		
	75433	286	34	12	256		
	75434	350	34	12	320		
BAR DROP HANDLE	7570	177	45	50	160	BRUSHED STEEL	
	7571	334	45	50	320		
SQUARE CUT BAR HANDLE	75350	106	28	12	96	BRUSHED STEEL	
	75351	138	28	12	128		
	75352	170	28	12	160		
	75353	265	28	12	256		
	75354	330	28	12	320		

# Handles

## Contemporary Handles

DESCRIPTION	CODE	LENGTH	DEPTH	HEIGHT	HOLE CENTRE	FINISH	PRODUCT IMAGE
HALF MOON BAR HANDLE	75355	110	30	20	96	BRUSHED STEEL	
	75356	140	30	20	128		
	75357	174	30	20	160		
	75358	264	30	20	256		
	75359	332	30	20	320		
SQUARE BAR HANDLE	75360	107	30	12	96	BRUSHED STEEL	
	75361	140	30	12	128		
	75362	170	30	12	160		
	75363	266	30	12	256		
	75364	336	30	12	320		
SLIM BAR HANDLE	75365	200	31	8	128	SATIN CHROME	
	75366	238	31	8	160		
	75367	346	31	8	256		
	75368	428	31	8	320		
STRAP BAR HANDLE	75370	115	25	25	96	BRUSHED STEEL	
	75371	146	25	25	128		
	75372	178	25	25	160		
	75373	275	25	25	256		
WIDE D HANDLE	75374	137	28	27	128	BRUSHED STEEL	
	75375	170	28	27	160		
	75376	264	28	27	256		
	75377	328	28	27	320		
BLOCK END BAR	75V504	184	37	15	160	BRUSHED STEEL	
	75V505	236	37	15	212		
	75V506	336	37	15	312		
	75V507	436	37	15	412		
	75V508	656	37	15	630		

# Handles

## Contemporary Handles

DESCRIPTION	CODE	LENGTH	DEPTH	HEIGHT	HOLE CENTRE	FINISH	PRODUCT IMAGE
PICO	75160 75161 75162 75163	171 203 299 395	38 38 38 38	28 28 28 28	160 192 288 384	BRUSHED STEEL	
SLIMT BAR	75410 75411	182 290	26 26	7 7	160 256	BRUSHED STEEL	
FLATT BAR	75406	207	25	30	160	SATIN	
BOWT BAR	75214	164	30	10	128	SATIN	
BOLITA WHITE HANDLE	75260	240	30	31	160 / 192	WHITE	

# Handles

## Contemporary Handles

DESCRIPTION	CODE	LENGTH	DEPTH	HEIGHT	HOLE CENTRE	FINISH	PRODUCT IMAGE
BOLITA BLACK HANDLE	75261	240	30	31	160 / 192	BLACK	
BOLITA GREEN HANDLE	75262	240	30	31	160 / 192	GREEN	
BOLITA ORANGE HANDLE	75263	240	30	31	160 / 192	ORANGE	
BOLITA WHITE KNOB	75264	52	24	50	32	WHITE	
BOLITA BLACK KNOB	75265	52	24	50	32	BLACK	
BOLITA GREEN KNOB	75266	52	24	50	32	GREEN	



# Handles

## Contemporary Handles

DESCRIPTION	CODE	LENGTH	DEPTH	HEIGHT	HOLE CENTRE	FINISH	PRODUCT IMAGE
BOLITA ORANGE KNOB	75267	52	24	50	32	ORANGE	
BOLITA WHITE HANDLE WITH CHROME STRIP	75268	240	32	11	192 / 224	WHITE / CHROME	
BOLITA BLACK HANDLE WITH CHROME STRIP	75269	240	32	11	192 / 224	BLACK / CHROME	
TRANSLUCENT HANDLE WITH CHROME FEET	75270	231	29	34	192	CLEAR / CHROME	
ALTO THIN HANDLE	75220 75221 75222 75223	142 173 270 334	25 25 25 25	12 12 12 12	128 160 256 320	BRUSHED STEEL	
ARCO	75171	182	30	10	160	BRUSHED STEEL	







# Handles

## Contemporary Handles

DESCRIPTION	CODE	LENGTH	DEPTH	HEIGHT	HOLE CENTRE	FINISH	PRODUCT IMAGE
METIS	75181	208	32	12	160	BRUSHED STEEL	
CORREA	75960	126	30	10	96	BRUSHED STEEL	
CORREA	75961 75962 75963	222 286 350	30 30 30	10 10 10	192 256 320	BRUSHED STEEL	
CORREA	75964	670	30	10	2 HOLES AT 320mm APART	BRUSHED STEEL	
AGONIA	75480 75481 75482 75483	60 158 190 222	25 25 25 25	40 40 40 40	32 96 128 160	BRUSHED STEEL	
HONEYCOMB EFFECT KNOB	75390	50	30	50	32	BRUSHED STEEL	







# Handles

## Contemporary Handles

DESCRIPTION	CODE	LENGTH	DEPTH	HEIGHT	HOLE CENTRE	FINISH	PRODUCT IMAGE
HONEYCOMB EFFECT SQUARE HANDLE	75391	178	25	30	160	BRUSHED STEEL	
CONVUS KNOB	75392	45	20	37	32	BRUSHED STEEL	
CONVUS HANDLE	75393	150	20	37	128	BRUSHED STEEL	
LACONA	75394	174	20	50	160	BRUSHED STEEL	
LAMINGTON	75395	196	20	48	160	BRUSHED STEEL	
LAPAC	75396	216	28	25	160	BRUSHED STEEL	

# Handles

## Contemporary Handles

DESCRIPTION	CODE	LENGTH	DEPTH	HEIGHT	HOLE CENTRE	FINISH	PRODUCT IMAGE
GALATEA	75397	210	25	35	192	LEATHER EFFECT / CHROME	
QUADRO FORO	75150	175	25	30	160	BRUSHED STEEL	
QUADRO ANGOLO	75151	180	25	30	160	BRUSHED STEEL	
QUADRO ARGENTO	75152	170	25	30	160	BRUSHED STEEL	
QUADRO SCURO	75153	170	25	30	160	BRUSHED STEEL / BLACK	
NERITA	75110	125	29	45	32	BRUSHED STEEL / MATT BLACK	

# Handles

## Contemporary Handles

DESCRIPTION	CODE	LENGTH	DEPTH	HEIGHT	HOLE CENTRE	FINISH	PRODUCT IMAGE
NEWBURY	75145	142	29	45	128	BRUSHED STEEL / MATT BLACK	
SANGAI	75115	55	30	55	32	BRUSHED STEEL	
SAMAU	75120 75121 75122	200 265 360	40 40 40	40 40 40	160 224 320	BRUSHED STEEL	
SENDORO	75130 75131 75132	200 265 360	23 23 23	30 30 30	160 224 320	BRUSHED STEEL	
MOLTO	75200 75201 75202 75203	212 245 340 405	32 32 35 37	32 32 32 32	128 160 256 320	BRUSHED STEEL	
ABARO	75205 75206 75207 75208	123 156 190 287	28 28 28 28	35 35 35 35	96 128 160 256	BRUSHED STEEL	


# Handles

## Contemporary Handles

DESCRIPTION	CODE	LENGTH	DEPTH	HEIGHT	HOLE CENTRE	FINISH	PRODUCT IMAGE
ACUTO HANDLE	75245 75246	196 457	29 29	26 26	160 416	POLISHED CHROME	
ACUTO HANDLE	75248 75249	196 457	29 29	26 26	160 416	BRUSHED STEEL	
BOW HANDLE	7589	110	25	10	96	SATIN	
BOW HANDLE	75240 75241 75242	185 256 360	30 30 30	10 10 10	160 224 320	BRUSHED STEEL	
BOW HANDLE	75922 75924 75926	185 256 360	30 30 30	10 10 10	160 224 320	CHROME	
BOW HANDLE	75922A 75924A 75926A	185 256 360	30 30 30	10 10 10	160 224 320	MATT CHROME	

# Handles

## Contemporary Handles

DESCRIPTION	CODE	LENGTH	DEPTH	HEIGHT	HOLE CENTRE	FINISH	PRODUCT IMAGE
BOW HANDLE	75923 75925 75927	185 256 360	30 30 30	10 10 10	160 224 320	NICKEL	
POINTED WAVE HANDLE	75211 75212	160 190	22 22	15 15	96 128	MATTCHROME	
BLOCK HANDLE	7560 7561	177 240	30 30	25 25	160 224	MATTCHROME	
TAPERED STRAP HANDLE	75306	170	25	18	128	MATTCHROME	
BOW HANDLE	75307	160	27	16	128	BRUSHED STEEL	
BOW POINTED T BAR	75216	170	30	10	128	SATIN NICKEL	






# Handles

## Contemporary Handles

DESCRIPTION	CODE	LENGTH	DEPTH	HEIGHT	HOLE CENTRE	FINISH	PRODUCT IMAGE
PITTED BAR HANDLE	75901	120	27	16	96	SATIN	
PITTED KNOB	75904	32	25	32	N/A	CHROME	
PITTED BAR HANDLE	75902 75902A	120 154	27 27	16 16	96 128	CHROME	
PEG HANDLE FOR GLASS FRAME DOOR	7509	10	25	10	N/A	SATIN	
LETTERBOX HANDLE	75250 75251 75252 75253 75254	60 142 207 270 334	30 30 30 30 30	45 45 45 45 45	32 128 192 256 320	BRUSHED STEEL	
SQUARE HANDLE	7511	70	25	70	60	MATTCROME	

# Handles

## Contemporary Handles

DESCRIPTION	CODE	LENGTH	DEPTH	HEIGHT	HOLE CENTRE	FINISH	PRODUCT IMAGE
SQUARE HANDLE	7512	140	25	70	130	MATTCHROME	
SQUARE HANDLE	7513	70	25	70	60	POLISHED CHROME	
SQUARE HANDLE	7514	140	25	70	130	POLISHED CHROME	
STRAP HANDLE	75437 75438 75439	170 235 268	25 25 25	20 20 20	160 224 256	ALUMINIUM	
STRAP HANDLE	75409	260	25	18	224	MATTCHROME	
SQUARE DROP HANDLE	7552	140	30	30	128	BRUSHED STEEL	






# Handles

## Contemporary Handles

DESCRIPTION	CODE	LENGTH	DEPTH	HEIGHT	HOLE CENTRE	FINISH	PRODUCT IMAGE
DOOR PULL	7555 7556 7557 7558	55 70 103 135	8 8 8 8	40 40 40 40	32 64 96 128	BRUSHED STEEL	
SQUARE EFFECT BOW HANDLE	75314	194	28	19	160	NICKEL	
SQUARE EFFECT BOW HANDLE	75316	194	28	19	160	CHROME	
ROUND KNOB	75198	30	25	30	N/A	POLISHED CHROME	
ROUND END BAR HANDLE	75V510	180	25	18	160	BRUSHED STEEL	
BLOCK HANDLE	75V511	230	30	25	192	BRUSHED STEEL	

# Handles

## Contemporary Handles

DESCRIPTION	CODE	LENGTH	DEPTH	HEIGHT	HOLE CENTRE	FINISH	PRODUCT IMAGE
WAVE HANDLE	75V512	125	28	28	96	BRUSHED STEEL	
STRAP HANDLE	75V515	185	22	20	128	BRUSHED STEEL	
STRAP HANDLE	75V516	185	22	20	128	SATIN NICKEL	
BOW HANDLE	75V526	144	34	16	128	BRUSHED STEEL	
ARCH HANDLE	75V518	200	16	25	160	CHROME	
ARCH HANDLE	75V525	200	16	25	160	SATIN NICKEL	






# Handles

## Contemporary Handles



# Handles

## Traditional Handles

DESCRIPTION	CODE	LENGTH	DEPTH	HEIGHT	HOLE CENTRE	FINISH	PRODUCT IMAGE
SHAKER HANDLE	7585	125	20	13	96	BRASS	
SHAKER HANDLE	7587	125	20	13	96	BRUSHED STEEL	
KNOB AND BACKPLATE	75320	35	25	35	N/A	BLACK	
HANDLE AND BACKPLATE	75310	140	25	30	96	BLACK	
KNOB AND BACKPLATE	75321	35	25	35	N/A	PEWTER	
HANDLE AND BACKPLATE	75311	140	25	30	96	PEWTER	

# Handles





## Traditional Handles

DESCRIPTION	CODE	LENGTH	DEPTH	HEIGHT	HOLE CENTRE	FINISH	PRODUCT IMAGE
KNOB AND BACKPLATE	75322	35	25	35	N/A	BRASS	
HANDLE AND BACKPLATE	75312	140	25	30	96	BRASS	
KNOB AND BACKPLATE	75323	35	25	35	N/A	VANILLA	
HANDLE AND BACKPLATE	75313	140	25	35	96	VANILLA	
CAGE OVAL KNOB	75930	75	38	25	N/A	PEWTER	
CAGE ROUND KNOB	75938	42	40	42	N/A	PEWTER	



# Handles

## Traditional Handles

DESCRIPTION	CODE	LENGTH	DEPTH	HEIGHT	HOLE CENTRE	FINISH	PRODUCT IMAGE
CAGE DROP HANDLE	75932	154	45	20	128	PEWTER	
CAGE OVAL KNOB	75931	75	38	25	N/A	BLACK	
CAGE ROUND KNOB	75939	42	40	42	N/A	BLACK	
CAGE DROP HANDLE	75933	154	45	20	128	BLACK	
TWISTER KNOB	7590	56	32	18	N/A	PEWTER	
TWISTER HANDLE	7591	180	32	20	160	PEWTER	

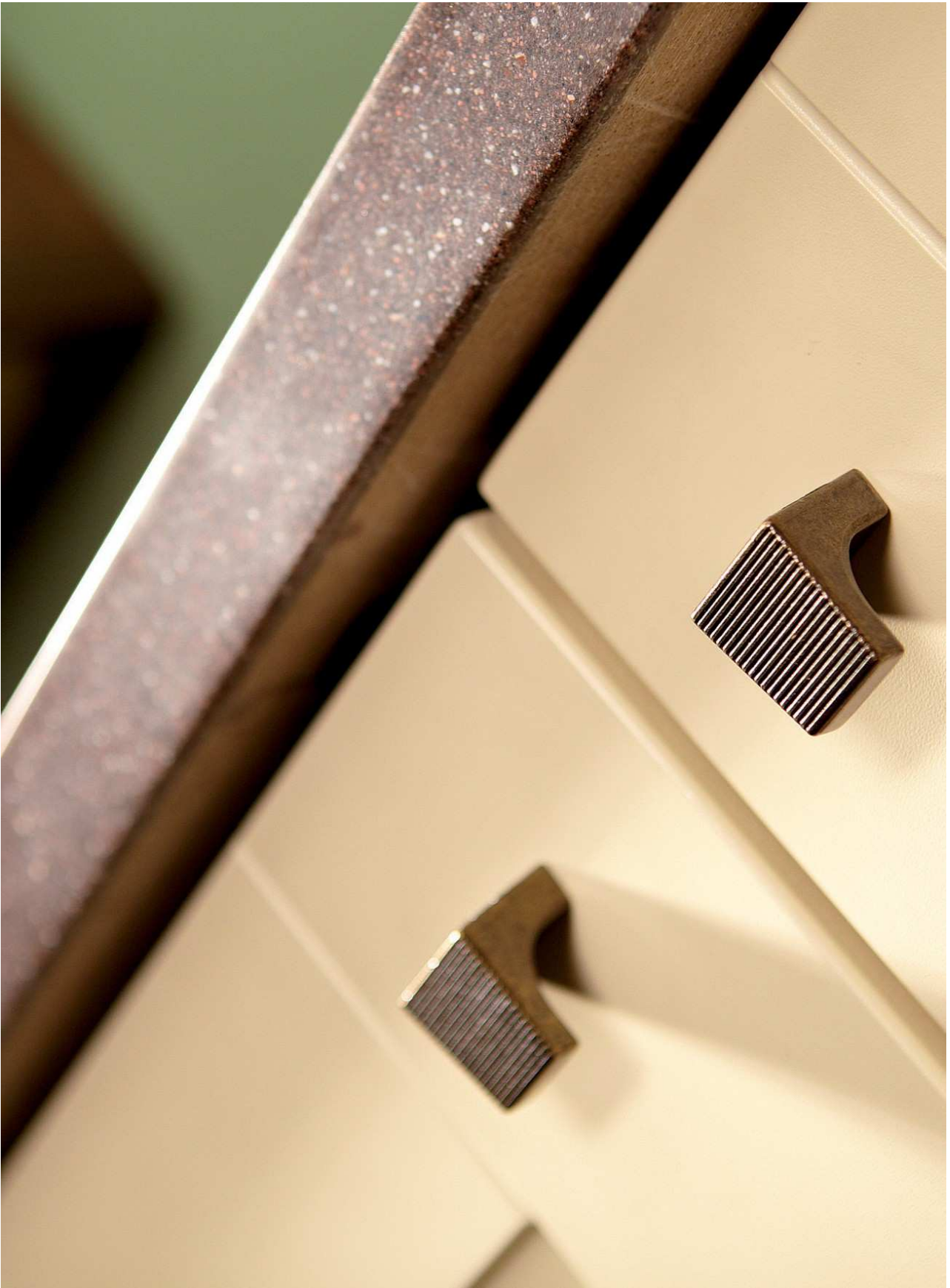
# Handles

## Traditional Handles

DESCRIPTION	CODE	LENGTH	DEPTH	HEIGHT	HOLE CENTRE	FINISH	PRODUCT IMAGE
CREAM CRACKLE DROP HANDLE	75941	180	25	60	160	ANTIQUBRASS & CERAMIC CRACKLE	
CREAM CRACKLE KNOB	75942	54	47	25	N/A	ANTIQUBRASS & CERAMIC CRACKLE	
RIBBED KNOB	75380	25	30	32	N/A	ANTIQUBRASS	
RIBBED HANDLE	75381 75382 75383	105 137 170	30 30 30	32 32 32	96 128 160	ANTIQUBRASS	
SANDED ROUND KNOB	7533	70	25	70	N/A	BEECH	
PAINTED ROUND KNOB	7534	70	25	70	N/A	PAINTED TO ANY COLOUR	

# Handles

## Traditional Handles








# Lighting

We source the brightest ideas and products

SPECIFICATION		PRODUCT CODE AND INFORMATION	IMAGE
PRODUCT	SOLANO SABOMA LED	16LED030 (1W LIGHT)	
DIMENSIONS (mm) - H x L x D	10 X 38 X 38	16LED034 (LED DRIVER)	
VOLTS	3.6V		
WATTS	1W		
LAMP	LED		
LAMP COLOUR	WHITE		
MATERIAL	ALUMINIUM		
FINISH/EFFECT	ALUMINIUM		
CABLE LENGTH	1M		
TRANSFORMER/DRIVER	DRIVER WILL SUPPORT 3 LIGHTS		
MOUNTING	SURFACE		
MISC.	DRIVER PURCHASED SEPARATELY. BULB LIFE: 50,000 HOURS IP20 RATED		
PRODUCT	SOLANO AGONIA LED	16LED031 (1W LIGHT)	
DIMENSIONS (mm) - H x L x D	26 X 50 X 50	16LED034 (LED DRIVER)	
VOLTS	3.6V		
WATTS	1W		
LAMP	LED		
LAMP COLOUR	WHITE		
MATERIAL	ALUMINIUM		
FINISH/EFFECT	BRUSHED ALUMINIUM		
CABLE LENGTH	1M		
TRANSFORMER/DRIVER	DRIVER WILL SUPPORT 3 LIGHTS		
MOUNTING	RECESSED		
MISC.	DRIVER PURCHASED SEPARATELY. BULB LIFE: 50,000 HOURS ADJUSTABLE LIGHT REQUIRES A 45MM DIAMETER CUT OUT IP23 RATED		
PRODUCT	SOLANO SOREA LED	16LED032 (1W LIGHT)	
DIMENSIONS (mm) - H x L x D	21 X 40 X 40	16LED034 (LED DRIVER)	
VOLTS	3.6V		
WATTS	1W		
LAMP	LED		
LAMP COLOUR	WHITE		
MATERIAL	ALUMINIUM		
FINISH/EFFECT	BRUSHED ALUMINIUM		
CABLE LENGTH	1M		
TRANSFORMER/DRIVER	DRIVER WILL SUPPORT 3 LIGHTS		
MOUNTING	RECESSED		
MISC.	DRIVER PURCHASED SEPARATELY. BULB LIFE: 50,000 HOURS REQUIRES A 36MM DIAMETER CUT OUT IP23 RATED		
PRODUCT	SOLANO PIRIA LED	16LED033 (1W LIGHT)	
DIMENSIONS (mm) - H x L x D	25 X 60 X 60	16LED034 (LED DRIVER)	
VOLTS	3.6V		
WATTS	1W		
LAMP	LED		
LAMP COLOUR	WHITE		
MATERIAL	ALUMINIUM		
FINISH/EFFECT	BRUSHED ALUMINIUM		
CABLE LENGTH	1M		
TRANSFORMER/DRIVER	DRIVER WILL SUPPORT 3 LIGHTS		
MOUNTING	RECESSED		
MISC.	DRIVER PURCHASED SEPARATELY. BULB LIFE: 50,000 HOURS ADJUSTABLE LIGHT REQUIRES A 48MM DIAMETER CUT OUT IP23 RATED		

All light fittings must be installed by a qualified electrician. Please check the full specification of the product before purchasing. Every effort is made to ensure the information supplied in this brochure is accurate. However it is your responsibility to ensure the products are suitable for your requirements.

SPECIFICATION		PRODUCT CODE AND INFORMATION	IMAGE
PRODUCT	SOLANO LED DRIVER	16LED034 (LED DRIVER)	
VOLTS	240V		
WATTS	1W X UP TO 3 LIGHTS		
LAMP	N/A		
LAMP COLOUR	N/A		
MATERIAL	PLASTIC		
FINISH / EFFECT	WHITE		
CABLE LENGTH	0.5M CABLE		
TRANSFORMER / DRIVER	DRIVER WILL SUPPORT 3 LIGHTS		
MOUNTING	SURFACE		
MISC.	DRIVER SUPPLIED WITH A 0.5M CABLE AND A 3 WAY DISTRIBUTOR INC. 2 LOOP PLUGS IF FEWER THAN 3 LIGHTS ARE PLUGGED INTO THE DISTRIBUTOR, THE REMAINING SLOTS NEED TO BE PLUGGED IN WITH THE SUPPLIED LOOPS TO COMPLETE THE CIRCUIT. IP65 RATED		
PRODUCT	SONEO DISK LED	16SONEO01 (3 LIGHTS & DRIVER) 16SONEO01A (SPARE DRIVER)	
DIMENSIONS (mm) - H x L x D	58 X 58 X 6		
VOLTS	12V		
WATTS	1.4W		
LAMP	LED		
LAMP COLOUR	WHITE		
MATERIAL	PLASTIC		
FINISH / EFFECT	SATIN SILVER		
CABLE LENGTH	1.5M		
TRANSFORMER / DRIVER	DRIVER WILL SUPPORT 4 LIGHTS		
MOUNTING	UNDER CABINET		
MISC.	IP20 RATED		
PRODUCT	STEINA LED DOWLIGHT	16STEINA101 (1 LIGHT & DRIVER KIT) 16STEINA102 (2 LIGHT & DRIVER KIT) 16STEINA103 (3 LIGHT & DRIVER KIT) 16STEINA003 (STEEL SPACER)	
DIMENSIONS (mm) - H x L x D	15mm x 70mm x 70mm		
VOLTS	12V		
WATTS	2W		
LAMP	LED		
LAMP COLOUR	COOL WHITE LIGHT		
MATERIAL	STEEL		
FINISH / EFFECT	BRUSHED		
CABLE LENGTH	1.5M & 0.5M DRIVER CABLE		
TRANSFORMER / DRIVER	6W LED DRIVER (MAX. 3 LIGHTS)		
MOUNTING	RECESSED		
MISC.			
PRODUCT	STEINA LED KEA	16STEINA201 (1 LIGHT & DRIVER KIT) 16STEINA202 (2 LIGHT & DRIVER KIT) 16STEINA203 (3 LIGHT & DRIVER KIT)	
DIMENSIONS (mm) - H x L x D	40mm x 128mm x 128mm		
VOLTS	12V		
WATTS	2W		
LAMP	LED		
LAMP COLOUR	COOL WHITE LIGHT		
MATERIAL	STEEL		
FINISH / EFFECT	BRUSHED		
CABLE LENGTH	1.5M & 0.5M DRIVER CABLE		
TRANSFORMER / DRIVER	6W LED DRIVER (MAX. 3 LIGHTS)		
MOUNTING	UNDER CABINET		
MISC.			
PRODUCT	SOLDAN FLEXIBLE STRIP LIGHT	16SOLDAN001 - 1M STRIP LIGHT (4.8W) 16SOLDAN002 - 2M STRIP LIGHT (9.6W) 16SOLDAN003 - 3M STRIP LIGHT (14.4W) 16SOLDAN010 (15W LED DRIVER)	
DIMENSIONS	1000 / 2000 / 3000mm x 9mm x 4mm		
VOLTS	12V		
WATTS	4.8W to 14.4W DEPENDANT ON LIGHT		
LAMP	LED		
LAMP COLOUR	COOL WHITE		
MATERIAL	PLASTIC / SILICONE		
FINISH / EFFECT	WHITE / CLEAR		
CABLE LENGTH	2.5M		
TRANSFORMER / DRIVER	15W LED DRIVER (MAX TOTAL 3M LENGTH)		
MOUNTING	SELF ADHESIVE STRIP LIGHT		
MISC.	THE SOLDAN STRIP LIGHTS ARE SELF ADHESIVE. THESE STRIP LIGHTS CAN BE CUT DOWN BUT THEY CANNOT BE LINKED TO EACH OTHER; TO ACHIEVE THIS LOOK SIMPLY STICK ONE LIGHT NEXT TO THE OTHER. EACH SOLDAN STRIP LIGHT CONNECTS TO A DRIVER AND THE DRIVER WILL ACCEPT A MAXIMUM TOTAL 3M LENGTH OF LIGHT. EACH SOLDAN LIGHT COMES WITH A 2.5M LEAD. PLEASE ENSURE THAT THE SURFACE WHICH YOU STICK THE LIGHT ON IS CLEAN, DRY AND FREE FROM ANY CONTAMINANTS.	THE LENGTH OF TAPE CAN BE DECREASED BY 50MM INCREMENTS (3 LED'S) BY CUTTING BETWEEN THE TWO ROWS OF SOLDER POINTS AS SHOWN.	
			

SPECIFICATION		PRODUCT CODE AND INFORMATION	IMAGE
PRODUCT	PICKA PLINTH SQUARE LED WHITE	16PICKA002 (SET OF 4 WHITE LIGHTS & 1 DRIVER)	
DIMENSIONS (mm) - H x L x D	38 X 38 X 10		
VOLTS	12V		
WATTS	0.4W		
LAMP	LED		
LAMP COLOUR	WHITE		
MATERIAL	PLASTIC		
FINISH / EFFECT	SILVER GREY		
CABLE LENGTH	1.5M CABLE X 4 & 1M DRIVER CABLE		
TRANSFORMER / DRIVER	INTEGRATED DRIVER SUPPORTS 4 LIGHTS		
MOUNTING	PLINTH		
MISC.	REQUIRES A 10MM DIAMETER CUT OUT IP20 RATED		
PRODUCT	PICKA PLINTH SQUARE LED BLUE	16PICKA001 (SET OF 4 BLUE LIGHTS & 1 DRIVER)	
DIMENSIONS (mm) - H x L x D	38 X 38 X 10		
VOLTS	12V		
WATTS	0.5W		
LAMP	LED		
LAMP COLOUR	BLUE		
MATERIAL	PLASTIC		
FINISH / EFFECT	SILVER GREY		
CABLE LENGTH	1.5M CABLE X 4 & 1M DRIVER CABLE		
TRANSFORMER / DRIVER	INTEGRATED DRIVER SUPPORTS 4 LIGHTS		
MOUNTING	PLINTH		
MISC.	REQUIRES A 10MM DIAMETER CUT OUT IP20 RATED		
PRODUCT	PICKA PLINTH ROUND LED WHITE	16PICKA004 (SET OF 4 WHITE LIGHTS & 1 DRIVER)	
DIMENSIONS (mm) - H x L x D	30 X 30 X 23		
VOLTS	12V		
WATTS	0.2W		
LAMP	LED		
LAMP COLOUR	WHITE		
MATERIAL	PLASTIC		
FINISH / EFFECT	CHROME		
CABLE LENGTH	1.5M CABLE X 4 & 1M DRIVER CABLE		
TRANSFORMER / DRIVER	INTEGRATED DRIVER SUPPORTS 4 LIGHTS		
MOUNTING	PLINTH		
FITTINGS	N/A		
MISC.	REQUIRES A 24MM DIAMETER CUT OUT IP20 RATED		
PRODUCT	PICKA PLINTH ROUND LED BLUE	16PICKA003 (SET OF 4 BLUE LIGHTS & 1 DRIVER)	
DIMENSIONS (mm) - H x L x D	35 X 35 X 25		
VOLTS	12V		
WATTS	0.25W		
LAMP	LED		
LAMP COLOUR	BLUE		
MATERIAL	PLASTIC		
FINISH / EFFECT	STEEL		
CABLE LENGTH	1.5M CABLE X 4 & 1M DRIVER CABLE		
TRANSFORMER / DRIVER	INTEGRATED DRIVER SUPPORTS 4 LIGHTS		
MOUNTING	PLINTH		
FITTINGS	N/A		
MISC.	REQUIRES A 25MM DIAMETER CUT OUT IP20 RATED		
PRODUCT	STRATA PLINTH LED	16STRATA01 (SET OF 4 X LIGHTS & 1 DRIVER)	
DIMENSIONS (mm) - H x L x D	9 X 310 X 6		
VOLTS	12V		
WATTS	0.8W		
LAMP	LED		
LAMP COLOUR	WHITE / BLUE		
MATERIAL	PLASTIC		
FINISH / EFFECT	WHITE		
CABLE LENGTH	2M		
TRANSFORMER / DRIVER	DRIVER WILL SUPPORT 4 LIGHTS		
MOUNTING	UNDER CABINET		
FITTINGS	FIXING CLIPS, END CAPS & CONNECTING LEAD		
MISC.	LIGHTS LINK INTO EACH OTHER IP20 RATED		

All light fittings must be installed by a qualified electrician. Please check the full specification of the product before purchasing. Every effort is made to ensure the information supplied in this brochure is accurate. However it is your responsibility to ensure the products are suitable for your requirements.



# Lighting

## Triphosphor & Strip Lights

SPECIFICATION		PRODUCT CODE AND INFORMATION	IMAGE
PRODUCT	CORVUS	16CORVUS45 (DIMENSION (mm): 50 X 450 X 205)	
VOLTS	240V		
WATTS	8W / 13W / 21W DEPENDANT ON LIGHT	16CORVUS60 (DIMENSION (mm): 50 X 600 X 205)	
LAMP	TRIPHOSPHOR T5	16CORVUS90 (DIMENSION (mm): 50 X 900 X 205)	
LAMP COLOUR	WHITE		
MATERIAL	ALUMINIUM / GLASS		
FINISH / EFFECT	ALUMINIUM / GLASS		
CABLE LENGTH	N/A		
TRANSFORMER / DRIVER	NOT REQUIRED		
MOUNTING	WALL		
FITTINGS	WALL MOUNT AND SCREWS		
MISC.	INCORPORATED SWITCH. SPARE BULB AVAILABLE TO PURCHASE SEPARATELY IP20 RATED		
PRODUCT	BUDGET STRIP LIGHT	16STRIP05 (1 LIGHT)	
DIMENSIONS (mm) - H x L x D	43 X 283 X 22		
VOLTS	240V	16STRIP05B (SPARE BULB)	
WATTS	6W		
LAMP	TRIPHOSPHOR		
LAMP COLOUR	WHITE		
MATERIAL	PLASTIC		
FINISH / EFFECT	WHITE PLASTIC		
CABLE LENGTH	1.5M		
TRANSFORMER / DRIVER	NOT REQUIRED		
MOUNTING	UNDER CABINET		
FITTINGS	MOUNTING SCREWS		
MISC.			
PRODUCT	TRIPHOSPHOR LIGHTS	16TRI275 (6W LIGHT) / (DIM (mm): 18 X 270 X 43)	
VOLTS	240V	16TRI370 (8W LIGHT) / (DIM (mm): 18 X 390 X 43)	
WATTS	6W to 30W DEPENDANT ON LIGHT	16TRI400 (12W LIGHT) / (DIM (mm): 18 X 420 X 43)	
LAMP	TRIPHOSPHOR	16TRI495 (16W LIGHT) / (DIM (mm): 18 X 520 X 43)	
LAMP COLOUR	WHITE	16TRI600 (20W LIGHT) / (DIM (mm): 18 X 620 X 43)	
MATERIAL	ALUMINIUM / PLASTIC	16TRI815 (30W LIGHT) / (DIM (mm): 18 X 815 X 43)	
FINISH / EFFECT	WHITE	16TRIB275 (BULB FOR 16TRI275)	
CABLE LENGTH	1.8M	16TRIB370 (BULB FOR 16TRI370)	
TRANSFORMER / DRIVER	N/A	16TRIB400 (BULB FOR 16TRI400)	
MOUNTING	UNDER CABINET	16TRIB495 (BULB FOR 16TRI495)	
FITTINGS	CABLES & MOUNTING CLIPS	16TRIB600 (BULB FOR 16TRI600)	
MISC.	INCLUDES 200mm LINK LEAD AND CONNECTORS 1M CONNECTING LEADS AVAILABLE SEPARATELY LOWER OPERATING TEMP FLAT START DUE TO ELECTRONIC BALLAST IP20 RATED	16TRIB815 (BULB FOR 16TRI815)	
PRODUCT	CONCEALED LIGHTS	16CON240 (6W LIGHT) / (DIM (mm): 36 X 240 X 75)	
VOLTS	240V	16CON320 (8W LIGHT) / (DIM (mm): 36 X 320 X 75)	
WATTS	6W to 30W DEPENDANT ON LIGHT	16CON470 (15W LIGHT) / (DIM (mm): 36 X 470 X 75)	
LAMP	CONCEALED LIGHT	16CON550 (13W LIGHT) / (DIM (mm): 36 X 550 X 75)	
LAMP COLOUR	WHITE	16CON750 (16W LIGHT) / (DIM (mm): 36 X 750 X 75)	
MATERIAL	STEEL / GLASS / PLASTIC	16CON930 (30W LIGHT) / (DIM (mm): 36 X 930 X 75)	
FINISH / EFFECT	WHITE	16CON240B (BULB FOR 16CON240)	
CABLE LENGTH	2M	16CON320B (BULB FOR 16CON320)	
TRANSFORMER / DRIVER	N/A	16CON470B (BULB FOR 16CON470)	
MOUNTING	UNDER CABINET	16CON550B (BULB FOR 16CON550)	
FITTINGS	MOUNTING SCREWS	16CON750B (BULB FOR 16CON750)	
MISC.	IP20 RATED	16CON930B (BULB FOR 16CON930) 16CON001 (MALE BLANKING CAPS) 16CON003 (FEMALE BLANKING CAPS) 16CON002 (MALE CONNECTORS) 16CON004 (FEMALE CONNECTORS)	

All light fittings must be installed by a qualified electrician. Please check the full specification of the product before purchasing. Every effort is made to ensure the information supplied in this brochure is accurate. However it is your responsibility to ensure the products are suitable for your requirements.

# Lighting Halogen & Compact Fluorescent Lights

SPECIFICATION		PRODUCT CODE AND INFORMATION	IMAGE
PRODUCT	KEA HALOGEN	16KEA00 (SINGLE LIGHT, NO TRANSFORMER)	
DIMENSIONS (mm) - H x L x D	45 X 150 X 150	16KEA01 (1 LIGHT KIT & 60W TRANSFORMER)	
VOLTS	12V	16KEA02 (2 LIGHT KIT & 60W TRANSFORMER)	
WATTS	20W	16KEA03 (3 LIGHT KIT & 60W TRANSFORMER)	
LAMP	HALOGEN	16KEA05 (5 LIGHT KIT & 105W TRANSFORMER)	
LAMP COLOUR	WHITE	16TECH005 (SPARE BULB)	
MATERIAL	STEEL / GLASS	16TECH004 (60W TRANSFORMER)	
FINISH / EFFECT	SATIN STEEL	16TECH004A (105W TRANSFORMER)	
CABLE LENGTH	1.5M		
TRANSFORMER / DRIVER	60W / 105W TRANSFORMER		
MOUNTING	UNDER CABINET		
MISC.			
PRODUCT	DOWNLIGHT HALOGEN	16DOWN01 (1 LIGHT KIT & 60W TRANSFORMER)	 
DIMENSIONS (mm) - H x L x D	20 X 65 X 65	16DOWN02 (2 LIGHT KIT & 60W TRANSFORMER)	
VOLTS	12V	16DOWN03 (3 LIGHT KIT & 60W TRANSFORMER)	
WATTS	20W	16DOWN05 (5 LIGHT KIT & 105W TRANSFORMER)	
LAMP	HALOGEN	16TECH005 (SPARE BULB)	
LAMP COLOUR	WHITE	16TECH002 (20W LIGHT, CHROME)	
MATERIAL	STEEL / GLASS	16TECH015 (20W LIGHT, STEEL)	
FINISH / EFFECT	STEEL / CHROME	16TECH004 (60W TRANSFORMER)	
CABLE LENGTH	1.5M	16TECH004A (105W TRANSFORMER)	
MOUNTING	RECESSED OR SURFACE	16TECH027 (STAINLESS STEEL SPACER)	
MISC.	DOWNLIGHT SPACER AVAILABLE TO PURCHASE SEPARATELY REQUIRES A 52MM DIAMETER CUT OUT PLEASE SPECIFY 'CHROME' OR 'STEEL' FINISH WHEN PLACING YOUR ORDER		
PRODUCT	FORTUNA RECESSED	16FORTUNA000 (ONE LIGHT, GREY)	
DIMENSIONS (mm) - H x L x D	25 x 85 x 85	16FORTUNA100 (ONE LIGHT, WHITE)	
VOLTS	240V	16FORTUNA500 (SPARE BULB)	
WATTS	7W		
LAMP	COMPACT FLOURESCENT		
LAMP COLOUR	COOL WHITE LIGHT		
MATERIAL	PLASTIC		
FINISH / EFFECT	WHITE / GREY		
CABLE LENGTH	2M		
TRANSFORMER / DRIVER	N/A		
MOUNTING	RECESSED		
MISC.	MAINS VOLTAGE		
PRODUCT	FORTUNA SURFACE	16FORTUNA200 (ONE LIGHT, GREY)	 
DIMENSIONS (mm) - H x L x D	25 x 82 x 82	16FORTUNA300 (ONE LIGHT, WHITE)	
VOLTS	240V	16FORTUNA500 (SPARE BULB)	
WATTS	7W		
LAMP	COMPACT FLOURESCENT		
LAMP COLOUR	COOL WHITE LIGHT		
MATERIAL	PLASTIC		
FINISH / EFFECT	WHITE / GREY		
CABLE LENGTH	2M		
TRANSFORMER / DRIVER	N/A		
MOUNTING	SURFACE		
MISC.	MAINS VOLTAGE		
PRODUCT	FORTUNA STEEL	16FORTUNA600 ONE LIGHT, STEEL	
DIMENSIONS (mm) - H x L x D	52 X 190 X 195	16FORTUNA500 SPARE BULB	
VOLTS	240V		
WATTS	7W		
LAMP	COMPACT FLOURESCENT		
LAMP COLOUR	COOL WHITE LIGHT		
MATERIAL	STEEL		
FINISH / EFFECT	STAINLESS STEEL		
CABLE LENGTH	2M		
TRANSFORMER / DRIVER	N/A		
MOUNTING	UNDER CABINET		
MISC.	MAINS VOLTAGE		

All light fittings must be installed by a qualified electrician. Please check the full specification of the product before purchasing. Every effort is made to ensure the information supplied in this brochure is accurate. However it is your responsibility to ensure the products are suitable for your requirements.

# Drawer Systems & Storage Solutions

We offer a huge range of combinations allowing you to personalise and maximise the internal space of the kitchen

# Drawers

## T3 Drawers

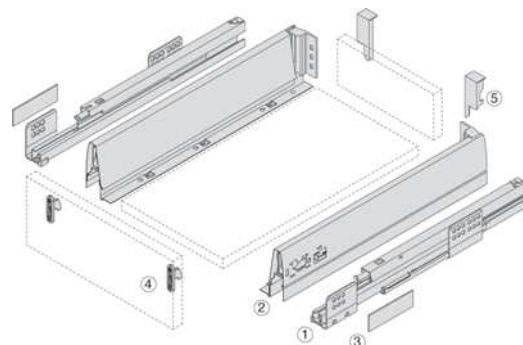
### T3 Standard Drawer - S



CODE	PRODUCT
10T38645G	86 X 450MM GREY DRAWER
10T38645W	86 X 450MM WHITE DRAWER
10T38627G	86 X 270MM GREY DRAWER
10T38627W	86 X 270MM WHITE DRAWER

#### Features:

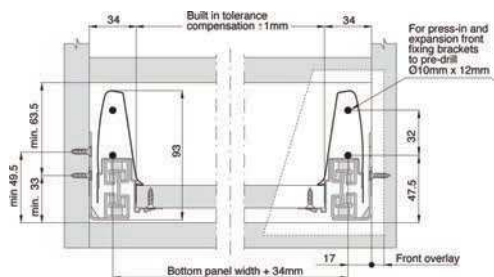
- ✘ Roller bearing concealed runners
- ✘ Full extension with synchro control
- ✘ Steel drawer side 83mm
- ✘ Load capacity of 35kg
- ✘ Quick assembly
- ✘ Flexible 2-dimensional front adjustment
- ✘ Silent integrated cushioning system
- ✘ Integrated lateral stabiliser



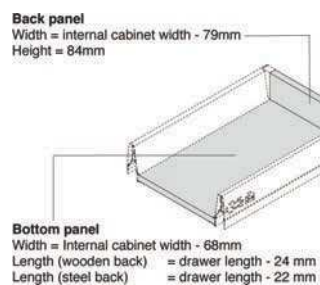
#### Pack Contents

	Cabinet profile left / right: Galvanised
	Drawer Side left / right:
	Cover cap
	Front fixing bracket left / right: Screw on 2x
	Rear fixing bracket left / right

#### Space Requirements and Front Installation Dimensions



#### Cutting Dimensions for 16mm Chipboard



# Drawers

## T3 Drawers

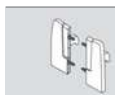
### T3 Inner Drawer (86mm drawer)



#### Information



Front fascia (single - cut down to suit)



Front fixing bracket (1 pair)

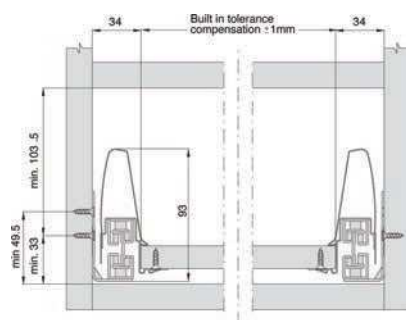
CODE	PRODUCT
11T3020W	86MM HIGH-WHITE FRONT FIXING BRACKET (PAIR)
11T3025W	635MM WHITE FRONT FASCIA*
11T3028W	1085MM WHITE FRONT FASCIA**
11T3020G	86MM HIGH GREY FRONT FIXING BRACKET (PAIR)
11T3025G	635MM GREY FRONT FASCIA*
11T3028G	1085MM GREY FRONT FASCIA**

Note: Cutting dimensions for front fascia = Internal cabinet width - 82mm

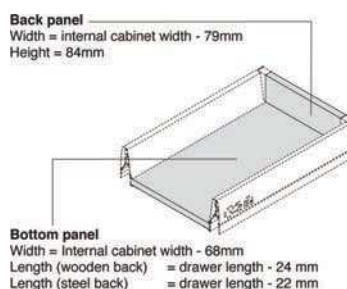
\* Suitable up to 600mm cabinet (based on 18mm cab)

\*\* Suitable up to 1200mm cabinet (based on 18mm cab)

#### Space Requirements and Front Installation Dimensions



#### Cutting Dimensions for 16mm Chipboard



### T3 Inner Drawer (200mm drawer)



- \* Suitable up to 600mm cabinet (based on 18mm cab)
- \*\* Suitable up to 1200mm cabinet (based on 18mm cab)
- \*\*\* Suitable up to 1200mm drawer (based on 18mm cab)

Note:

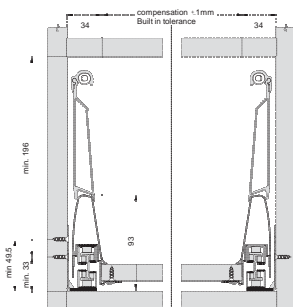
Cutting dimensions for front fascia = Internal cabinet width - 82mm

Cutting dimensions for Cross Railing = Internal cabinet width - 62mm

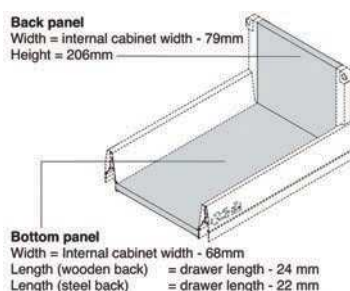
CODE	PRODUCT
11T3021W	200MM HIGH-WHITE FRONT FIXING BRACKET (PAIR)
11T3029W	1105MM White Cross Railing***
11T3025W	635MM WHITE FRONT FASCIA*
11T3028W	1085MM WHITE FRONT FASCIA**
11T3021G	200MM HIGH GREY FRONT FIXING BRACKET (PAIR)
11T3029G	1105MM Grey Cross Railing***
11T3025G	635MM GREY FRONT FASCIA*
11T3028G	1085MM GREY FRONT FASCIA**

Please note: Side Panels & Conversion Kits are available to be purchased separately.

#### Space Requirements and Front Installation Dimensions



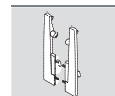
#### Cutting Dimensions for 16mm Chipboard



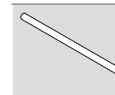
#### Information



Front fascia (single - cut down to suit)



Front fixing bracket (1 pair)



Cross Railing (single - cut down to suit)

### T3 Conversion Kit - 150mm Railing Conversion Kit (for 150mm high drawer)



#### Pack Contents



Railing Set left / right - screw on (1 pair)



Rear Fixing Bracket - left / right (1 pair)

#### CODE

#### PRODUCT

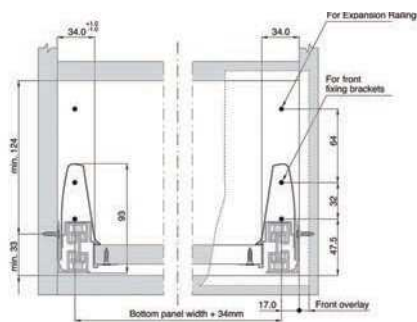
11T3CONV150G

150MM RAILING CONVERSION KIT - GREY

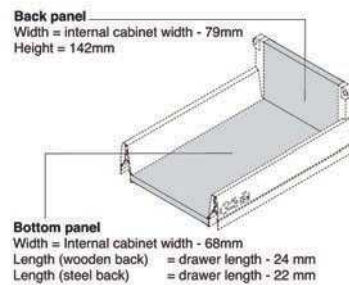
11T3CONV150W

150MM RAILING CONVERSION KIT - WHITE

#### Space Requirements and Front Installation Dimensions



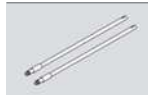
#### Cutting Dimensions for 16mm Chipboard



### T3 Conversion Kit - 200mm Railing Conversion Kit (for 200mm high drawer)



#### Pack Contents



Railing Set left / right - screw on (1 pair)



Rear Fixing Bracket - left / right (1 pair)

#### CODE

#### PRODUCT

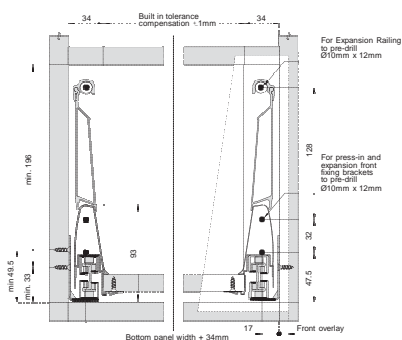
11T3CONV200G

200MM RAILING CONVERSION KIT - GREY

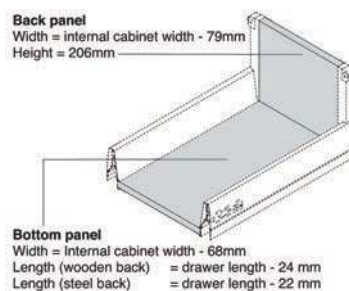
11T3CONV200W

200MM RAILING CONVERSION KIT - WHITE

#### Space Requirements and Front Installation Dimensions



#### Cutting Dimensions for 16mm Chipboard



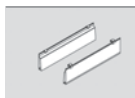
# Drawers

## T3 Drawer Packs

### T3 Side Panels - optional side panels for use with 200mm Railing Conversion Kit



#### Pack Contents



Side Extend - left / right  
(1 pair)

CODE	PRODUCT
11T3080	200MM SIDE PANELS - ABS PLASTIC SMOKE GREY

### T3 Metal Drawer Backs - metal back panels for shallow and deep drawers

CODE	PRODUCT	CODE	PRODUCT	CODE	PRODUCT
GREY		11T3922	DEEP 600mm GREY BACKT3	11T3935	SHALLOW 800mm WHITE BACK T3
11T3050	T3 GREY SIDE RAILS 450mm	11T3923	DEEP 800mm GREY BACKT3	11T3936	SHALLOW 900mm WHITE BACK T3
11T3901	SHALLOW 300mm GREY BACK T3	11T3924	DEEP 900mm GREY BACKT3	11T3937	SHALLOW 1000mm WHITE BACK T3
11T3902	SHALLOW 400mm GREY BACK T3	11T3925	DEEP 1000mm GREY BACKT3	11T3941	DEEP 500mm WHITE BACKT3
11T3903	SHALLOW 500mm GREY BACK T3	WHITE		11T3942	DEEP 600mm WHITE BACKT3
11T3904	SHALLOW 600mm GREY BACK T3	11T3060	T3 WHITE SIDE RAILS 450mm	11T3943	DEEP 800mm WHITE BACKT3
11T3905	SHALLOW 800mm GREY BACK T3	11T3931	SHALLOW 300mm WHITE BACK T3	11T3944	DEEP 900mm WHITE BACKT3
11T3906	SHALLOW 900mm GREY BACK T3	11T3932	SHALLOW 400mm WHITE BACK T3	11T3945	DEEP 1000mm WHITE BACKT3
11T3907	SHALLOW 1000mm GREY BACK T3	11T3933	SHALLOW 500mm WHITE BACK T3		
11T3921	DEEP 500mm GREY BACKT3	11T3934	SHALLOW 600mm WHITE BACK T3		

## IMPORTANT

Please ensure that the runner and soft close unit is kept clean and free from dust. When installing worktops, please cover runners to avoid particles entering the mechanism.



### T3 Ready To Assemble Drawer Packs (450mm Deep)



#### Pack Contents

1. Chipboard base and metal back
2. T3 drawer sides and runners and all fittings
3. Railing Set left / right (1 pair) - (DEEP BOXED DRAWERS ONLY)

#### Specification

- ✘ Available in grey or white
- ✘ Available shallow (86mm) or deep (150mm)
- ✘ Drawers are 450mm front to back
- ✘ Load 35kg

CODE	PRODUCT	CODE	PRODUCT
11BT38630G	GREY SHALLOW T3 BOXED DRAWER FOR 300MM CABINET	11BT38630W	WHITE SHALLOW T3 BOXED DRAWER FOR 300MM CABINET
11BT38640G	GREY SHALLOW T3 BOXED DRAWER FOR 400MM CABINET	11BT38640W	WHITE SHALLOW T3 BOXED DRAWER FOR 400MM CABINET
11BT38650G	GREY SHALLOW T3 BOXED DRAWER FOR 500MM CABINET	11BT38650W	WHITE SHALLOW T3 BOXED DRAWER FOR 500MM CABINET
11BT38660G	GREY SHALLOW T3 BOXED DRAWER FOR 600MM CABINET	11BT38660W	WHITE SHALLOW T3 BOXED DRAWER FOR 600MM CABINET
11BT38680G	GREY SHALLOW T3 BOXED DRAWER FOR 800MM CABINET	11BT38680W	WHITE SHALLOW T3 BOXED DRAWER FOR 800MM CABINET
11BT38690G	GREY SHALLOW T3 BOXED DRAWER FOR 900MM CABINET	11BT38690W	WHITE SHALLOW T3 BOXED DRAWER FOR 900MM CABINET
11BT38610G	GREY SHALLOW T3 BOXED DRAWER FOR 1000MM CABINET	11BT38610W	WHITE SHALLOW T3 BOXED DRAWER FOR 1000MM CABINET
11BT31550G	GREY DEEP T3 BOXED DRAWER FOR 500MM CABINET	11BT31550W	WHITE DEEP T3 BOXED DRAWER FOR 500MM CABINET
11BT31560G	GREY DEEP T3 BOXED DRAWER FOR 600MM CABINET	11BT31560W	WHITE DEEP T3 BOXED DRAWER FOR 600MM CABINET
11BT31580G	GREY DEEP T3 BOXED DRAWER FOR 800MM CABINET	11BT31580W	WHITE DEEP T3 BOXED DRAWER FOR 800MM CABINET
11BT31590G	GREY DEEP T3 BOXED DRAWER FOR 900MM CABINET	11BT31590W	WHITE DEEP T3 BOXED DRAWER FOR 900MM CABINET
11BT31510G	GREY DEEP T3 BOXED DRAWER FOR 1000MM CABINET	11BT31510W	WHITE DEEP T3 BOXED DRAWER FOR 1000MM CABINET

### T3 Ready To Assemble DRESSER Drawer Packs (270mm Deep)



#### Pack Contents

1. Chipboard base and metal back
2. T3 drawer sides and runners and all fittings

#### Specification

- ✘ Available in grey or white
- ✘ Available shallow (86mm)
- ✘ Drawers are 270mm front to back
- ✘ Load 35kg

CODE	PRODUCT
11BT3DRESS50G	GREY T3 BOXED DRAWER FOR 500MM CABINET
11BT3DRESS50W	WHITE T3 BOXED DRAWER FOR 500MM CABINET
11BT3DRESS60G	GREY T3 BOXED DRAWER FOR 600MM CABINET
11BT3DRESS60W	WHITE T3 BOXED DRAWER FOR 600MM CABINET

# Drawers

## T3 Drawer Packs

**BLANK PAGE**

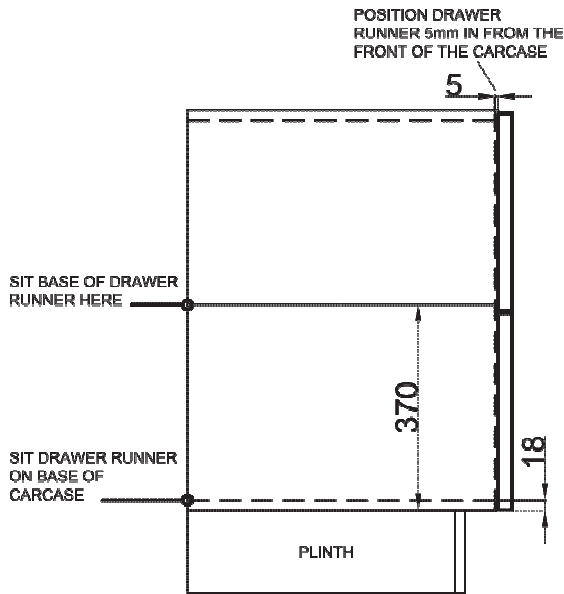


# Drawers

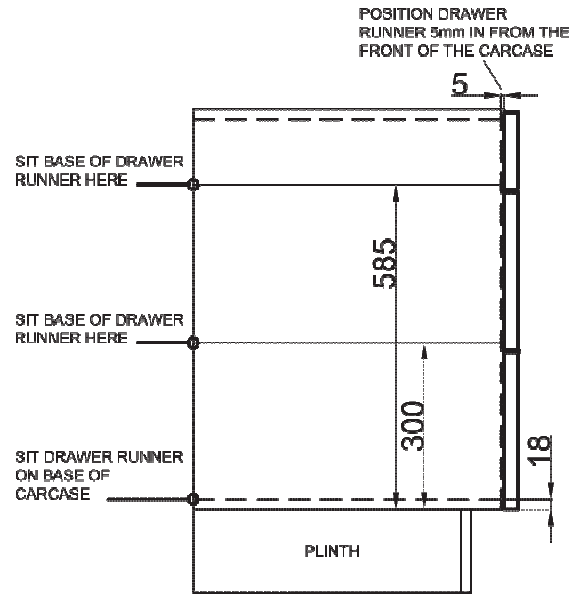
## T3 Drawer Details

### T3 Drawer Runner Height Fixing Positions

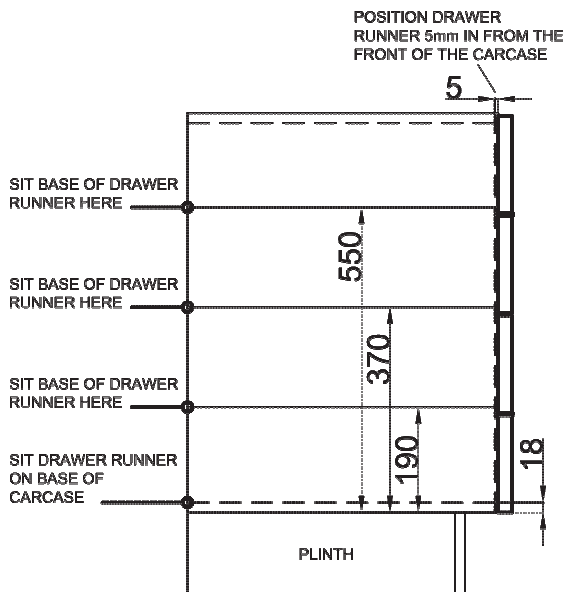
PLEASE NOTE: All the dimensions are based on a 18mm thick carcass and a carcass height of 720mm



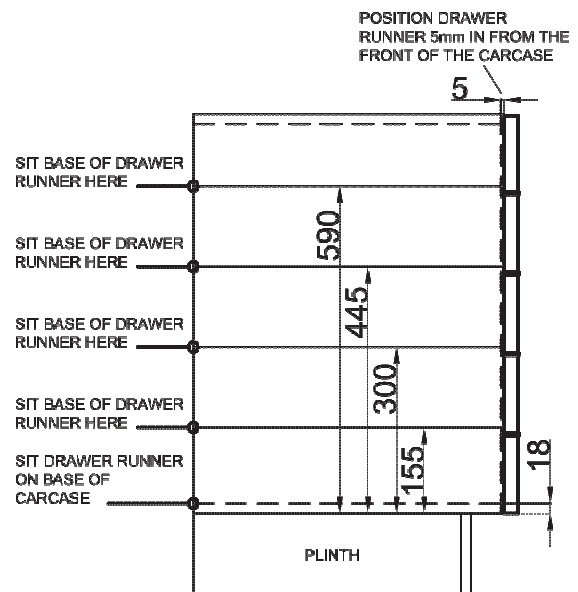
2 DRAWER CONFIGURATION  
2 X 355mm Drawer fronts



3 DRAWER CONFIGURATION  
1 X 140mm & 2 x 283mm  
Drawer fronts



4 DRAWER CONFIGURATION  
2 X 175mm Drawer fronts



5 DRAWER CONFIGURATION  
5 X 140mm Drawer fronts

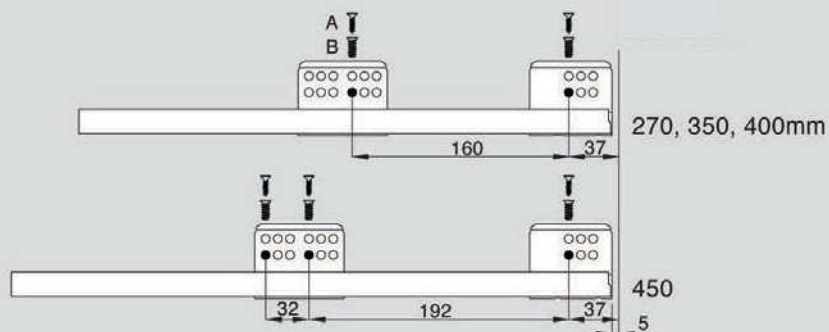
# Drawers

## T3 Drawer Details

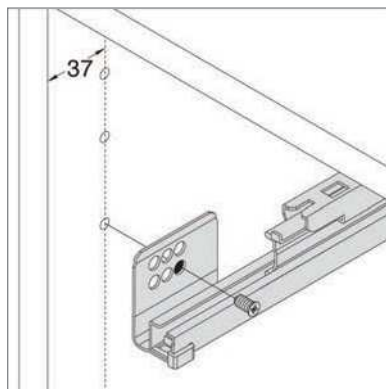
### T3 Cabinet Profile Fixing Positions

Fixing onto cabinet

A Chipboard Screws  
04 x 15

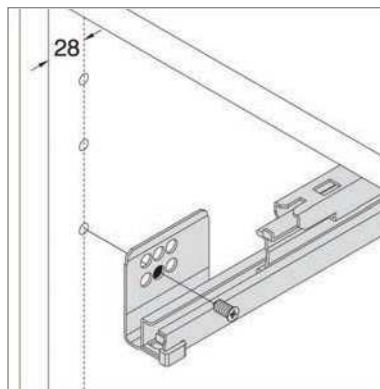


Front fixing hole at 37mm from edge  
Standard Drawer



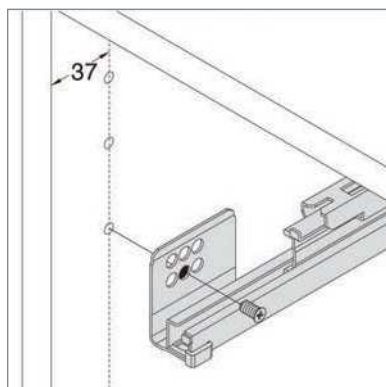
The 3rd hole on the cabinet profile should be used to affix the profile to the cabinet

Front fixing hole at 28mm from edge  
Standard Drawer



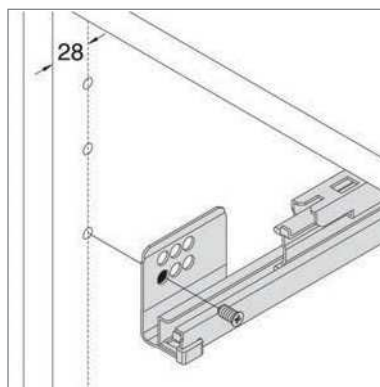
The 2nd hole on the cabinet profile should be used to affix the profile to the cabinet

Front fixing hole at 37mm from edge  
Inner Drawer



The 2nd hole on the cabinet profile should be used to affix the profile to the cabinet

Front fixing hole at 28mm from edge  
Inner Drawer

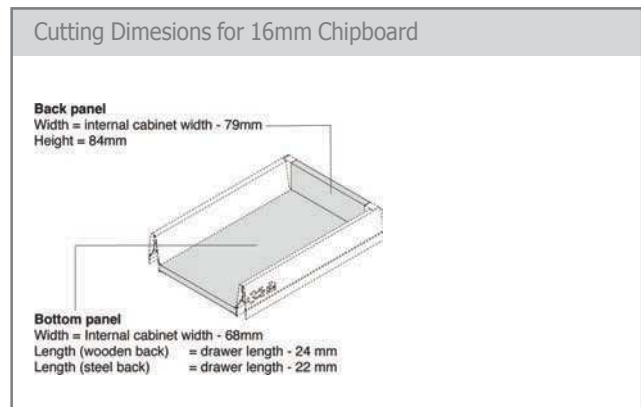


The 1st hole on the cabinet profile should be used to affix the profile to the cabinet

# Drawers

## T3 Drawer Details

### T3 Drawer Base Cutting Dimensions



Cutting dimensions based on:  
-450mm deep drawers  
-18mm thick carcase used

<p><b>300 DRAWER</b></p> <p>WIDTH 196mm</p> <p>LENGTH 426mm (wooden back)</p>	<p><b>350 DRAWER</b></p> <p>WIDTH 246mm</p> <p>LENGTH 426mm (wooden back)</p>	<p><b>400 DRAWER</b></p> <p>WIDTH 296mm</p> <p>LENGTH 426mm (wooden back)</p>	<p><b>450 DRAWER</b></p> <p>WIDTH 346mm</p> <p>LENGTH 426mm (wooden back)</p>	<p><b>500 DRAWER</b></p> <p>WIDTH 396mm</p> <p>LENGTH 426mm (wooden back)</p>
<p><b>550 DRAWER</b></p> <p>WIDTH 446mm</p> <p>LENGTH 426mm (wooden back)</p>	<p><b>600 DRAWER</b></p> <p>WIDTH 496mm</p> <p>LENGTH 426mm (wooden back)</p>	<p><b>800 DRAWER</b></p> <p>WIDTH 696mm</p> <p>LENGTH 426mm (wooden back)</p>		
<p><b>900 DRAWER</b></p> <p>WIDTH 796mm</p> <p>LENGTH 426mm (wooden back)</p>	<p><b>1000 DRAWER</b></p> <p>WIDTH 896mm</p> <p>LENGTH 426mm (wooden back)</p>			



# Drawers

## T3 Drawer Details

### T3 Drawer Back Cutting Dimensions

Drawer Back Cutting HEIGHTS are given below:

- Standard 86mm Drawer Sides = 84mm Back Height
- 86mm Internal Drawer = 84mm Back Height
- 150mm Railing Conversion Kit = 142mm Back Height
- 200mm Railing Conversion Kit = 206mm Back Height

Drawer Back Cutting WIDTH based on:

-18mm thick carcase used

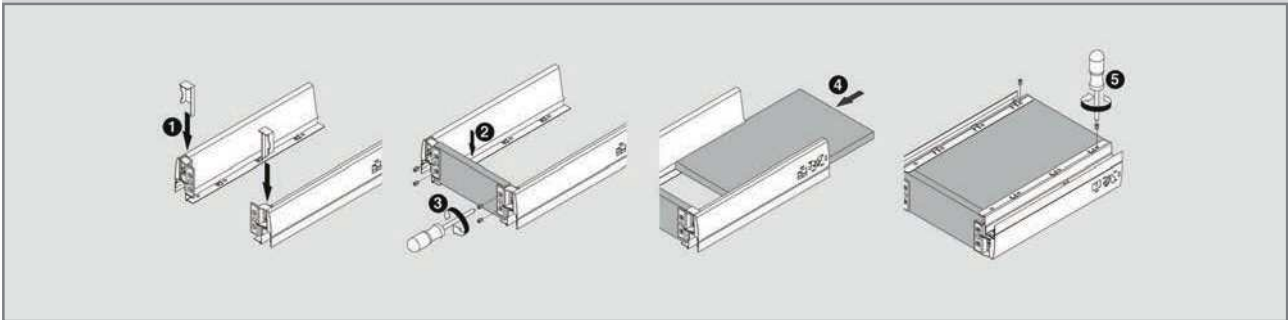
300 DRAWER 185mm	350 DRAWER 235mm	400 DRAWER 285mm	450 DRAWER 335mm	500 DRAWER 385mm
550 DRAWER 435mm	600 DRAWER 485mm	800 DRAWER 685mm		
900 DRAWER 785mm	1000 DRAWER 885mm			

### IMPORTANT

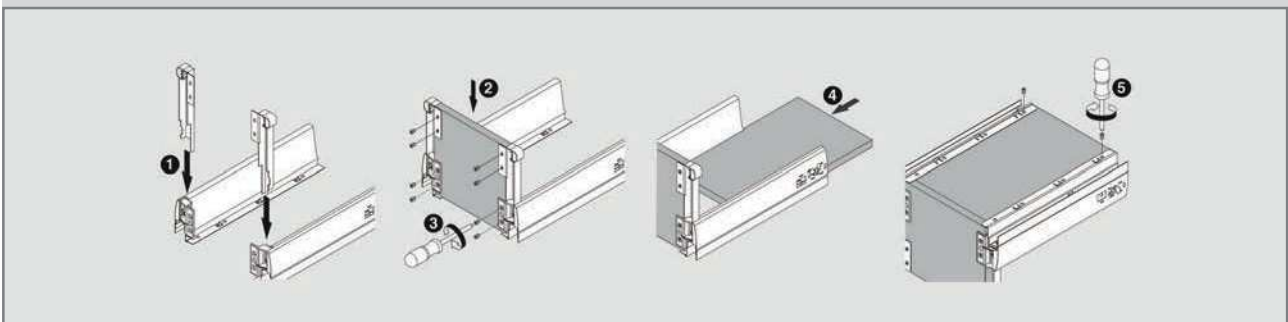
Please ensure that the runner and soft close unit is kept clean and free from dust. When installing worktops, please cover runners to avoid particles entering the mechanism.

### T3 Assembly, Removal and Adjustment

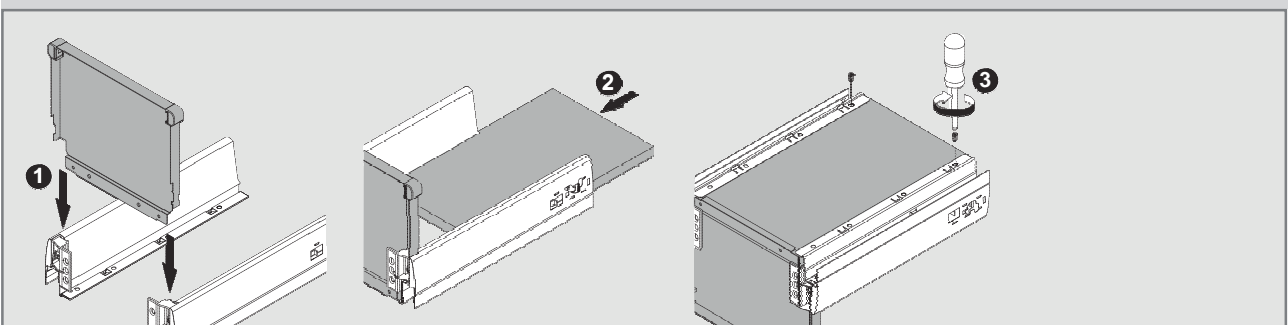
#### Standard Drawer Assembly - Wooden Back



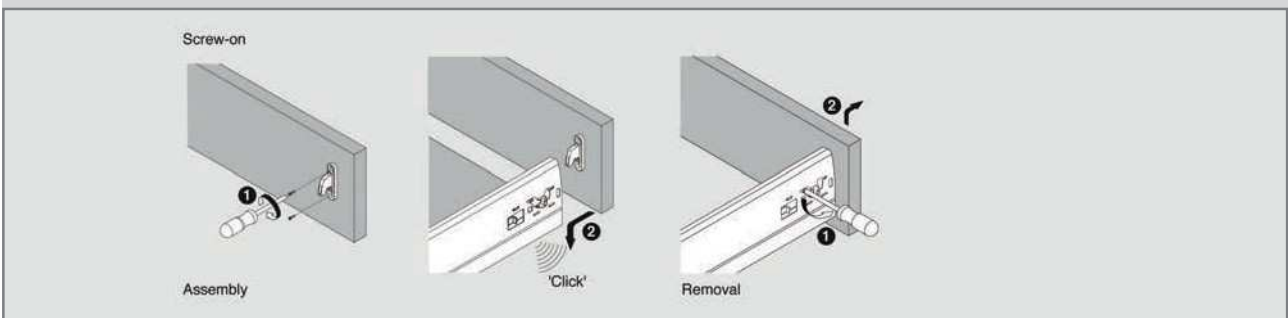
#### 150mm / 200mm Drawer Assembly - Wooden Back



#### Standard Drawer Assembly - Steel Back



#### Drawer Front Assembly and Removal

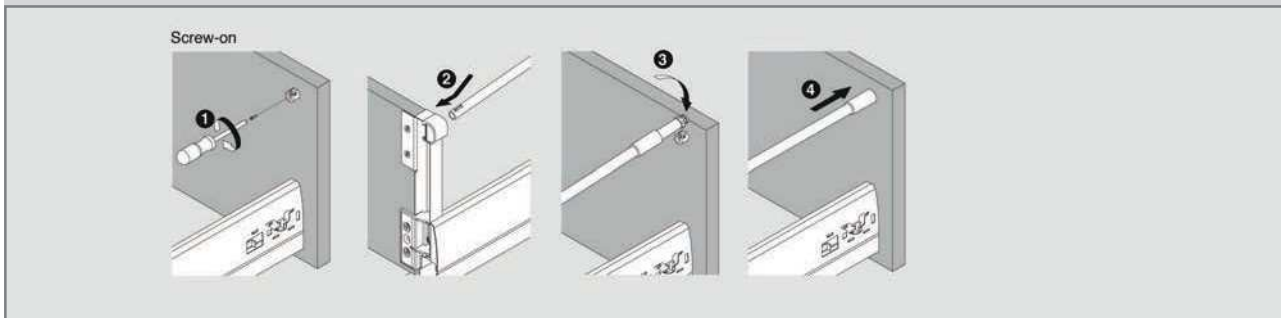


# Drawers

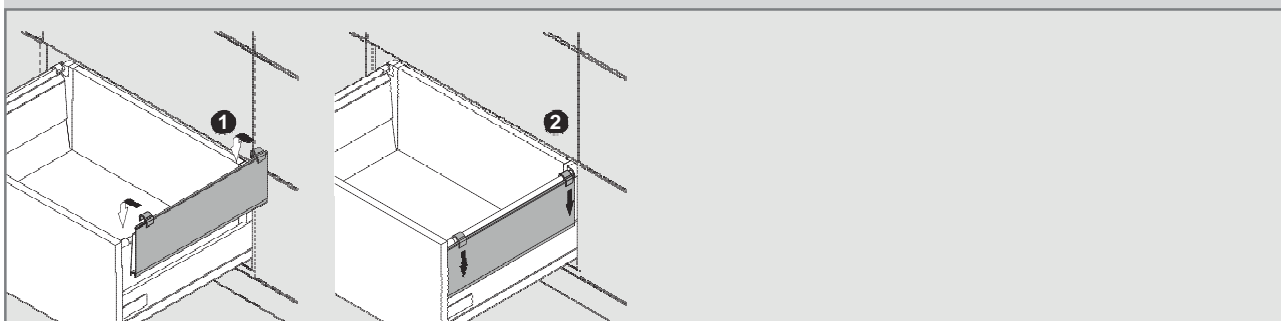
## T3 Drawer Details

### T3 Assembly, Removal and Adjustment

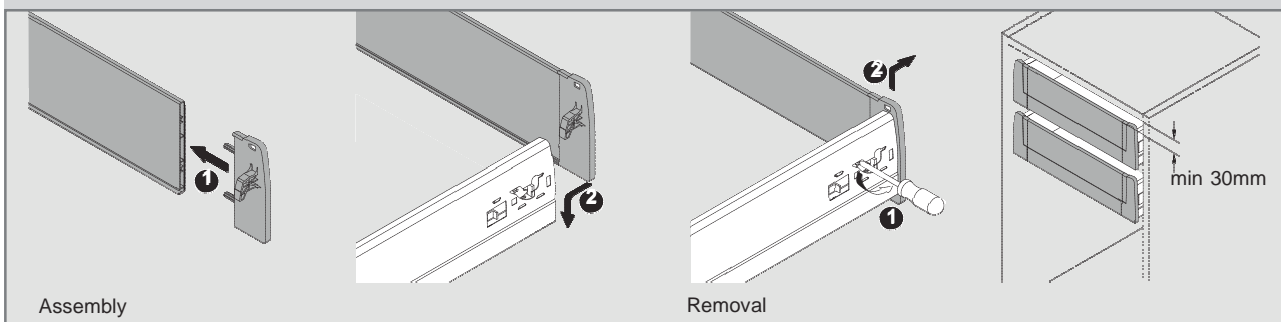
#### Railing Assembly



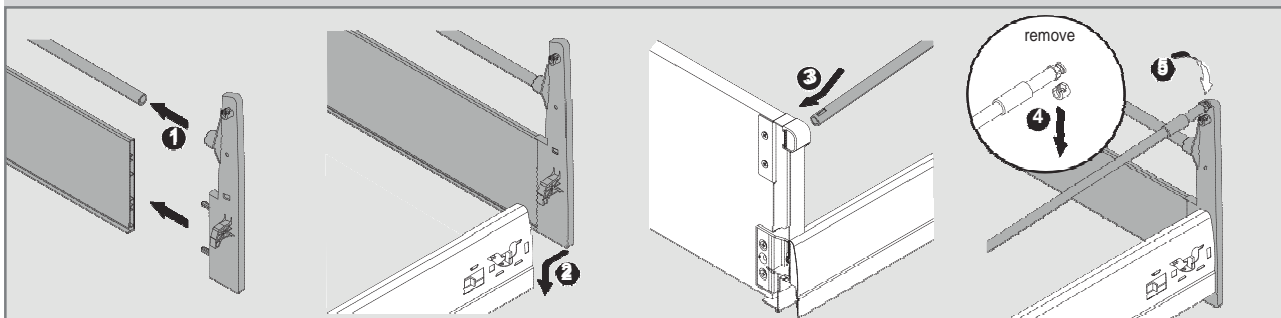
#### Side Extend Assembly



#### Inner Drawer S Assembly / Removal

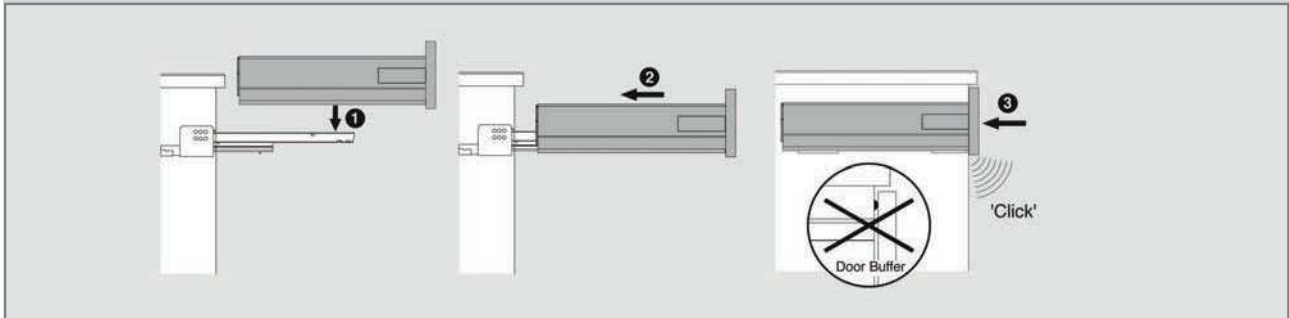


#### Inner Drawer Side Extend HS Assembly

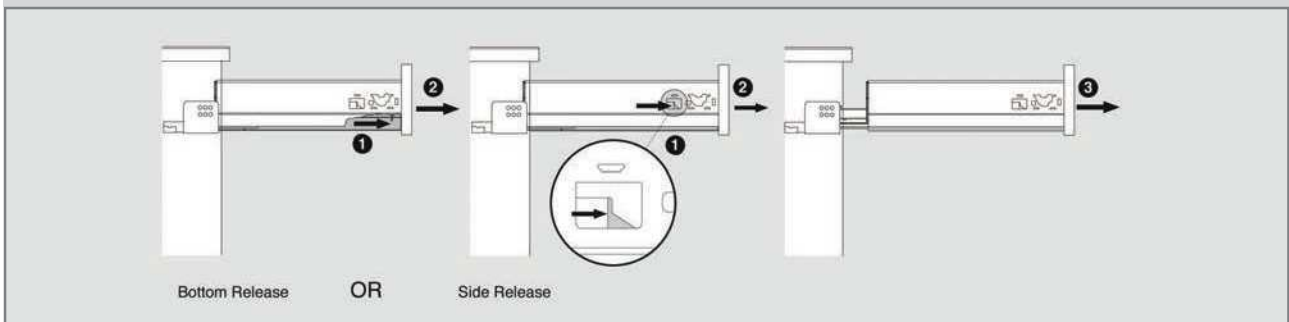


### T3 Assembly, Removal and Adjustment

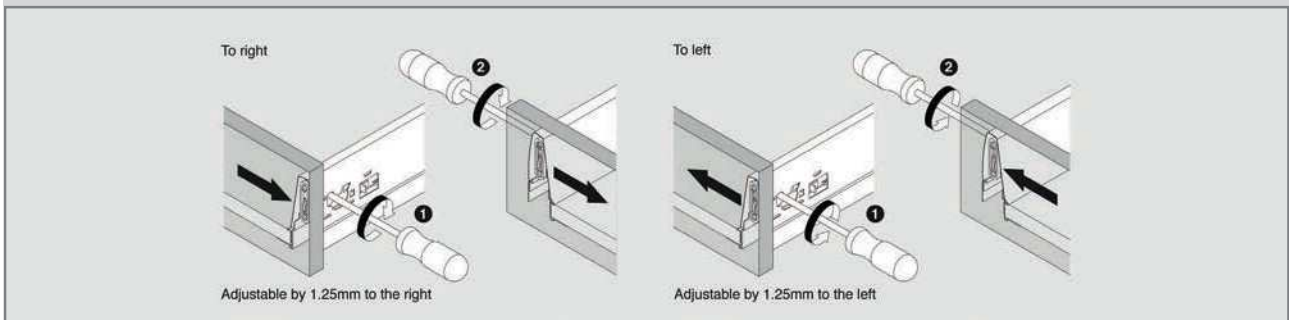
#### Drawer Insertion



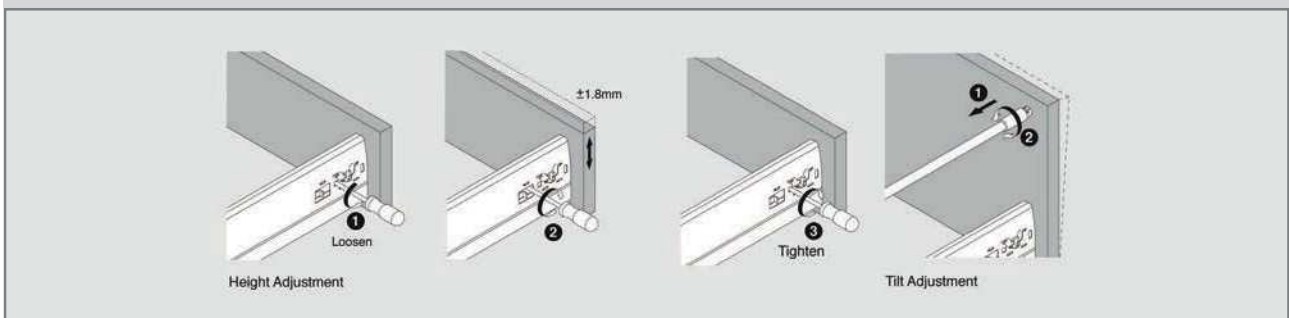
#### Drawer Removal



#### Drawer Front - Side Adjustment



#### Drawer Front - Height and Tilt Adjustment

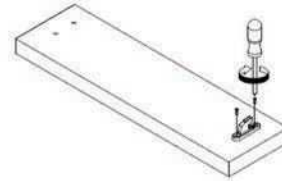
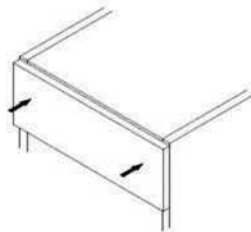
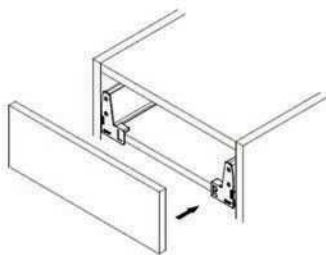
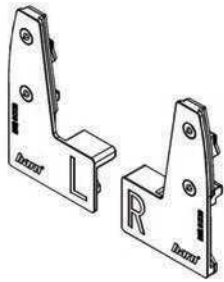


# Drawers

## T3 Drawer Details

### T3 Marking Devices

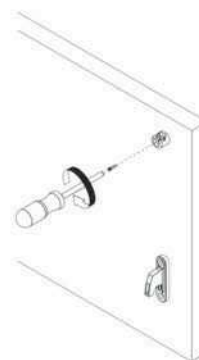
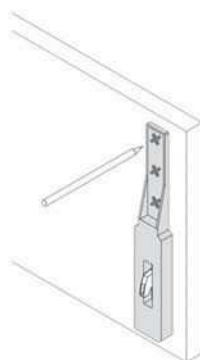
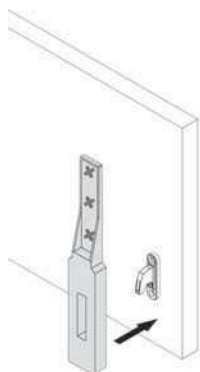
#### Drawer Front Marking Jigs



Product Code  
11T3090

- Simple and precise assembly
- No or minimal adjustment
- Better marking alignment with slimmer drawer gap
- Suitable for various bottom panel from 15mm to 18mm thickness

#### Railing Marking Template



Product Code  
11T3095

For marking single and double railing

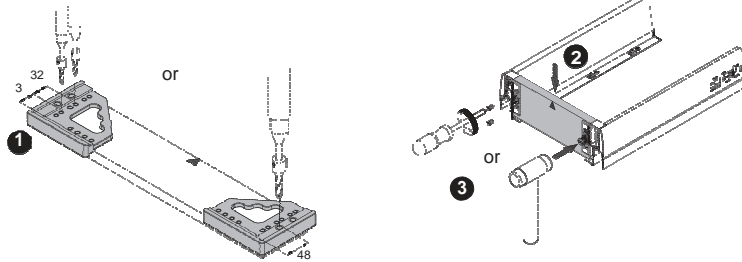
# Drawers

## T3 Drawer Details

### TRIOMAX Drilling Jig

#### Drilling Jig

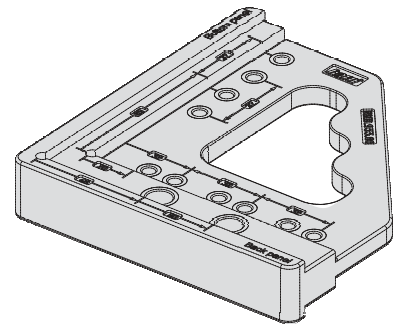
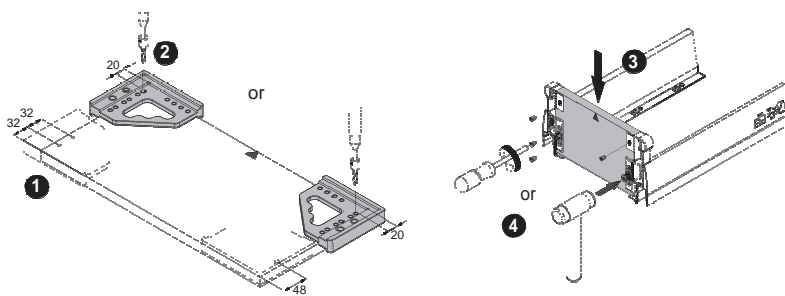
##### Back panel - S Height



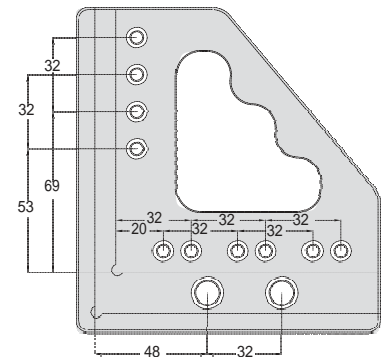
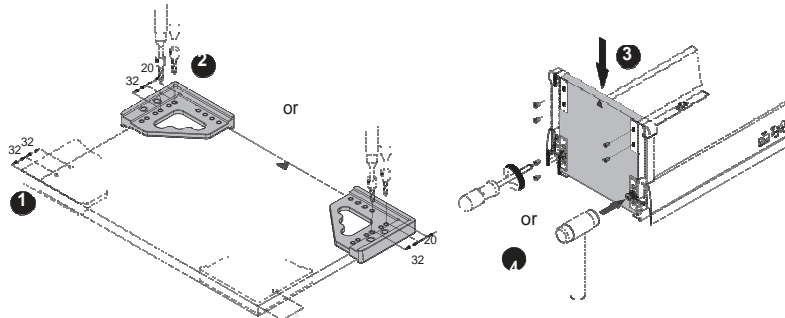
Product Code  
18SYSTEM51

For drilling or marking bottom panel and back panel.  
Included: One unit n5mm stop collar and one unit n10mm stop collar

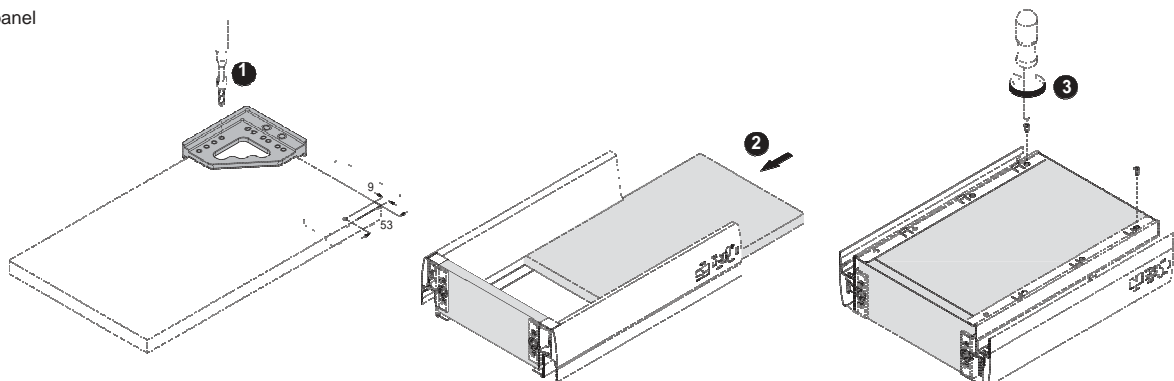
##### Back panel - M Height



##### Back panel - H Height



##### Bottom panel



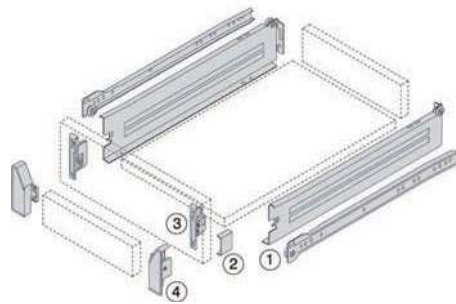
# Drawers

## IMPAZ Drawers

### IMPAZ Standard Drawer / Inner Drawer - Single Extension



CODE	PRODUCT
18SYS8627	86 X 270MM CREAM DRAWER
18SYS8635	86 X 350MM CREAM DRAWER
18SYS8640	86 X 400MM CREAM DRAWER
18SYS8645	86 X 450MM CREAM DRAWER
18SYSTEM20	86MM INTERNAL FIXING BRACKET CREAM



#### Features:

- \ Single Extension
- \ Steel drawer side panels 85mm
- \ Epoxy coated
- \ Load capacity of 30kg
- \ Self closing feature
- \ Flexible 2-dimensional front adjustment
- \ Smooth rolling mechanism
- \ Double out-stop safety feature
- \ Locked-in position when fully extended

Impaz 4020 Steel Drawer (30kg) has been tested by FIRA International Limited and successfully satisfied the selected strength test requirements of BS 6222: (1997): Part 2 to test level H.

#### Pack Contents

① Cabinet profile drawer side left / right:

② Cover cap-plain for standard brackets

③ Front fixing bracket standard  
Screw on

#### Additional Parts

④ Front fixing bracket

#### Space Requirements and Front Installation Dimensions

( ) Inner Drawer \* Add 6mm when used with 201.000 Drawer Front Locking Piece.

#### Cutting Dimensions for 16mm Chipboard

#### Standard Drawer

**Back panel**  
Width = Internal cabinet width - 31mm  
Height = 71mm

**Bottom panel**  
Width = Internal cabinet width - 31mm  
Length (wooden back) = Drawer length - 2mm  
Length (steel back) = Drawer length - 12mm

#### Inner Drawer

**Back panel**  
Width = Internal cabinet width - 31mm  
Height = 71mm

**Front panel**  
Width = Internal cabinet width - 64mm  
Height = 61mm

**Bottom panel**  
Width = Internal cabinet width - 31mm  
Length (wooden back) = Drawer length - 18mm  
Length (steel back) = Drawer length - 28mm



# Drawers

## IMPAZ Drawers

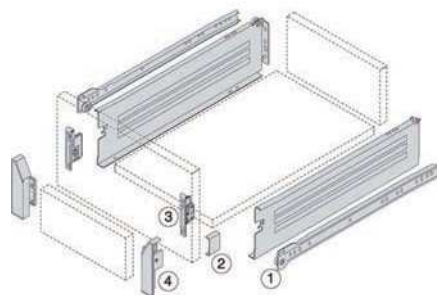
### IMPAZ Standard Drawer / Inner Drawer - Single Extension



CODE	PRODUCT
18SYS1135	118 X 350MM CREAM DRAWER
18SYS1140	118 X 400MM CREAM DRAWER
18SYS1145	118 X 450MM CREAM DRAWER
18SYSTEM21	118MM INT. FIXING BRACKET CREAM

#### Features:

- \ Single Extension
- \ Steel drawer side panels 117mm
- \ Epoxy coated
- \ Load capacity of 30kg
- \ Self closing feature
- \ Flexible 2-dimensional front adjustment
- \ Smooth rolling mechanism
- \ Double out-stop safety feature
- \ Locked-in position when fully extended



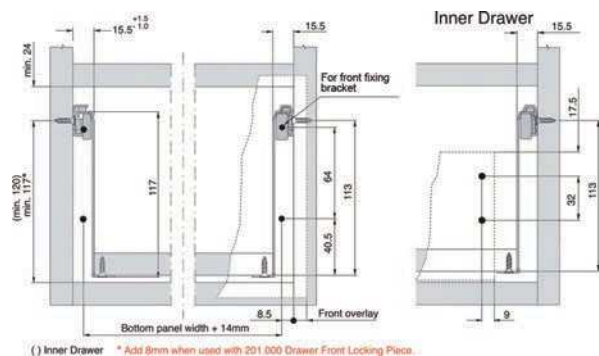
#### Pack Contents

- ① Cabinet profile drawer side left / right:
- ② Cover cap-plain for standard brackets
- ③ steel nickel plated Front fixing bracket standard  
Screw on

#### Additional Parts

- ④ Front fixing bracket

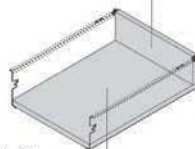
#### Space Requirements And Front Installation Dimensions



#### Cutting Dimensions for 16mm Chipboard

##### Standard Drawer

**Back panel**  
Width = Internal cabinet width - 31mm  
Height = 103mm

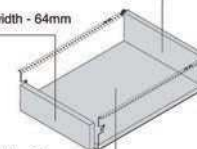


**Bottom panel**  
Width = Internal cabinet width - 31mm  
Length (wooden back) = Drawer length - 2mm  
Length (steel back) = Drawer length - 12mm

##### Inner Drawer

**Back panel**  
Width = Internal cabinet width - 31mm  
Height = 103mm

**Front panel**  
Width = Internal cabinet width - 64mm  
Height = 93mm



**Bottom panel**  
Width = Internal cabinet width - 31mm  
Length (wooden back) = Drawer length - 18mm  
Length (steel back) = Drawer length - 28mm

# Drawers

## IMPAZ Drawers

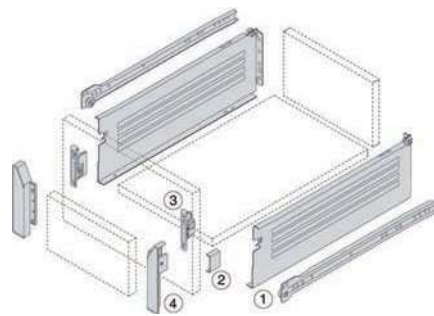
### IMPAZ Standard Drawer / Inner Drawer - Single Extension



CODE	PRODUCT
18SYS1535	150 X 350MM CREAM DRAWER
18SYS1540	150 X 400MM CREAM DRAWER
18SYS1545	150 X 450MM CREAM DRAWER
18SYS1550	150 X 500MM CREAM DRAWER
18SYSTEM22	150MM INT. FIXING BRACKET CREAM

#### Features:

- \ Single Extension
- \ Steel drawer side panels 149mm
- \ Epoxy coated
- \ Load capacity of 30kg
- \ Self closing feature
- \ Flexible 2-dimensional front adjustment
- \ Smooth rolling mechanism
- \ Double out-stop safety feature
- \ Locked-in position when fully extended



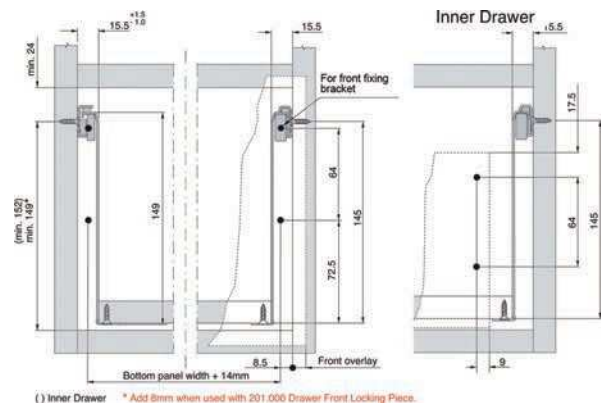
#### Pack Contents

- ① Cabinet profile drawer side left / right:
- ② Cover cap-plain for standard brackets
- ③ - steel metal plated Front fixing bracket standard  
Screw on

#### Additional Parts

- ④ Front fixing bracket

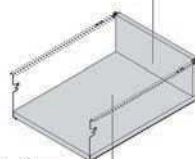
#### Space Requirements and Front Installation Dimensions



#### Cutting Dimensions for 16mm Chipboard

##### Standard Drawer

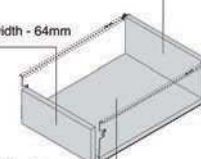
**Back panel**  
Width = Internal cabinet width - 31mm  
Height = 135mm



**Bottom panel**  
Width = Internal cabinet width - 31mm  
Length (wooden back) = Drawer length - 2mm  
Length (steel back) = Drawer length - 12mm

##### Inner Drawer

**Back panel**  
Width = Internal cabinet width - 31mm  
Height = 135mm



**Front panel**  
Width = Internal cabinet width - 64mm  
Height = 125mm

**Bottom panel**  
Width = Internal cabinet width - 31mm  
Length (wooden back) = Drawer length - 18mm  
Length (steel back) = Drawer length - 28mm

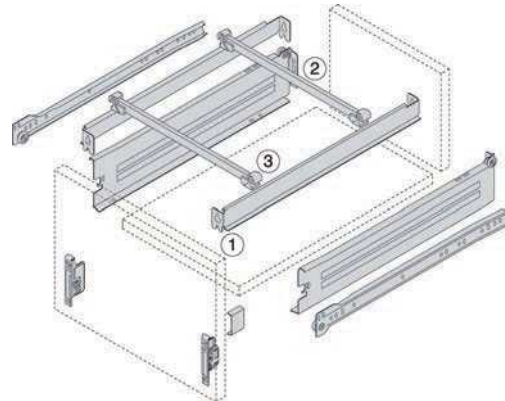
### IMPAZ Filing System Standard Drawer - Single Extension






#### Features:

- ✘ Single Extension
- ✘ Steel drawer side panels 85mm
- ✘ Epoxy coated
- ✘ Load capacity of 30kg
- ✘ Self closing feature
- ✘ Flexible 2-dimensional front adjustment
- ✘ Smooth rolling mechanism
- ✘ Double out-stop safety feature
- ✘ Locked-in position when fully extended

CODE	PRODUCT
18SYSTEM64A	86 X 450MM FILING DRAWER

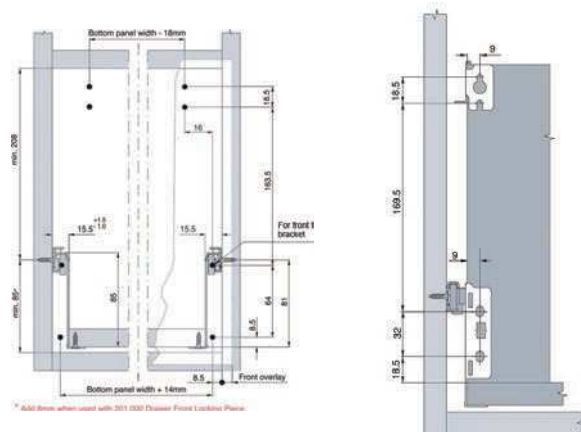


#### Pack Contents

- |   |  |
|---|--|
|  | Side hanging rail left / right: 450mm                      |
|  | Cross hanging rail   |
|  | Cross hanging rail connector<br>2 x for each cross railing |

#### Space Requirements and Front Installation Dimensions

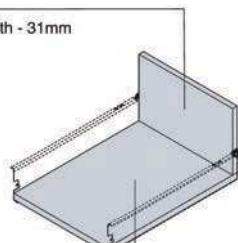
#### Back Installation Dimensions



#### Cutting Dimensions for 16mm Chipboard

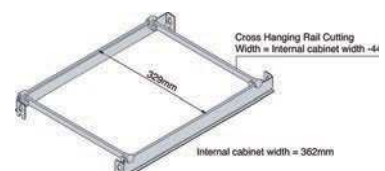
##### Standard Drawer

**Back panel**  
Width = Internal cabinet width - 31mm  
Height = 248mm

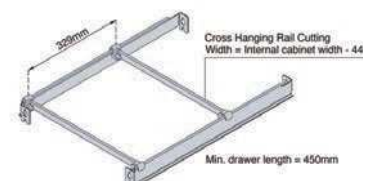


**Bottom panel**  
Width = Internal cabinet width - 31mm  
Length (wooden back) = Drawer length - 2mm

#### Din A4 Along Drawer Width



#### Din A4 Along Drawer Length



# Drawers

## IMPAZ Drawers

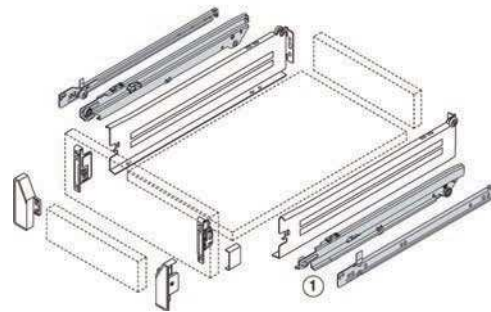
### IMPAZ Full Extension Runner



CODE	PRODUCT
18SYSTEM40	FULL EXTENSION RUNNER KIT 450MM

#### Features:

- ✘ Quick and easy installation
- ✘ Interchangeability for IMPAZ 86, 118, & 150mm single extension to full extension
- ✘ Load capacity of 40kg
- ✘ Epoxy Coated
- ✘ Smooth rolling mechanism
- ✘ Self closing features
- ✘ Double out-stop safety features
- ✘ Elastic shock absorbers to minimise noise level



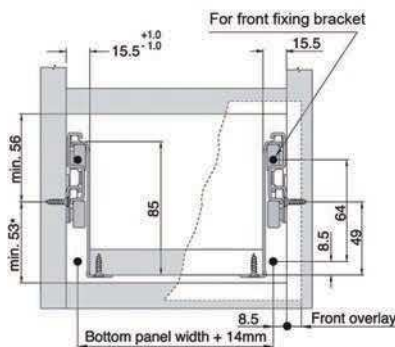
#### Pack Contents



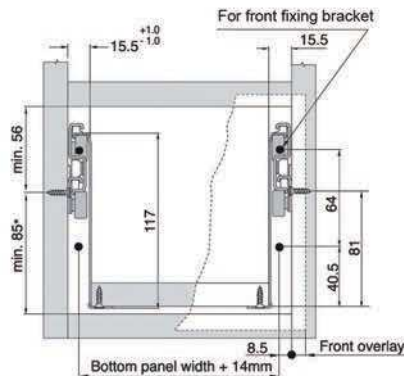
1 Cabinet profile drawer side left / right: 450mm

#### Space Requirements and Front Installation Dimensions

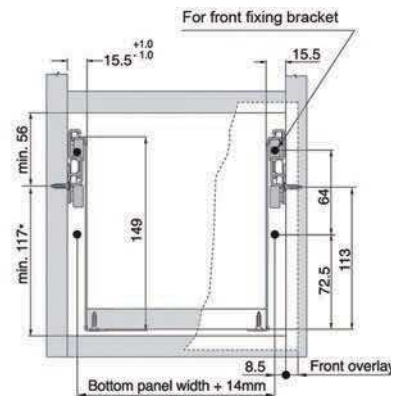
Drawer S  
86MM



Drawer T  
118MM



Drawer U  
150MM



\* Add 8mm when used with 201.000 Drawer Front Locking Piece.

# Drawers

## IMPAZ Drawer Parts & Packs

### IMPAZ Optional Extra Drawer Parts



Front fixing bracket

CODE	PRODUCT
18SYSTEM20	86MM INTERNAL FIXING BRACKET CREAM
18SYSTEM21	118MM INTERNAL FIXING BRACKET CREAM
18SYSTEM22	150MM INTERNAL FIXING BRACKET CREAM



Cross railing

CODE	PRODUCT
18SYSTEM35	500MM CROSS RAIL CREAM
18SYSTEM36	600MM CROSS RAIL CREAM



Railing set for wooden back  
Left / right:

CODE	PRODUCT
18SYSTEM30	450MM LATERAL RAILS CREAM



Cross railing connector

CODE	PRODUCT
18SYSTEM37	CROSS RAIL CONNECTOR CREAM (PER PAIR)

### IMPAZ Drawer Packs



#### Pack contents

- \ Chipboard back and base
- \ Metal drawer sides and runners
- \ Cover caps, screws and washers

#### Specification

- \ Available in cream
- \ Load 30kg
- \ Suitable for 15 or 18mm carcasses
- \ FIRA tested to BS 6222 (1997): Part 2 to test level H

CODE	PRODUCT
18BOX86300	SHALLOW BOXED DRAWER FOR 300MM CABINET (86MM HIGH)
18BOX86400	SHALLOW BOXED DRAWER FOR 400MM CABINET (86MM HIGH)
18BOX86500	SHALLOW BOXED DRAWER FOR 500MM CABINET (86MM HIGH)
18BOX86600	SHALLOW BOXED DRAWER FOR 600MM CABINET (86MM HIGH)
18BOX15500	DEEP BOXED DRAWER FOR 500MM CABINET (150MM HIGH)
18BOX15600	DEEP BOXED DRAWER FOR 600MM CABINET (150MM HIGH)

# Drawers

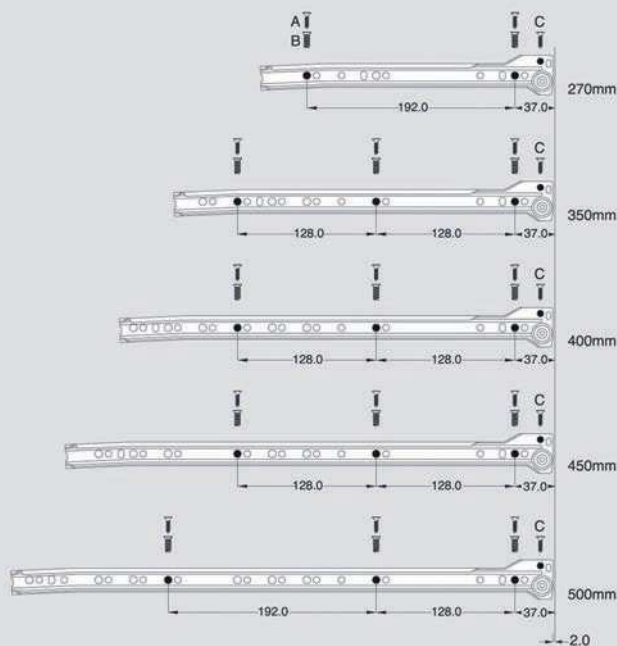
## IMPAZ Drawer Details

### IMPAZ Assembly, Removal and Adjustment

#### Single Extension

Fixing onto cabinet

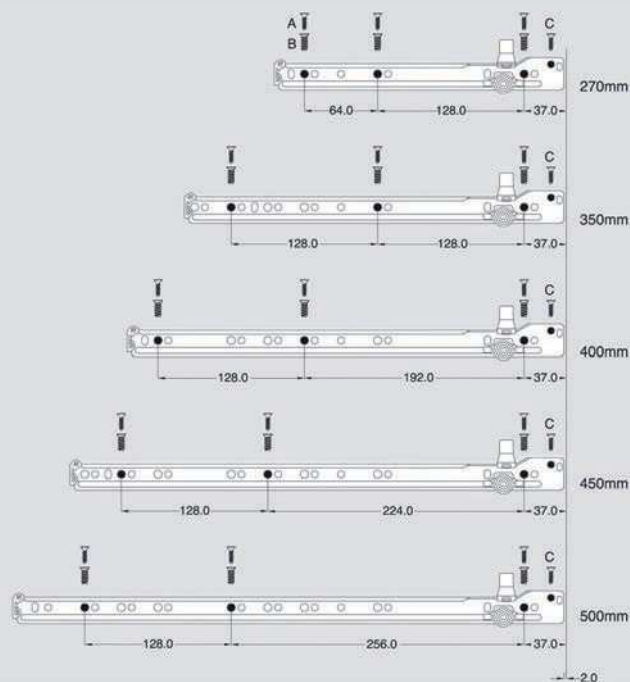
A Chipboard Screws  
 Ø 3.5 x 15



#### Full Extension

Fixing onto cabinet

A Chipboard Screws  
 Ø 3.5 x 15

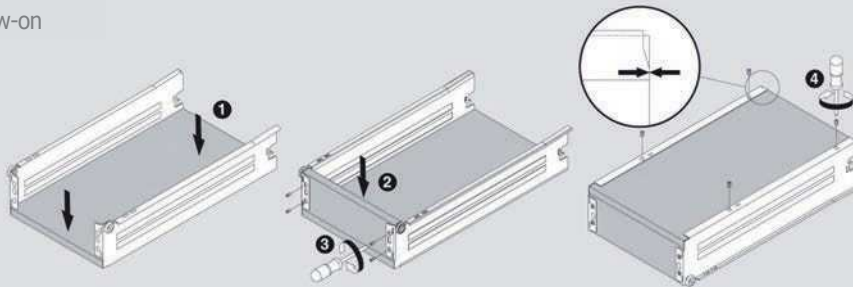




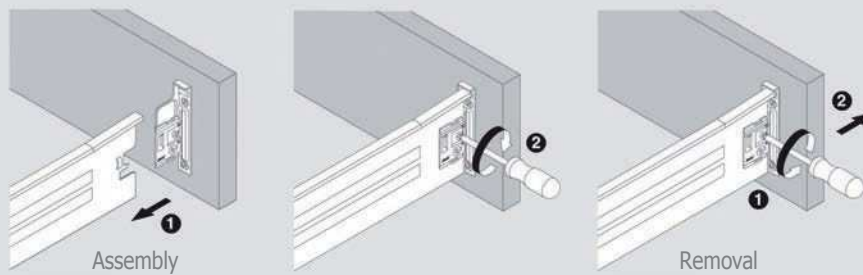
### IMPAZ Assembly, Removal and Adjustment

#### Drawer Assembly - Wooden Back

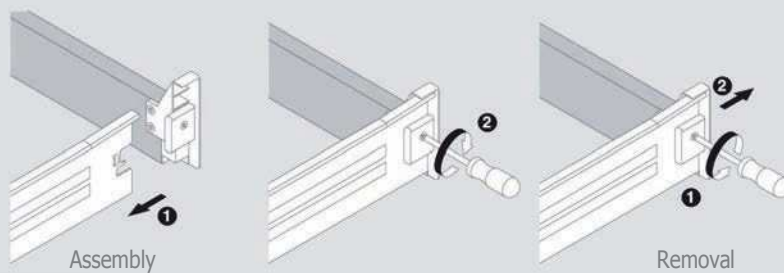
Screw-on



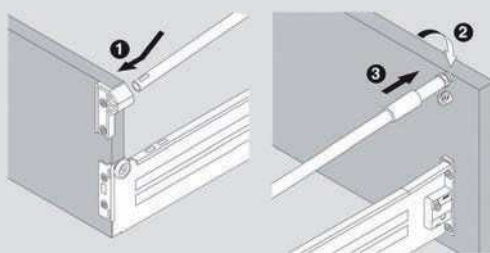
#### Drawer Front Assembly and Removal - Standard Bracket



#### Inner Drawer Assembly and Removal



#### Railing Assembly



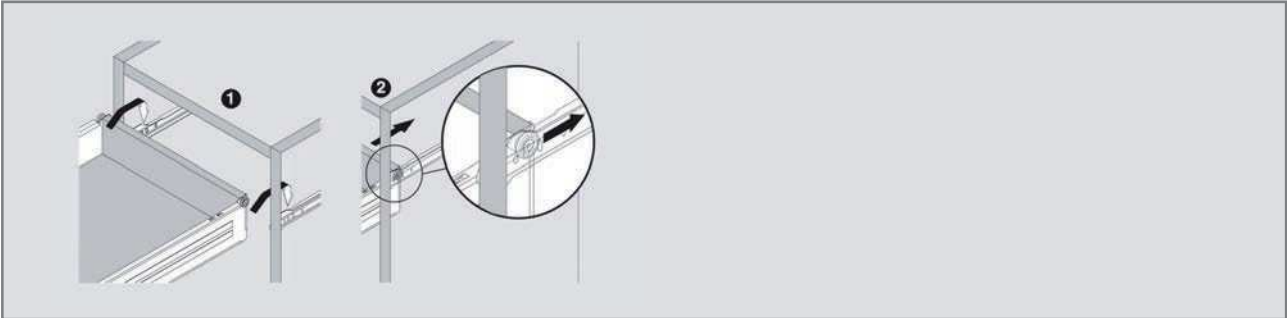


# Drawers

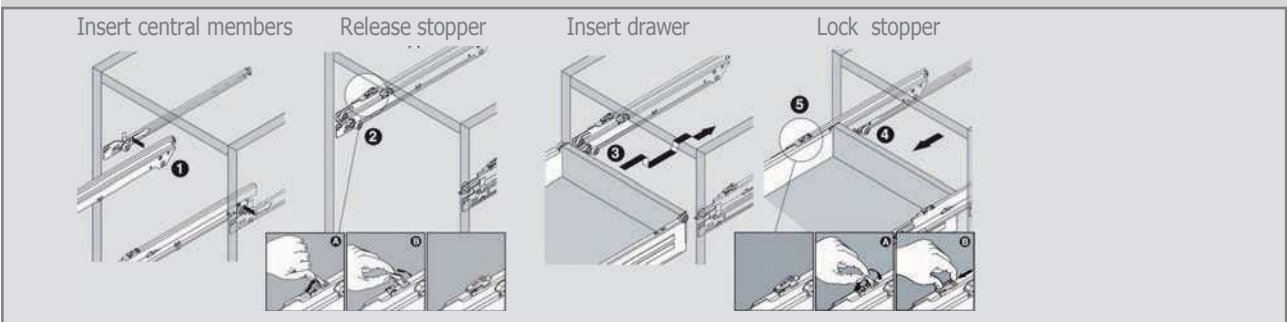
## IMPAZ Drawer Details

### IMPAZ Assembly, Removal and Adjustment

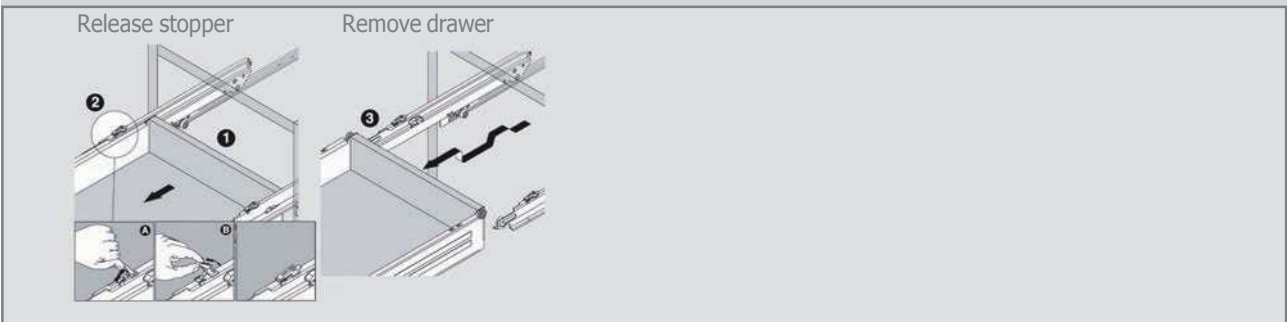
#### Drawer Insertion - Single Extension



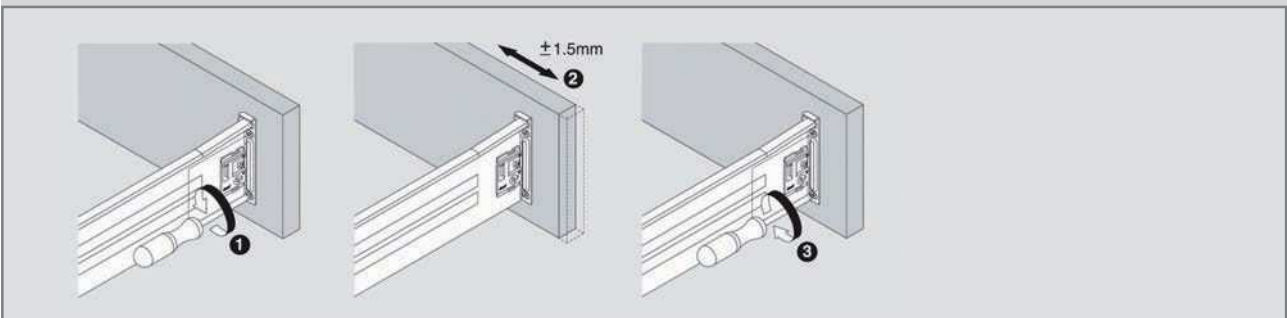
#### Drawer Insertion - Full Extension



#### Drawer Removal - Full Extension

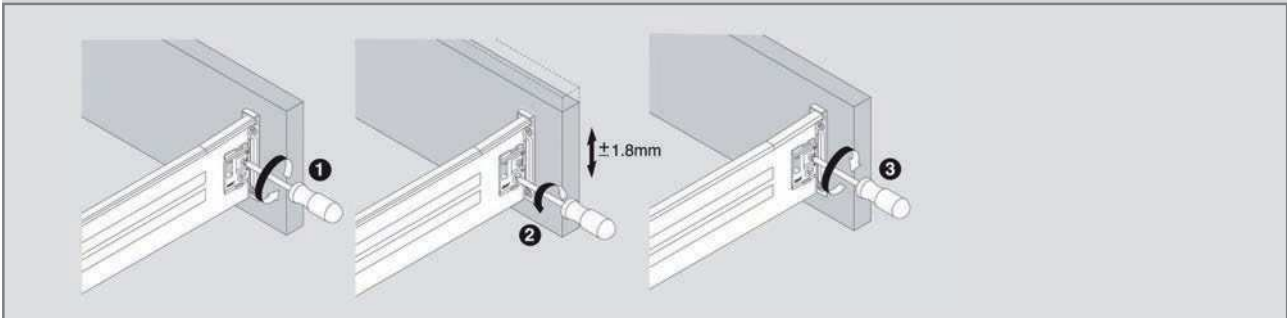


#### Drawer Front Side Adjustment - Standard Bracket

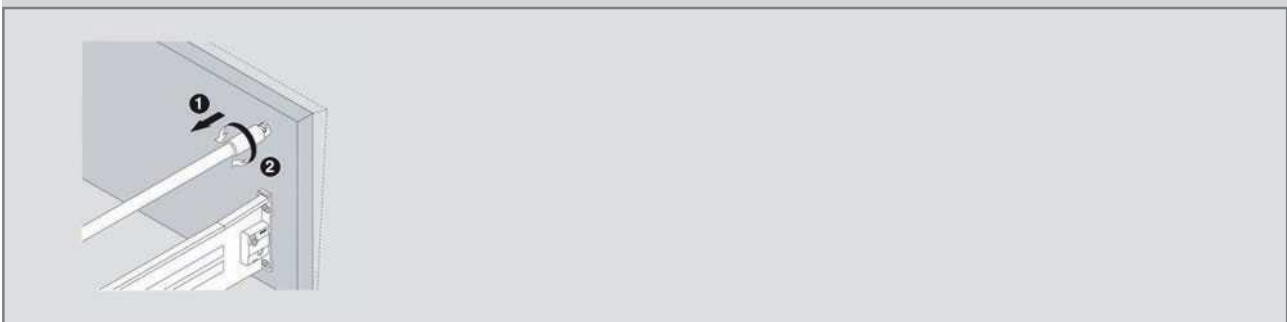


### IMPAZ Assembly, Removal and Adjustment

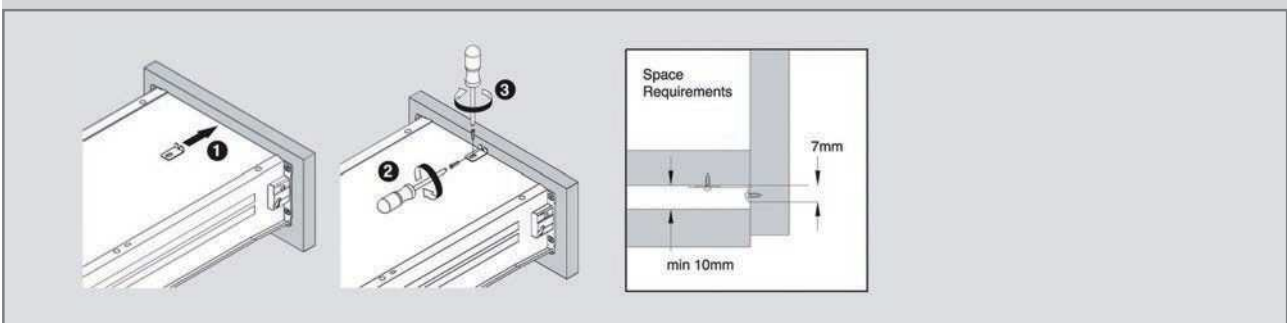
#### Drawer Front - Height Adjustment - Standard Bracket



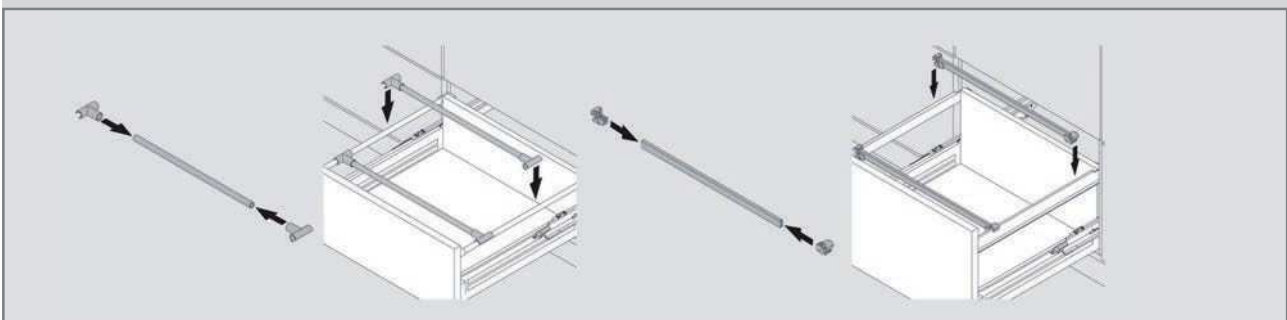
#### Drawer Front - Tilt Adjustment



#### Drawer Front - Locking Piece



#### Divider Railing / Filing Cross Hanging Rail Assembly



# Drawers

## IMPAZ Drawer Details

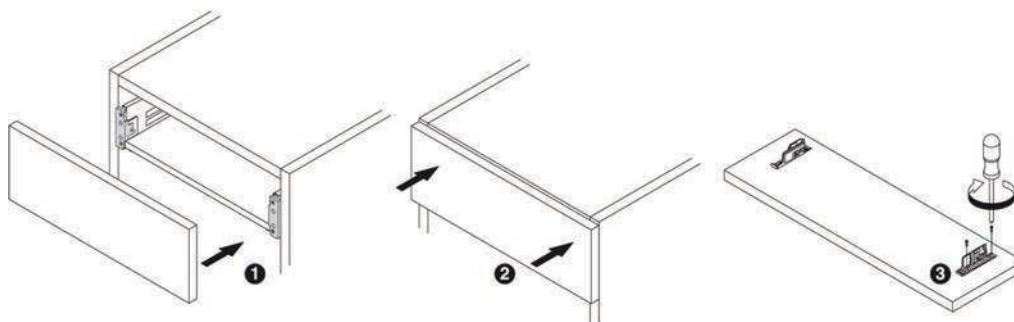
IMPAZ Marking Devices

### Drawer Front Marking Jigs

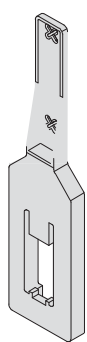


Product Code  
18SYSTEM52

Included: 6 marking pins

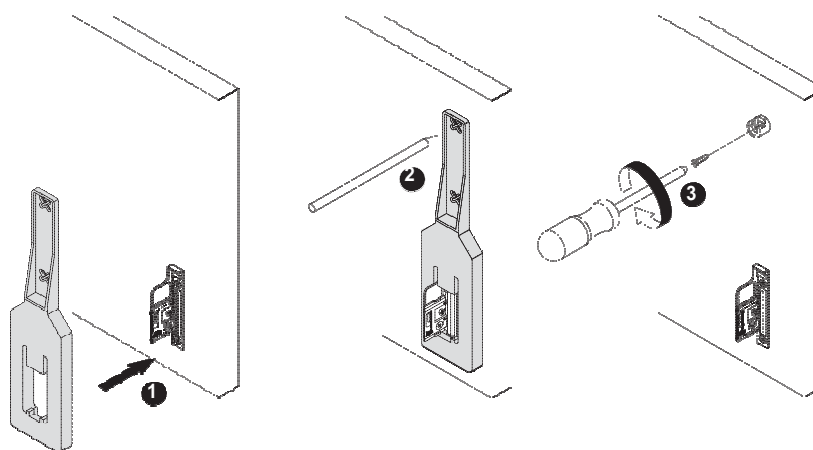


### Railing Marking Template



Product Code  
18SYSTEM50

For marking single and  
double railing



# Drawers

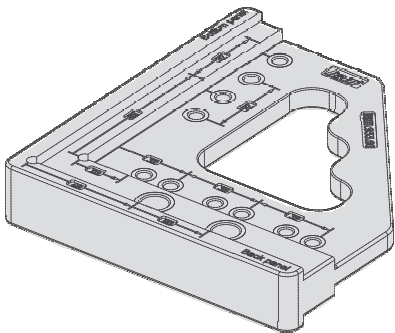
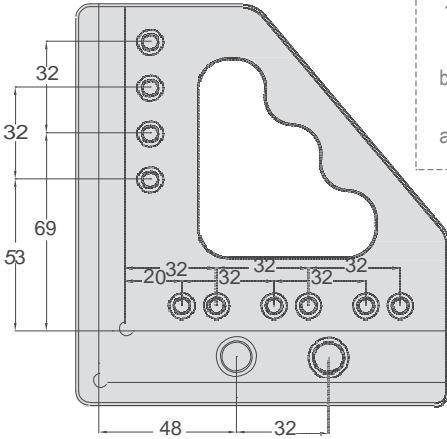
## IMPAZ Drawer Details

### IMPAZ Drilling Jig

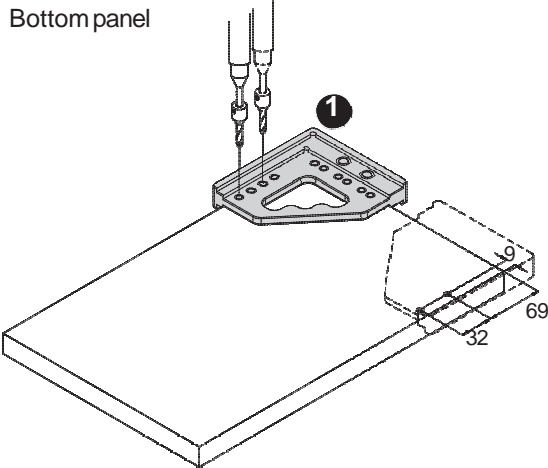
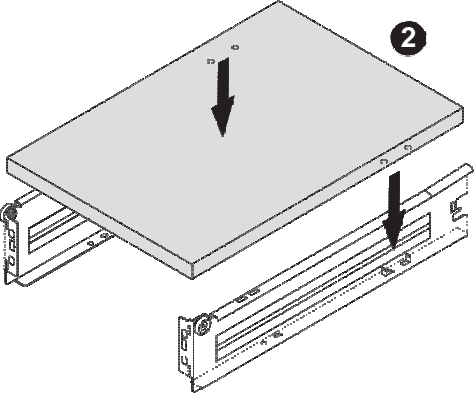
**Drilling Jig**

**Product Code**  
18SYSTEM51

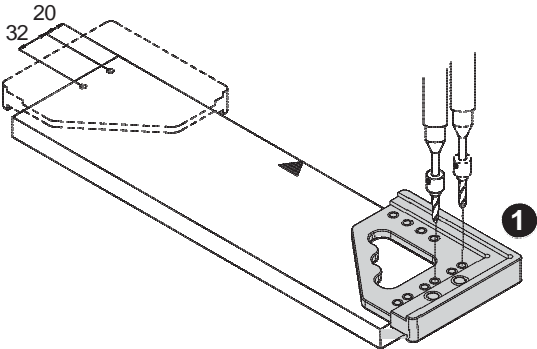
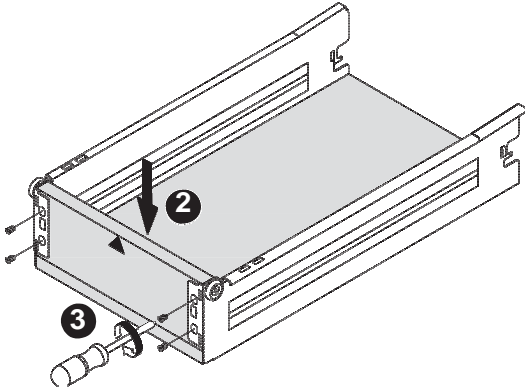

For drilling or marking bottom panel and back panel.  
Included: One unit n5mm stop collar and one unit n10mm stop collar

**Bottom panel**

**Back panel**

### Impaz Soft Close Device Universal Soft Close Device for Single Wall Drawers



CODE	PRODUCT
18IMPAZSOFT02	IMPAZ SOFT CLOSE DEVICE (1 PC)

NOTE: BAGGED & SOLD IN A PACK OF 1PCS MINIMUM  
PURCHASE IS 1 BAG (1PCS)

#### Note

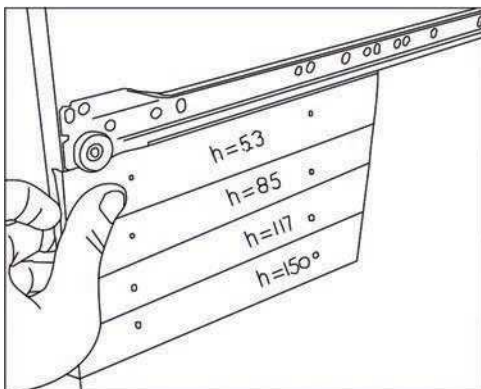
- \ For up to 600mm wide drawer fronts use 1 x IMPAZ soft close device.
- \ For drawer fronts wider than 600mm use 2 x IMPAZ soft close device.

#### Bag contents

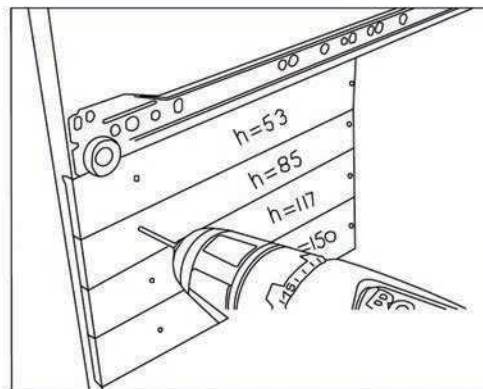
- \ 1x dampers
- \ 4x plastic clips
- \ Screws for fitting
- \ Fitting instructions and card template

### Installation for Single Wall Drawer

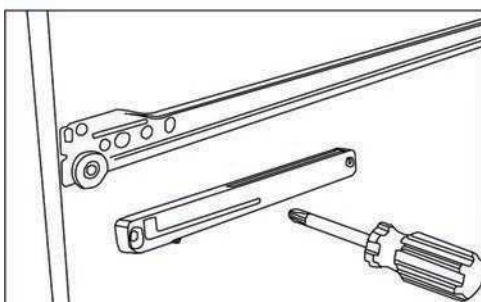
1. Adjust the cardboard



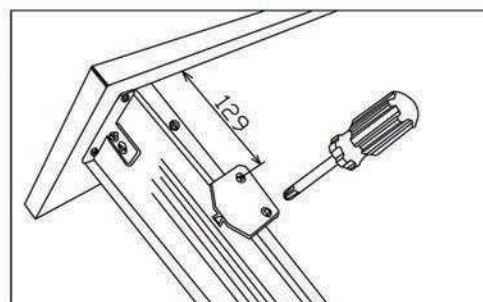
2. Drill holes



3. Install damper



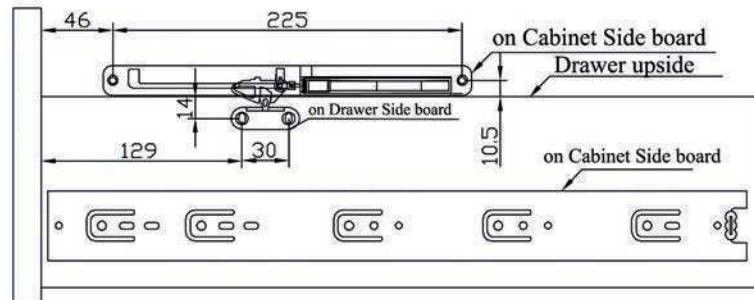
4. Install plastic clip



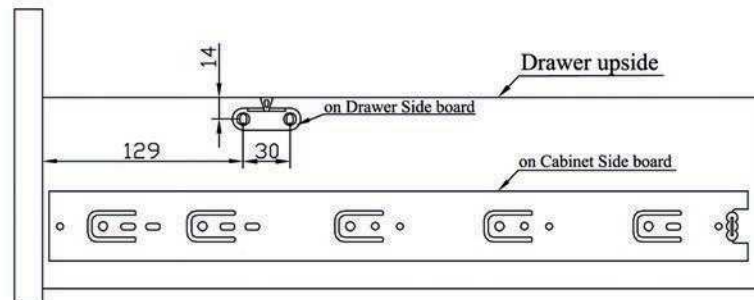
### Impaz Soft Close Device Universal Soft Close Device for Single Wall Drawers

#### Installation for Ball Bearing Side

1. Install damper

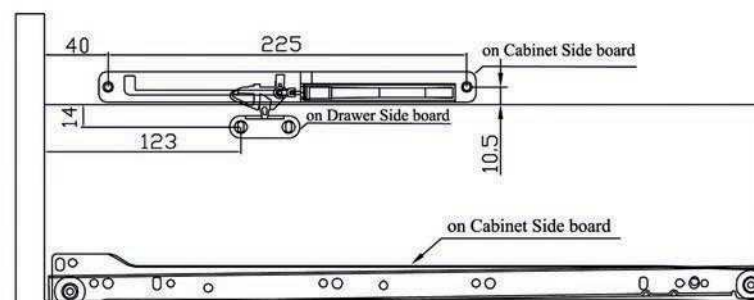


2. Install plastic clip

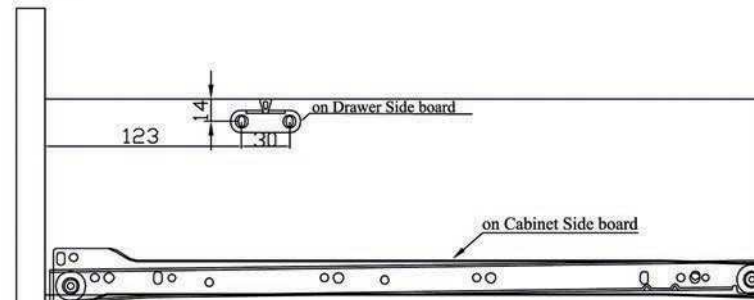


#### Installation for Bottom Fixed Runners

1. Install damper



2. Install plastic clip



# Drawers

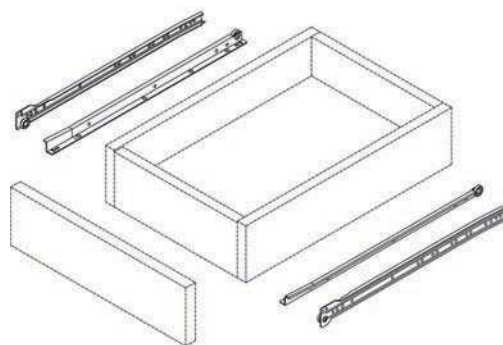
## Bottom Fixed Runners

### Bottom Fixed Runners Standard Drawers



CODE	PRODUCT
19B250	250MM CREAM RUNNERS (PAIR)
19B300	300MM CREAM RUNNERS (PAIR)
19B350	350MM CREAM RUNNERS (PAIR)
19B400	400MM CREAM RUNNERS (PAIR)
19B450	450MM CREAM RUNNERS (PAIR)
19B500	500MM CREAM RUNNERS (PAIR)

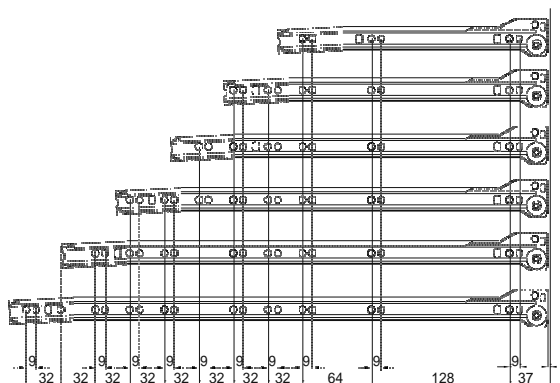
- \ Load rating: 30Kg
- \ Finish: epoxy coated cream
- \ Self closing feature
- \ Double out - stop safety feature
- \ Locked - in position when fully extended



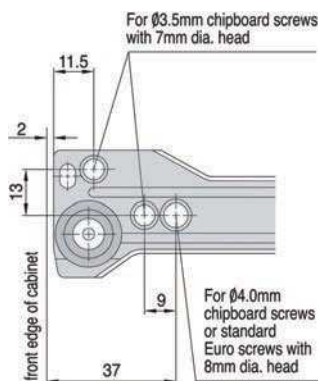
### Cabinet Profile Screw Positions

Drawer Length
250mm
300mm
350mm
400mm
450mm
500mm

Min. internal cabinet depth = drawer length + 3 mm



### Drilling Pattern





# Drawer Storage Solutions

## Plastic Drawer Inserts





SPECIFICATION		PRODUCT CODE AND INFORMATION	PRODUCT IMAGE
PRODUCT	CUTLERY TRAY FOR IMPAZ	94C40018 (330 X 428 X 50mm)	
MATERIAL	PLASTIC	94C50018 (430 X 428 X 50mm)	
FINISH/EFFECT	CREAM	94C60018 (530 X 428 X 50mm)	
MISC	TO BE USED WITH IMPAZ 450mm DEEP DRAWERS	94C80018 (730 X 428 X 50mm)	
		94C90018 (830 X 428 X 50mm)	
		94C10018 (930 X 428 X 50mm)	
PRODUCT	EXCELLENT CUTLERY TRAY	94EX500CF (405 X 420 X 50mm)	
MATERIAL	PLASTIC	94EX600CF (505 X 420 X 50mm)	
FINISH/EFFECT	CARBON FIBRE	94EX800CF (705 X 420 X 50mm)	
MISC	TO BE USED WITH T3 450mm DEEP DRAWERS	94EX900CF (805 X 420 X 50mm)	
		94EX1000CF (905 X 420 X 50mm)	
PRODUCT	SCOOP CUTLERY TRAY	94SCOOP40 (305 X 418 X 60mm)	
MATERIAL	PLASTIC	94SCOOP50 (405 X 418 X 60mm)	
FINISH/EFFECT	GREY	94SCOOP60 (505 X 418 X 60mm)	
MISC	TO BE USED WITH T3 450mm DEEP DRAWERS	94SCOOP80 (705 X 418 X 60mm)	
	DIVIDERS (PACK OF 4) AND TRAYS CAN BE PURCHASED SEPARATELY	94SCOOP90 (805 X 418 X 60mm)	
		94SCOOP100 (905 X 418 X 60mm)	
		94SCOOPDIV (DIVIDER GREY X 4)	
		94SCOOPTRAY (TRAY GREY)	
PRODUCT	SCOOP CUTLERY TRAY	94SCOOP40 (305 X 418 X 60mm)	
MATERIAL	PLASTIC	94SCOOP50 (405 X 418 X 60mm)	
FINISH/EFFECT	WHITE	94SCOOP60 (505 X 418 X 60mm)	
MISC	TO BE USED WITH T3 450mm DEEP DRAWERS	94SCOOP80 (705 X 418 X 60mm)	
	DIVIDERS (PACK OF 4) AND TRAYS CAN BE PURCHASED SEPARATELY	94SCOOP90 (805 X 418 X 60mm)	
		94SCOOP100 (905 X 418 X 60mm)	
		94SCOOPWDIV (DIVIDER GREY X 4)	
		94SCOOPWTRAY (TRAY GREY)	
PRODUCT	SCOOP CUTLERY INSERT DIVIDERS & TRAYS	94SCOOPDIV (DIVIDER GREY X 4)	
MATERIAL	PLASTIC	94SCOOPWDIV (DIVIDER WHITE X 4)	
FINISH/EFFECT	GREY /WHITE	94SCOOPTRAY (TRAY GREY)	
MISC	TO BE USED WITH T3 450mm DEEP DRAWERS	94SCOOPWTRAY (TRAY WHITE)	
	DIVIDERS COME IN PACK OF 4		
	TRAYS COME IN SINGLE PACKS		



EXCELLENT cutlery tray for T3

# Drawer Storage Solutions

## Beech Utensil Holders / Beech Knife Holder / Cutlery Inserts

SPECIFICATION		PRODUCT CODE AND INFORMATION	PRODUCT IMAGE
PRODUCT	400mm UTENSIL HOLDER	94SYLUH400 (TO FIT 400mm DRAWER) (DIMENSION (mm): 22 X 295 X 422) NOTE: CONTENTS MAY VARY SLIGHTLY FROM THOSE LISTED	
MATERIAL	BEECH		
FINISH/EFFECT	NATURAL BEECH		
PACK CONTENTS (TOTAL 7 PCS)	POTATO PEELER ICE CREAM SCOOP FLAT GRATER BOTTLE OPENER NUT CRACKER CORK SCREW TIN OPENER		
MISC	TO BE USED WITH T3 450mm DEEP DRAWERS		
PRODUCT	500mm UTENSIL HOLDER	94SYLUH500 (TO FIT 500mm DRAWER) (DIMENSION (mm): 22 X 395 X 422) NOTE: CONTENTS MAY VARY SLIGHTLY FROM THOSE LISTED	
MATERIAL	BEECH		
FINISH/EFFECT	NATURAL BEECH		
PACK CONTENTS (TOTAL 9 PCS)	ICE CREAM SCOOP CAKE SERVER TEA STRAINER FLAT GRATER BOTTLE OPENER CORK SCREW POTATO PEELER NUT CRACKER TIN OPENER		
MISC	TO BE USED WITH T3 450mm DEEP DRAWERS		
PRODUCT	600mm UTENSIL HOLDER	94SYLUH600 (TO FIT 600mm DRAWER) (DIMENSION (mm): 22 X 495 X 422) NOTE: CONTENTS MAY VARY SLIGHTLY FROM THOSE LISTED	
MATERIAL	BEECH		
FINISH/EFFECT	NATURAL BEECH		
PACK CONTENTS (TOTAL 11 PCS)	ICE CREAM SCOOP CAKE SERVER TEA STRAINER FLAT GRATER BOTTLE OPENER SMALL CHOPPER CORK SCREW POTATO PEELER NUT CRACKER TIN OPENER GARLIC PRESS		
MISC	TO BE USED WITH T3 450mm DEEP DRAWERS		
PRODUCT	600mm KNIFE HOLDER	94KNIFE600 (TO FIT 600mm DRAWER) (DIMENSION (mm): 22 X 495 X 422) NOTE: CONTENTS MAY VARY SLIGHTLY FROM THOSE LISTED	
MATERIAL	BEECH		
FINISH/EFFECT	NATURAL BEECH		
PACK CONTENTS (TOTAL 8 PCS)	CHOP BONE KNIFE CLEAVER CHEF KNIFE BREAD KNIFE SLICING KNIFE UTILITY KNIFE STRAIGHT FRUIT KNIFE KNIFE SHARPNER		
MISC	TO BE USED WITH T3 450mm DEEP DRAWERS		

# Drawer Storage Solutions

## Beech Cutlery, Knife & Utensil Inserts

SPECIFICATION		PRODUCT CODE AND INFORMATION	PRODUCT IMAGE
PRODUCT	1000mm CUTLERY & UTENSIL INSERT	94COMBO1 (TO FIT 1000mm DRAWER) NOTE: CONTENTS MAY VARY SLIGHTLY FROM THOSE LISTED	
MATERIAL	BEECH		
FINISH/EFFECT	NATURAL BEECH		
PACK CONTENTS	94SYLB500 (CUTLERY INSERT) 94SYLUH500 (UTENSIL INSERT) 100mm SPACER		
MISC	TO BE USED WITH T3 450mm DEEP DRAWERS		
PRODUCT	1000mm CUTLERY & KNIFE INSERT	94COMBO2 (TO FIT 1000mm DRAWER) NOTE: CONTENTS MAY VARY SLIGHTLY FROM THOSE LISTED	
MATERIAL	BEECH		
FINISH/EFFECT	NATURAL BEECH		
PACK CONTENTS	94SYLB500 (CUTLERY INSERT) 94KINF500 (KNIFE INSERT) 100mm SPACER		
MISC	TO BE USED WITH T3 450mm DEEP DRAWERS		
PRODUCT	900mm CUTLERY & UTENSIL INSERT	94COMBO3 (TO FIT 900mm DRAWER) NOTE: CONTENTS MAY VARY SLIGHTLY FROM THOSE LISTED	
MATERIAL	BEECH		
FINISH/EFFECT	NATURAL BEECH		
PACK CONTENTS	94SYLB400 (CUTLERY INSERT) 94SYLUH500 (UTENSIL HOLDER) 100mm SPACER		
MISC	TO BE USED WITH T3 450mm DEEP DRAWERS		
PRODUCT	900mm CUTLERY & KNIFE INSERT	94COMBO4 (TO FIT 900mm DRAWER) NOTE: CONTENTS MAY VARY SLIGHTLY FROM THOSE LISTED	
MATERIAL	BEECH		
FINISH/EFFECT	NATURAL BEECH		
PACK CONTENTS	94SYLB400 (CUTLERY INSERT) 94KINF500 (KNIFE INSERT) 100mm SPACER		
MISC	TO BE USED WITH T3 450mm DEEP DRAWERS		
PRODUCT	800mm CUTLERY & UTENSIL INSERT	94COMBO5 (TO FIT 800mm DRAWER) NOTE: CONTENTS MAY VARY SLIGHTLY FROM THOSE LISTED	
MATERIAL	BEECH		
FINISH/EFFECT	NATURAL BEECH		
PACK CONTENTS	94SYLB400 (CUTLERY INSERT) 94SYLUH500 (UTENSIL HOLDER)		
MISC	TO BE USED WITH T3 450mm DEEP DRAWERS		
PRODUCT	800mm CUTLERY & KNIFE INSERT	94COMBO6 (TO FIT 800mm DRAWER) NOTE: CONTENTS MAY VARY SLIGHTLY FROM THOSE LISTED	
MATERIAL	BEECH		
FINISH/EFFECT	NATURAL BEECH		
PACK CONTENTS	94SYLB400 (CUTLERY INSERT) 94KINF500 (KNIFE INSERT)		
MISC	TO BE USED WITH T3 450mm DEEP DRAWERS		






Beech cutlery insert for T3



# Drawer Storage Solutions

## Beech Plate Rack Inserts


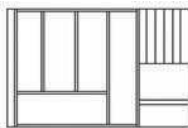

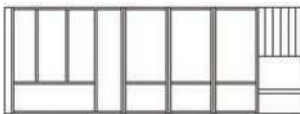



SPECIFICATION		PRODUCT CODE AND INFORMATION	PRODUCT IMAGE
PRODUCT	400mm UPRIGHT PLATE RACK	94SYLPLATE400 (TO FIT 400mm DRAWER) (DIMENSION (mm): 46 X 305 X 422)	
MATERIAL	BEECH		
FINISH/EFFECT	NATURAL BEECH		
MISC	TO BE USED WITH T3 450mm DEEP DRAWERS		
PRODUCT	500mm UPRIGHT PLATE RACK	94SYLPLATE500 (TO FIT 500mm DRAWER) (DIMENSION (mm): 46 X 405 X 422)	
MATERIAL	BEECH		
FINISH/EFFECT	NATURAL BEECH		
MISC	TO BE USED WITH T3 450mm DEEP DRAWERS		
PRODUCT	600mm UPRIGHT PLATE RACK	94SYLPLATE600 (TO FIT 600mm DRAWER) (DIMENSION (mm): 46 X 505 X 422)	
MATERIAL	BEECH		
FINISH/EFFECT	NATURAL BEECH		
MISC	TO BE USED WITH T3 450mm DEEP DRAWERS		



Beech plate rack insert for T3

# Drawer Storage Solutions

## Cutlery Inserts & Wicker Baskets

SPECIFICATION		PRODUCT CODE AND INFORMATION	PRODUCT IMAGE
PRODUCT	500mm CUTLERY TRAY INSERT	94SYL500 (TO FIT 500mm DRAWER) (DIMENSION (mm): 64 X 407 X 422)	
MATERIAL	BIRCH PLYWOOD		
FINISH/EFFECT	NATURAL BEECH		
PACK CONTENTS	CUTLERY TRAY		
MISC	TO BE USED WITH T3 450mm DEEP DRAWERS		
PRODUCT	600mm CUTLERY TRAY INSERT	94SYL600 (TO FIT 600mm DRAWER) (DIMENSION (mm): 64 X 505 X 422)	
MATERIAL	BIRCH PLYWOOD		
FINISH/EFFECT	NATURAL BEECH		
PACK CONTENTS	CUTLERY TRAY & KNIFE BLOCK		
MISC	TO BE USED WITH T3 450mm DEEP DRAWERS		
PRODUCT	800mm CUTLERY TRAY INSERT	94SYL800 (TO FIT 800mm DRAWER) (DIMENSION (mm): 64 X 705 X 422)	
MATERIAL	BIRCH PLYWOOD		
FINISH/EFFECT	NATURAL BEECH		
PACK CONTENTS	CUTLERY TRAY & KNIFE BLOCK		
MISC	TO BE USED WITH T3 450mm DEEP DRAWERS		
PRODUCT	1000mm CUTLERY TRAY INSERT	94SYL100 (TO FIT 1000mm DRAWER) (DIMENSION (mm): 64 X 905 X 422)	
MATERIAL	BIRCH PLYWOOD		
FINISH/EFFECT	NATURAL BEECH		
PACK CONTENTS	CUTLERY TRAY & KNIFE BLOCK		
MISC	TO BE USED WITH T3 450mm DEEP DRAWERS		
PRODUCT	1200mm PEGBOARD	94SYLPEG00 (TO FIT UP TO 1200mm DRAWER) (DIMENSION (mm): 8 X 1200 X 422)	
MATERIAL	MOISTURE RESISTANT MDF		
FINISH/EFFECT	NATURAL BEECH		
PACK CONTENTS	PEGBOARD WITH 16 BEECH PEGS AND 4 DIVIDERS		
MISC	TO BE USED WITH T3 450mm DEEP DRAWERS ONE SIZE ONLY, CAN BE CUT DOWN TO SIZE		
PRODUCT	PEGBOARD ACCESSORIES	94SYLPEG01 TRANSPARENT PEGS (X4) 94SYLPEG02 DIVIDERS (X4) 94SYLPEG03 BOTTLE HOLDER (X1) 94SYLPEG04 BEECH PEGS (X4)	
MATERIAL	VARIOUS MATERIALS		
FINISH/EFFECT	VARIOUS FINISHES		
MISC	TO BE USED WITH T3 450mm DEEP DRAWERS		
PRODUCT	WICKER BASKET	18WICKER03 (TO FIT 400mm CARCASE) 18WICKER02 (TO FIT 500mm CARCASE) 18WICKER01 (TO FIT 600mm CARCASE) (DIMENSION (mm): 450mm DEEP X 225mm HIGH)	
MATERIAL	WICKER AND TIMBER		
FINISH/EFFECT	NATURAL		
PACK CONTENTS	BASKET AND RUNNERS		
MISC	BASKETS SOLD INDIVIDUALLY TO SUIT 15 - 18mm CARCASE		



EXCELLENT cutlery  
tray for T3

# Accessories

From storage solutions to hinges to sinks and taps;  
we source all the accessories



# Hinges

## 95 Degree Soft Close SILENCE Hinge

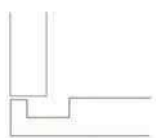
### Clip-On 95 Degree SILENCE Hinges With Integrated Soft Closing Piston

#### Features:

- \ SILENCE hinge with integrated soft closing piston
- \ Opening angle: 95 Degree
- \ Hinge cup depth: 11.5mm
- \ Hinge cup diameter: 35mm
- \ Side adjustment
- \ Height adjustment
- \ Depth adjustment
- \ Passed to FIRA BS 6222-2:1997 Test Level H



#### Cranking 0mm



Made of Steel

95SILENCE001  
95 Degree Hinge  
Integrated Soft Close



CODE	DESCRIPTION
95SILENCE001	95 DEGREE SILENCE HINGE WITH INTEGRATED SOFT CLOSING PISTON
95SILENCE001A	SILENCE HINGE PLATE 15mm
95SILENCE001B	SILENCE HINGE PLATE 18mm
95SILENCE001D	SILENCE EURO PLATE 18mm
95SILENCE001H	SILENCE HINGE CAM PLATE 18mm
95SILENCE001J	SILENCE HINGE CAM EURO PLATE 18mm
95SILENCE100	HINGE CUP COVERS (100PCS PER BAG)
95SILENCE101	HINGE ARM COVERS (100PCS PER BAG)

#### Mounting Details

Mounting details	Mounting Table	Mounting plate drilling distance																								
<p><math>H=14+K-D</math></p>	<table border="1"> <thead> <tr> <th>D \ H \ K</th> <th>3</th> <th>4</th> <th>5</th> <th>6</th> <th>7</th> </tr> </thead> <tbody> <tr> <td>0</td> <td>17</td> <td>18</td> <td>19</td> <td>20</td> <td>21</td> </tr> <tr> <td>2</td> <td>15</td> <td>16</td> <td>17</td> <td>18</td> <td>19</td> </tr> <tr> <td>4</td> <td>13</td> <td>14</td> <td>15</td> <td>16</td> <td>17</td> </tr> </tbody> </table> <p>Note: Use 2 hinges for 4-5kg and 3 hinges for 8-12kg</p>	D \ H \ K	3	4	5	6	7	0	17	18	19	20	21	2	15	16	17	18	19	4	13	14	15	16	17	
D \ H \ K	3	4	5	6	7																					
0	17	18	19	20	21																					
2	15	16	17	18	19																					
4	13	14	15	16	17																					

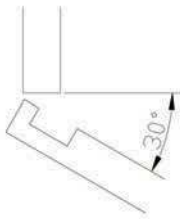
# Hinges

## 30 Degree Soft Close SILENCE Hinge

### Clip-On 30 Degree SILENCE Hinges With Integrated Soft Closing Piston

#### Features

- \ SILENCE hinge with integrated soft closing piston
- \ Hinge cup depth: 11.5mm
- \ Hinge cup diameter: 35mm
- \ Side adjustment
- \ Height adjustment
- \ Depth adjustment
- \ Passed to FIRA BS 6222-2:1997 Test Level H



Made of Steel

95SILENCE002  
30 Degree Hinge  
Integrated Soft Close



CODE	DESCRIPTION
95SILENCE002	30 DEGREE SILENCE HINGE WITH INTEGRATED SOFT CLOSING PISTON
95SILENCE001A	SILENCE HINGE PLATE 15mm
95SILENCE001B	SILENCE HINGE PLATE 18mm
95SILENCE001D	SILENCE EURO PLATE 18mm
95SILENCE001H	SILENCE HINGE CAM PLATE 18mm
95SILENCE001J	SILENCE HINGE CAM EURO PLATE 18mm
95SILENCE100	HINGE CUP COVERS (100PCS PER BAG)
95SILENCE101	HINGE ARM COVERS (100PCS PER BAG)

#### Mounting Details

Mounting details

Mounting Table

H	K			
	4	5	6	7
-2	3.7	4.5/3.5	5.4/3.5	6.3/3.4
0	3.7	2.5/3.5	3.4/3.5	4.3/3.4
2	3.7	0.5/3.5	1.4/3.5	2.3/3.4
4	3.7	-1.5/3.5	-0.5/3.5	1.4/3.4
X				D

Note: Use 2 hinges for 4-5kg and 3 hinges for 8-12kg

Mounting plate drilling distance

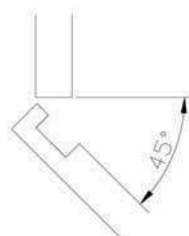
# Hinges

## 45 Degree Soft Close SILENCE Hinge

### Clip-On 45 Degree SILENCE Hinges With Integrated Soft Closing Piston

#### Features:

- ✘ SILENCE hinge with integrated soft closing piston
- ✘ Hinge cup depth: 11.5mm
- ✘ Hinge cup diameter: 35mm
- ✘ Side adjustment
- ✘ Height adjustment
- ✘ Depth adjustment
- ✘ Passed to FIRA BS 6222-2:1997 Test Level H



Made of Steel

95SILENCE003  
45 Degree Hinge  
Integrated Soft Close



CODE	DESCRIPTION
95SILENCE003	45 DEGREE SILENCE HINGE WITH INTEGRATED SOFT CLOSING PISTON
95SILENCE001A	SILENCE HINGE PLATE 15mm
95SILENCE001B	SILENCE HINGE PLATE 18mm
95SILENCE001D	SILENCE EURO PLATE 18mm
95SILENCE001H	SILENCE HINGE CAM PLATE 18mm
95SILENCE001J	SILENCE HINGE CAM EURO PLATE 18mm
95SILENCE100	HINGE CUP COVERS (100PCS PER BAG)
95SILENCE101	HINGE ARM COVERS (100PCS PER BAG)

### Mounting Details

Mounting details

Mounting Table

H	K			
	4	5	6	7
-2	3.1	6.5	7.4	8.3
0	3.1	4.5	5.4	6.3
2	3.1	2.5	3.4	4.3
4	3.1	0.5	1.4	2.3
X				D

Note: Use 2 hinges for 4-5kg and 3 hinges for 8-12kg

Mounting plate drilling distance

# Hinges

## 165 Degree Soft Close SILENCE Hinge

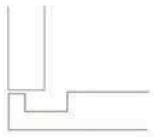
### Clip-On 165 Degree SILENCE Hinges With Integrated Soft Closing Piston

#### Features:

- ✘ SILENCE hinge with integrated soft closing piston
- ✘ Hinge cup depth: 11.5mm
- ✘ Hinge cup diameter: 35mm
- ✘ Side adjustment
- ✘ Height adjustment
- ✘ Depth adjustment
- ✘ Passed to FIRA BS 6222-2:1997 Test Level H



#### Cranking 0mm



Made of Steel

95SILENCE004  
165 Degree Hinge  
Integrated Soft Close



CODE	DESCRIPTION
95SILENCE004	165 DEGREE SILENCE HINGE WITH INTEGRATED SOFT CLOSING PISTON
95SILENCE001A	SILENCE HINGE PLATE 15mm
95SILENCE001B	SILENCE HINGE PLATE 18mm
95SILENCE001D	SILENCE EURO PLATE 18mm
95SILENCE001H	SILENCE HINGE CAM PLATE 18mm
95SILENCE001J	SILENCE HINGE CAM EURO PLATE 18mm
95SILENCE100	HINGE CUP COVERS (100PCS PER BAG)
95SILENCE101	HINGE ARM COVERS (100PCS PER BAG)

#### Mounting Details

Mounting details

$H=14+K-D$

Mounting Table

$\frac{D}{H} \backslash K$	3	4	5	6	7
0	17	18	19	20	21
2	15	16	17	18	19
4	13	14	15	16	17

Note: Use 2 hinges for 4-5kg and 3 hinges for 8-12kg

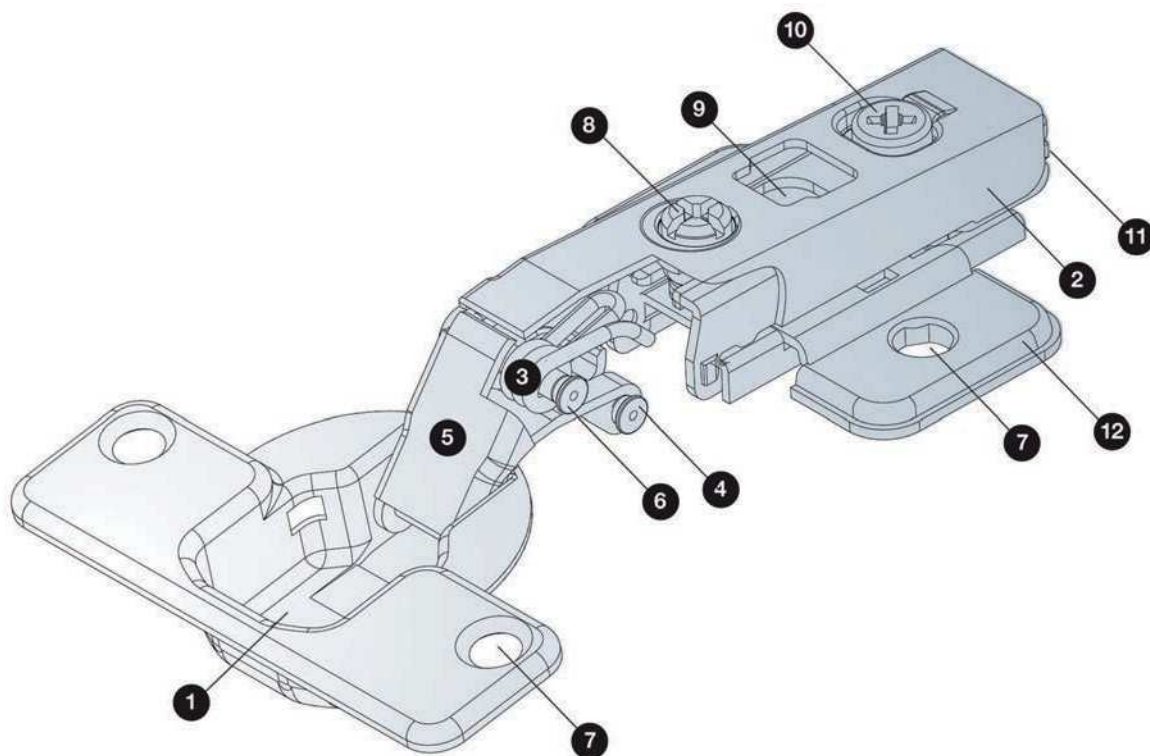
Mounting plate drilling distance

# Hinges

## TITUS + LAMA Hinge Information

### Concealed Hinges Information

#### Concealed Hinge Parts



- |    |                         |     |                                |
|----|-------------------------|-----|--------------------------------|
| 1. | Hinge cup               | 8.  | Side adjustment screw          |
| 2. | Hinge arm               | 9.  | Height cam adjuster            |
| 3. | Closing mechanism       | 10. | Depth cam adjuster             |
| 4. | Inner link              | 11. | ST time-saving mounting system |
| 5. | Outer link              | 12. | Mounting plate                 |
| 6. | Axis                    |     |                                |
| 7. | Holes for fixing screws |     |                                |

Note: The drawing shows the ST plus hinge on a cam adjustable mounting plate

### Concealed Hinges Information

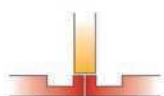
### How to Achieve the Desired Door Overlay?

#### By Choosing the Hinge of Appropriate Cranking

Concealed hinges with specific hinge arms are available for different door overlays. The most common overlays are:



1. Full overlay  
Use a hinge with 0mm cranking



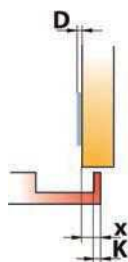
2. Half overlay for double doors  
Use a hinge with 9mm cranking



3. Insert door  
Use a hinge with 15mm, 16mm or 18mm cranking

#### By Choosing the Mounting Plates of Appropriate Thickness

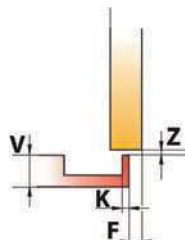
To achieve the desired overlay (X) while using a determined drilling distance (K), a mounting plate of appropriate thickness (D) must be chosen from the enclosed table



X	4	5	6	7	8	9
D	3	2	0			
K	4		2	1	0	
	5		3	2	1	0 D

#### Door Clearance and Gap

The door clearance ( $F > F_{min}$ ) and gap (Z) represent the minimal necessary space needed for the correct opening and closing of the door. The minimal required values depend upon the cup drilling distance (K), door thickness (V) and type of hinge. The minimum clearance scale can be found in the catalogue. When using on double doors with one party-wall the door clearance must be twice as large ( $F > 2F_{min}$ ).



V	16	17	18	19	20	22
3	0.3	0.5	0.7	1.0	1.3	1.7
4	0.3	0.7	0.3	0.5	0.7	3.0
5	1.0		1.7	3.5	3.0	3.1

Gap Z=0



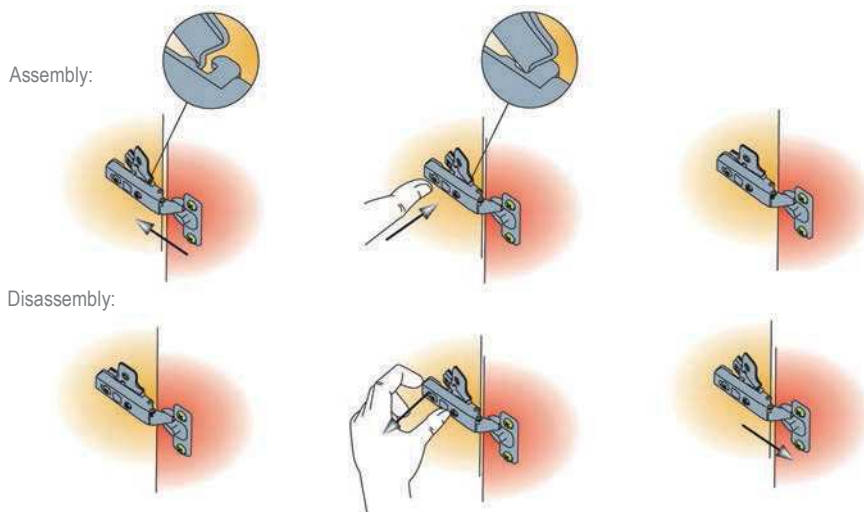
### Concealed Hinges Information

### How to Assemble the Hinge and the Mounting Plate?

#### ST Time Saving System

- \* ST free series
- \* ST plus series
- \* ST series

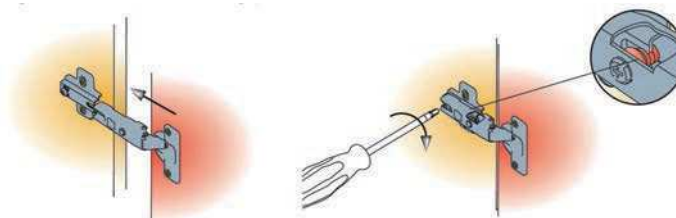
The door is assembled on the cabinet side simply by fixing the two hooks under the hinge arm on the outer part of the mounting plate and pressing gently on the rear part of the hinge arm. For disassembly press the button on the rear of the hinge arm.



#### Slide On System

- \* Basic series

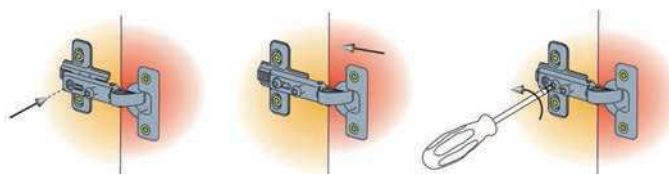
The hinge is assembled by sliding the hinge arm over the mounting plate. The lower part of the horizontal set up screw must fit correctly into the groove on the mounting plate. After adjusting the door depth, the mounting procedure is finished by tightening the fixing screw.



#### Key Hole System

- \* Miniprimat series
- \* Special Hinges

The hinge is assembled on the mounting plate by inserting the fixing screw on the appropriate hole on the hinge arm. After adjusting the door depth, the mounting procedure is finished by tightening the fixing screw.





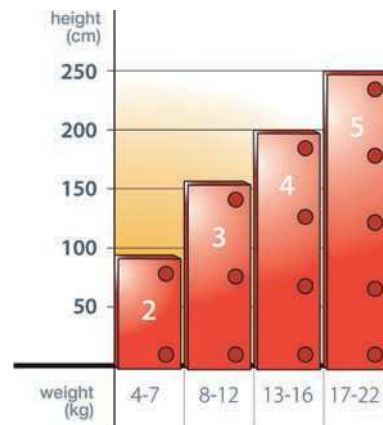
### Concealed Hinges Information

### How Many Hinges Per Door?

#### Concealed Hinges with Ø35mm Hinge Cup Diameter

- \* ST free series
- \* ST plus series
- \* ST series
- \* Basic series
- \* Special hinges

Check the enclosed specifications for the number of required hinges per door by considering both height and weight. In case of doubt please contact Lama or your local distributor.



# Hinges

## TITUS + LAMA Hinge Information

### Concealed Hinges Information

### Side Adjustment

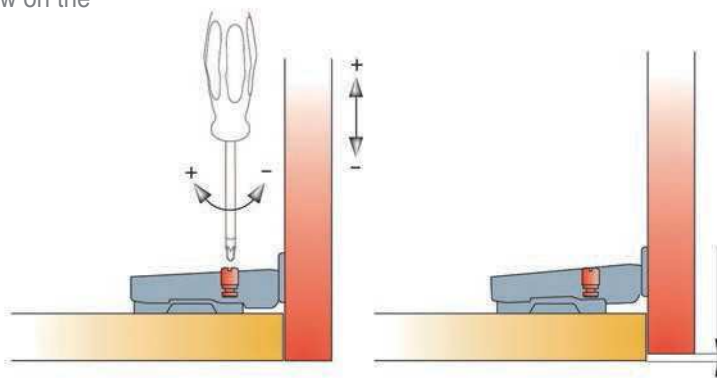
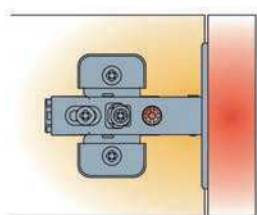


The side adjustment is indispensable to align the door with the side of the cabinet thus allowing perfect lifetime opening and closing of the door.

#### By Rotating the Appropriate Screws

- \* ST free series
- \* ST plus series
- \* ST series
- \* Basic series

The side adjustment is made by rotating the appropriate screw on the hinge arm.



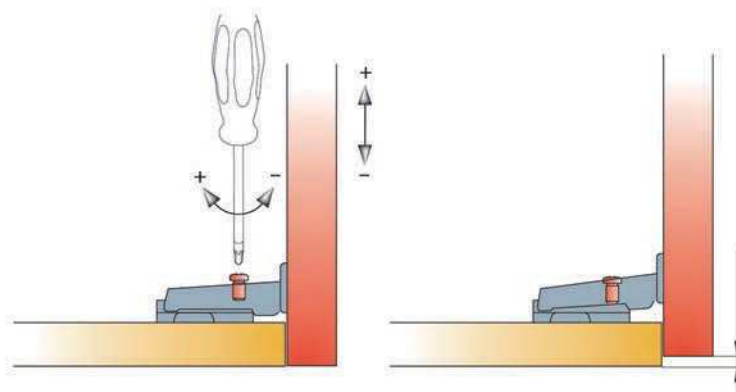
#### By Temporarily Releasing the Fixing Screw

- \* Miniprimat series
- \* Wide angle hinge

For side adjustment:

1. Release the fixing screw
2. Make the necessary adjustment by rotating the appropriate screw
3. Tighten the fixing screw

Without releasing the fixing screw no side adjustment is possible.



### Concealed Hinges Information

### Height Adjustment

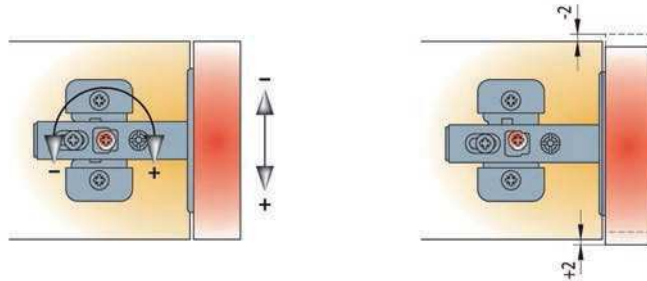


Height adjustment is necessary to achieve perfect vertical door position that emphasises the accuracy of manufacture.

#### By Rotating the Cam Adjuster

\* ST free, ST plus and ST series with cam adjustable mounting plate

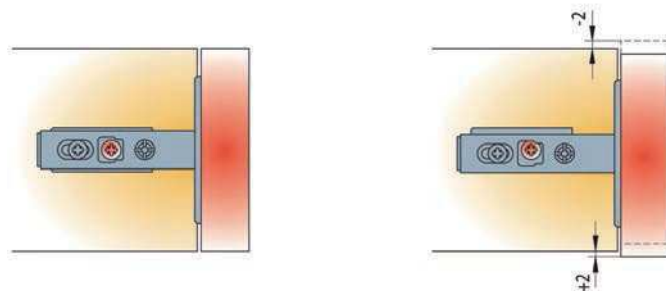
The height adjustment is made by rotating the cam adjuster on the mounting plate.



#### Manual Adjustment by Releasing the Adjustment Screw

\* ST free, ST plus and ST series with horizontal mounting plate

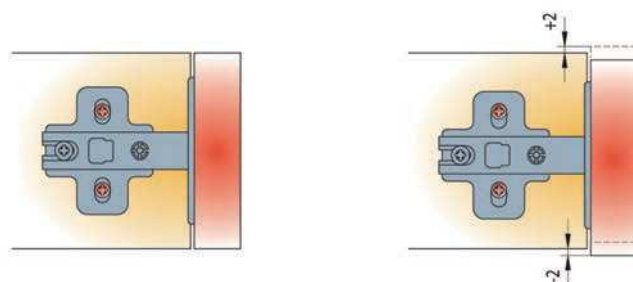
For height adjustment the adjustment screw has to be temporarily released during manual adjustment.



#### By Releasing the Fixing Screws of Mounting Plate

\* ST free, ST plus and ST series with cam adjustable cruciform mounting plates  
 \* Basic series  
 \* Miniprimat series  
 \* Wide angle hinge

For height adjustment the two mounting plate fixing screws have to be temporarily released while making the adjustment manual.



# Hinges

## TITUS + LAMA Hinge Information

### Concealed Hinges Information

### Depth Adjustment

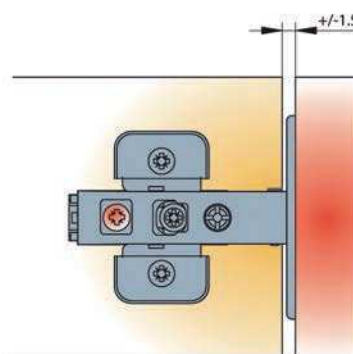
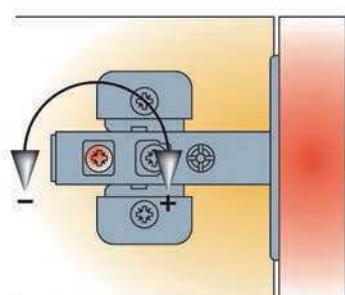


The system enables easy adjustment of the door depth to assure that the door fits well on the side of the cabinet.

#### By Rotating the Cam Adjuster

- \* ST free series
- \* ST plus series

The adjustment is made by rotating the cam adjuster on the hinge arm.

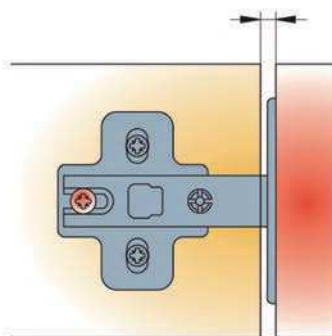
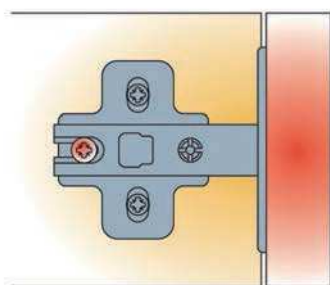


#### By Rotating the Cam Adjuster

- \* ST series
- \* Basic series
- \* Miniprimat

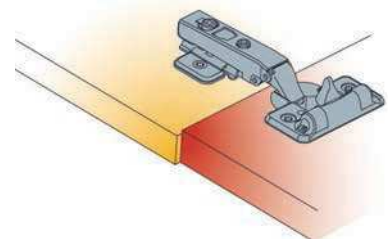
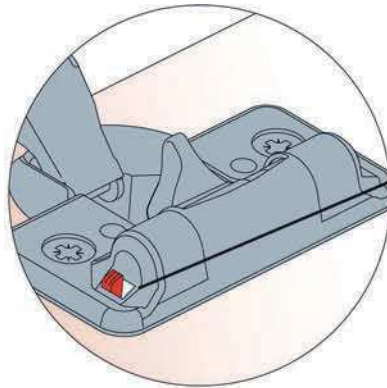
The depth adjustment is made by temporarily releasing the adjustment screw (ST series) or fixing screw

(Basic series). After the adjustment is made the screw has to be re-tightened,



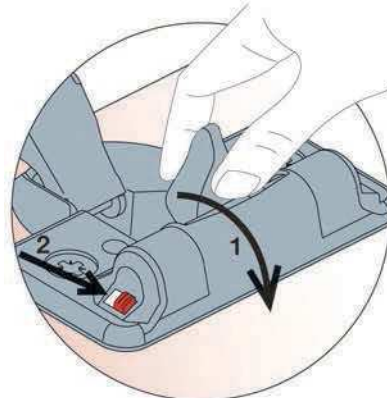
### Adjustment Instructions ST-i Hinge with Integrated damping

1. The damping force of ST-i hinge is factory pre-set to the maximum damping value.



The damping switch in a pre-set 'ON' position

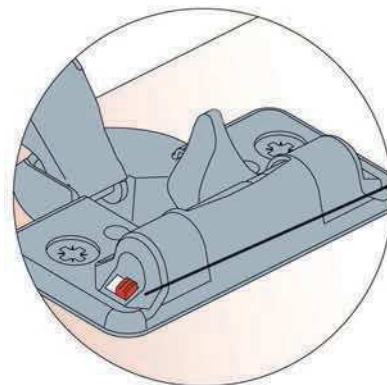
2. To decrease the damping force, slide the damping switch off.



1 Lift the damping activator

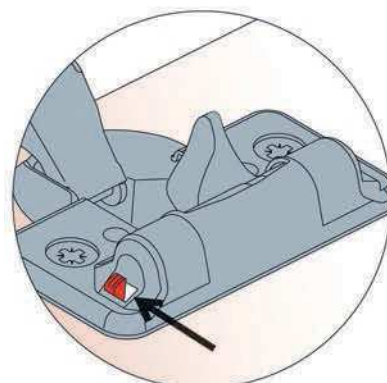
2 Slide the damping switch to 'OFF' position

3. When the damping switch is in the 'OFF' position, the ST-i hinge uses 33% of its damping force.



The damping switch in 'OFF' position

4. To increase the damping force again, slide the damping switch on.

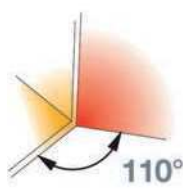
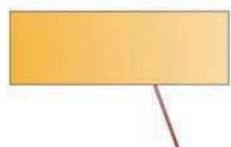
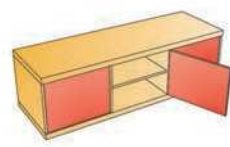



Slide the damping switch to 'ON' position

# Hinges

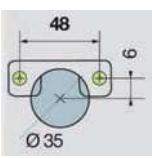
## ST-i 110 Degree Soft Close TITUS + LAMA Hinge

ST-i 110 ST-i 110 Degree Soft Close Hinge








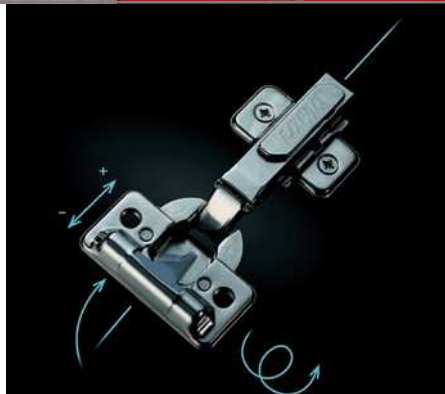
Product Code  
95LAMA60  
48MM



Cranking  
0mm




Made of steel




Features:


- \ Opening angle: 110°
- \ Drilling diameter for hinge cup: 35mm
- \ Drilling depth: 11.5mm
- \ Hinge on plate mounting system: ST-i
- \ Damping integrated in the hinge cup
- \ Easy assembly and disassembly
- \ Adjustment of the damping force



Side adjustment  
+3 / -1mm



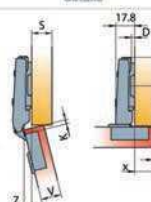
Height adjustment  
+2 / -2mm




Depth adjustment  
+5 / -1.5mm

### Mounting Details

Mounting details



Mounting plate drilling distance



Mounting plate thickness table

x	13	14	15	16	17	18
3	3	2	1	0		
K	4	3	2	1	0	
	5		3	2	1	0 D

Drawings show application on D=0mm thick mounting plate



# Hinges

## Slide-On 45° TITUS + LAMA Hinge

### Basic 110 / 45° Slide-On 45 Degree Hinge






Product Code  
95LAMA05

48MM



**Cranking**




Made of steel and plastic

**Features:**

- √ Opening angle: 110°
- √ Drilling diameter for hinge cup: 35mm
- √ Drilling depth: 11.5mm
- √ Hinge on plate mounting system: Slide-on



Side adjustment  
+3 / -0.5mm

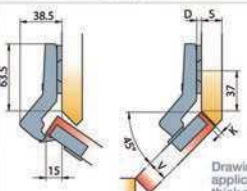
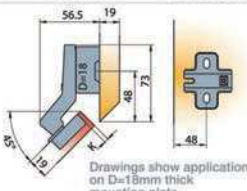


Height adjustment  
+2 / -2mm



Depth adjustment  
+4 / -0mm

### Mounting Details


Mounting details	Mounting plate drilling distance	Mounting plate thickness table						
 <p>Drawings show application on D=0mm thick mounting plate</p>	 <p>Drawings show application on D=18mm thick mounting plate</p>	<table border="1" style="margin: auto; border-collapse: collapse;"> <tr> <td style="padding: 5px;">3</td> <td style="padding: 5px;">0</td> </tr> <tr> <td style="padding: 5px;">K</td> <td style="padding: 5px;">4 1</td> </tr> <tr> <td style="padding: 5px;">5</td> <td style="padding: 5px;">2 D</td> </tr> </table>	3	0	K	4 1	5	2 D
3	0							
K	4 1							
5	2 D							




# Hinges

## Clip-On 45° TITUS + LAMA Hinge

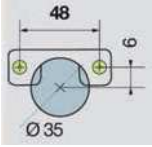
St 110 / 45° Clip-On 45 Degree Hinge




Product Code  
95LAMA08


48MM



**Cranking**




Made of steel and plastic




**Features:**


- √ Opening angle: 110°
- √ Drilling diameter for hinge cup: 35mm
- √ Drilling depth: 11.5mm
- √ Hinge on plate mounting system: ST



Side adjustment  
+3 / -1mm

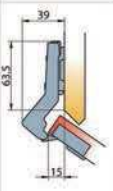

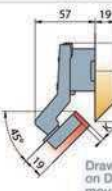



Height adjustment  
+2 / -2mm



Depth adjustment  
+5 / -1.5mm

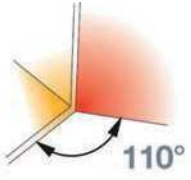
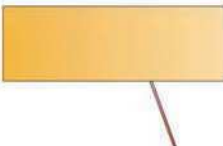
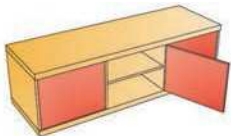
### Mounting Details


Mounting details	Mounting plate drilling distance	Mounting details	Mounting plate drilling distance	Mounting plate thickness table								
 <p>Drawings show application on D=0mm thick mounting plate</p>		 <p>Drawings show application on D=18mm thick mounting plate</p>		<table border="1" style="border-collapse: collapse;"> <tr> <td style="padding: 5px;">K</td> <td style="padding: 5px;">3</td> <td style="padding: 5px;">4</td> <td style="padding: 5px;">5</td> </tr> <tr> <td style="padding: 5px;">D</td> <td style="padding: 5px;">0</td> <td style="padding: 5px;">1</td> <td style="padding: 5px;">2</td> </tr> </table>	K	3	4	5	D	0	1	2
K	3	4	5									
D	0	1	2									

# Hinges

## Basic 110° TITUS + LAMA Hinge

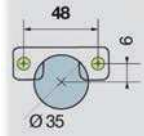
### Basic 110° Slide-On 110 Degree Hinge




Product Code  
95LAMA01


48MM



Cranking




0mm




Made of steel

Features:


- √ Opening angle: 110°
- √ Drilling diameter for hinge cup: 35mm
- √ Drilling depth: 11.5mm
- √ Hinge on plate mounting system: Slide-on



Side adjustment  
+3 / -0.5mm



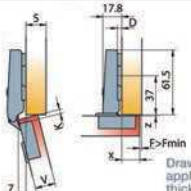
Height adjustment  
+2 / -2mm




Depth adjustment  
+4 / -0mm

### Mounting Details

Mounting details



Mounting plate drilling distance



Mounting plate thickness table

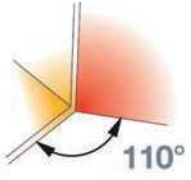
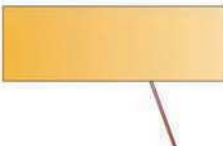
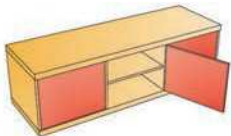
x	10	11	12	13	14	15	16	17	18
3	6	5	4	3	2	1	0		
K	4	6	5	4	3	2	1	0	
5		6	5	4	3	2	1	0	D


Drawings show application on D=0mm thick mounting plate

# Hinges

## ST Plus 110° TITUS + LAMA Hinge

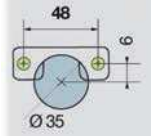
ST 110° Clip-On 110 Degree Hinge




Product Code  
95LAMA02

48MM



**Cranking**




**0mm**



Made of steel

**Features:**

- √ Opening angle: 110°
- √ Drilling diameter for hinge cup: 35mm
- √ Drilling depth: 11.5mm
- √ Hinge on plate mounting system: ST

- \* Quick and practical assembly of the hinge on the mounting plate by pressing gently on the rear part of the hinge arm
- \* One button disassembly

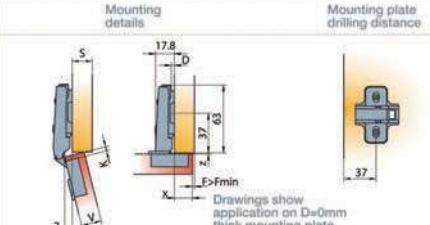
Side adjustment  
+3 / -1mm

Height adjustment  
+2 / -2mm

Depth adjustment  
+5 / -1.5mm

### Mounting Details

**Mounting details**



Drawings show application on D=0mm thick mounting plate

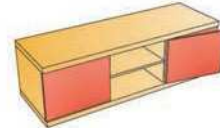
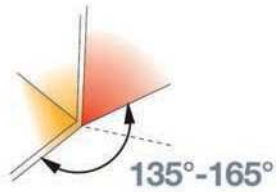
**Mounting plate thickness table**

	13	14	15	16	17	18
<b>x</b>	3	2	1	0		
<b>K</b>	4	3	2	1	0	
	5		3	2	1	0 <b>D</b>

# Hinges

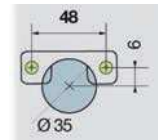
## ST 170° TITUS + LAMA Hinge

### ST 170° Clip-On 170 Degree Hinge



Product Code  
95LAMA03

48MM



Cranking  
0mm

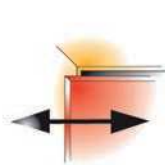


Made of steel and zinc

Features:

- √ Opening angle: 135°-165°
- √ Drilling diameter for hinge cup: 35mm
- √ Drilling depth: 12mm
- √ Hinge on plate mounting system: ST

- \* Enables better accessibility into cabinet interior due to the wider opening angle
- \* Opening angle can be easily adjusted by rotating the appropriate screw on the hinge arm



Side adjustment  
+3 / -1mm



Height adjustment  
+2 / -2mm



Depth adjustment  
+5 / -1.5mm

### Mounting Details

**Mounting details**

Drawings show application on D=60mm mounting plate

In 90° position the door is only 1.4mm distant from side panel

**Mounting plate drilling distance**

**Mounting plate thickness table**

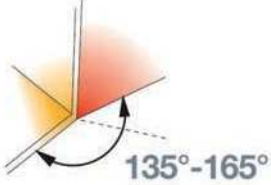
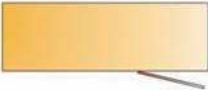
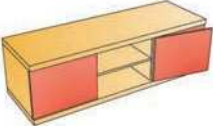
X	10	11	12	13	14	15	16	17	18	19	20
3	6	5	4	3	2	1	0				
K	4	6	5	4	3	2	1	0			
5			6	5	4	3	2	1	0		
6				6	5	4	3	2	1	0	
7					6	5	4	3	2	1	0

D


# Hinges

## Basic 170° TITUS + LAMA Hinge

Basic 170° Slide-On 170 Degree Hinge

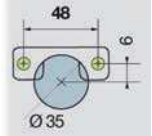




---




Product Code  
95LAMA04

48MM




---

Cranking



Made of steel and zinc




---

Features:


- √ Opening angle: 135°-165°
- √ Drilling diameter for hinge cup: 35mm
- √ Drilling depth: 12mm
- √ Hinge on plate mounting system: Slide-on

\* Enables better accessibility into cabinet interior due to the wider opening angle


\* Opening angle can be easily adjusted by rotating the appropriate screw on the hinge arm



Side adjustment  
+3 / -0.5mm



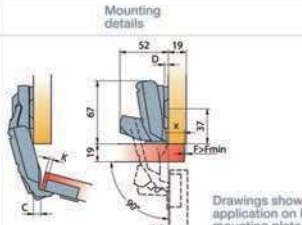
Height adjustment  
+2 / -2mm



Depth adjustment  
+4 / -0mm

### Mounting Details

Mounting details



Drawings show application on D=6mm mounting plate

Mounting plate drilling distance



Mounting plate thickness table

X	10	11	12	13	14	15	16	17	18	19	20
3	6	5	4	3	2	1	0				
K	4	6	5	4	3	2	1	0			
	5		6	5	4	3	2	1	0		
	6			6	5	4	3	2	1	0	
	7				6	5	4	3	2	1	0



# Hinges

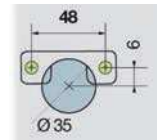
## Pre-Cut Corner TITUS + LAMA Hinge

### Basic For Pie-Cut Corner Cabinet



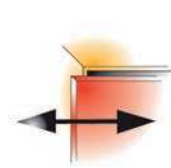
Product Code  
95LAMA14

48MM



#### Features:

- \ Drilling diameter for hinge cup: 35mm
- \ Drilling depth: 11.5mm
- \ Hinge on plate mounting system: Slide-on



Side adjustment  
+3 / -1mm



Height adjustment  
+2 / -2mm

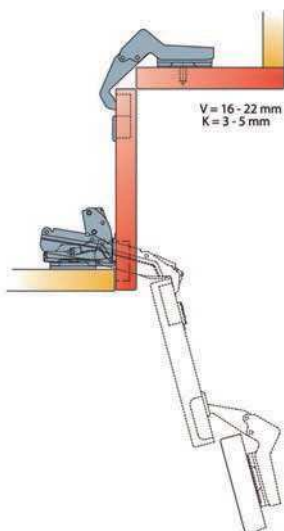


Depth adjustment  
+5 / -1.5mm

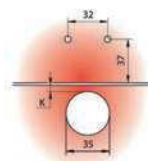
- \* Standard drilling for hinge and mounting plate
- \* Hinge integrated adjustment

### Mounting Details / Drilling Details / Adjustments

#### Mounting Details

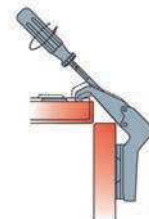


#### Drilling Details

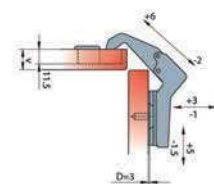


Any basic mounting plate of thickness.  
D=0 can be used.

#### Adjustments



The diagonal adjustment is made by rotating the appropriate screw as shown on the drawing.



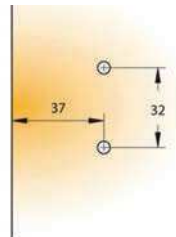
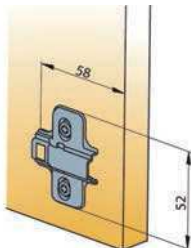
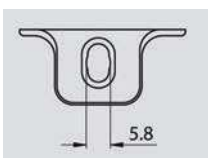
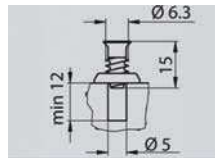


# Hinges

## TITUS + LAMA ST Mounting Plates

ST Mounting Plates

For ST Free, ST Plus  
& ST Concealed Hinges

Steel mounting plates		Drilling Pattern	Dimensions
 <p>Height adjustment + / -2mm</p>	 <p>Made of steel</p>		
CODE	DESCRIPTION	<p>Screw on plate 95LAMA02A / 95LAMA02B</p> 	<p>Euro screw plate 95LAMA020C / 95LAMA02D</p> 
95LAMA02A	SCREW ON CLIP PLATE 15mm		
95LAMA02B	SCREW ON CLIP PLATE 18mm		
95LAMA02C	EURO SCREW CLIP PLATE 15mm		
95LAMA02D	EURO SCREW CLIP PLATE 18mm		

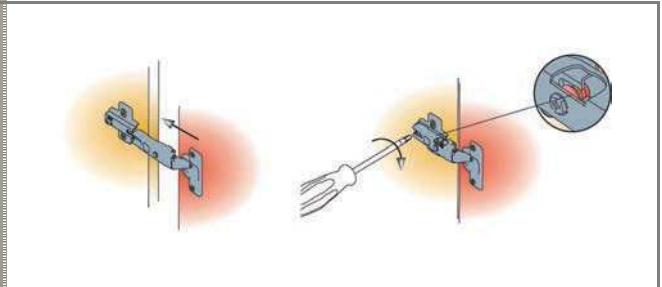


# Hinges

## Basic TITUS + LAMA Mounting Plates

Basic Mounting Plates

For Basic Concealed Hinges

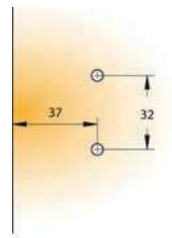


Steel mounting plates

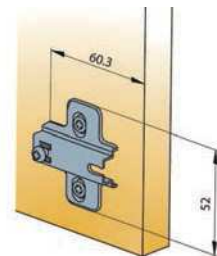


Made of steel

Drilling Pattern

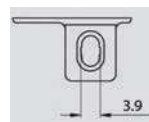


Dimensions

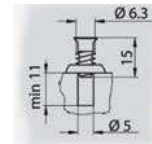


CODE	DESCRIPTION
95LAMA01A	SLIDE ON PLATE 15mm
95LAMA01B	SLIDE ON PLATE 18mm
95LAMA01C	EURO SLIDE ON PLATE 15mm
95LAMA01D	EURO SLIDE ON PLATE 18mm

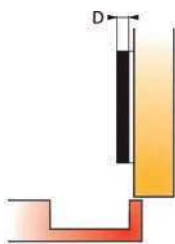
Slide on plate  
95LAMA01A / 95LAMA01B



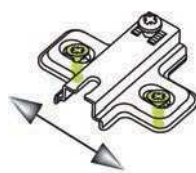
Euro slide on plate  
95LAMA01C / 95LAMA01D



### Details



Mounting plate thickness

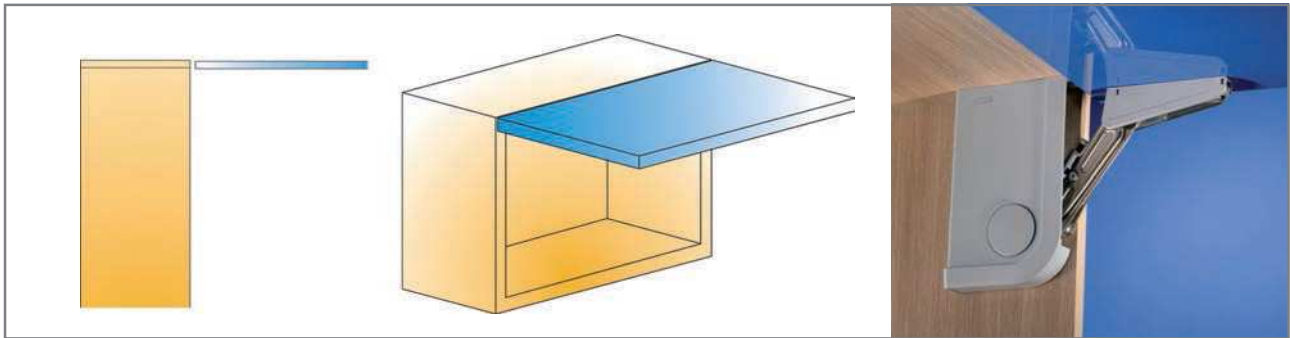


Height adjustment + / -2mm

# Door Lift Mechanisms

## Huwilift Free Lift

### Huwilift Free SOFT CLOSE Single Door Lift System



#### Opening Angle 100°



One set consists of:

- ✎ 2 pcs Huwilift - Free mechanism fittings (left, right)
- ✎ 2 pcs cover caps for fitting
- ✎ 2 pcs Mounting brackets
- ✎ 2 pcs cover caps for mounting bracket

Made of steel zinc and plastic

#### Accessories Included in a Set



Fixing plate for door

#### Features:

- ✎ With Soft Close
- ✎ No hinges required
- ✎ 100 degree opening angle
- ✎ One system for a large variety of door weights
- ✎ Secure support of door in any position
- ✎ Opening with one finger force
- ✎ Easy clip-on mounting procedure
- ✎ Damping way can be adjusted by turning of adjustment screw on damper

CODE	DOOR SIZE	WEIGHT CAPACITY
95HUWIL003	400mm (h) up to 600mm(w)	UP TO 5KG
95HUWIL004	400mm (h) up to 1000mm (w)	UP TO 7.6KG
95HUWIL004	500mm (h) up to 600mm (w)	UP TO 7.6KG
95HUWIL005	500mm (h) up to 1000mm (w)	UP TO 8.2KG
95HUWIL006	500mm (h) up to 2000mm (w)	UP TO 17KG

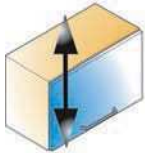
# Door Lift Mechanisms

## Huwilift Free Lift

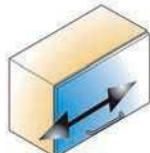
Huwilift Free SOFT CLOSE Single Door Lift System

Mounting Procedure  
& Adjustment Details

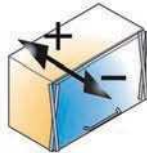
### Adjustment



Height adjustment  
+1/-1,5mm



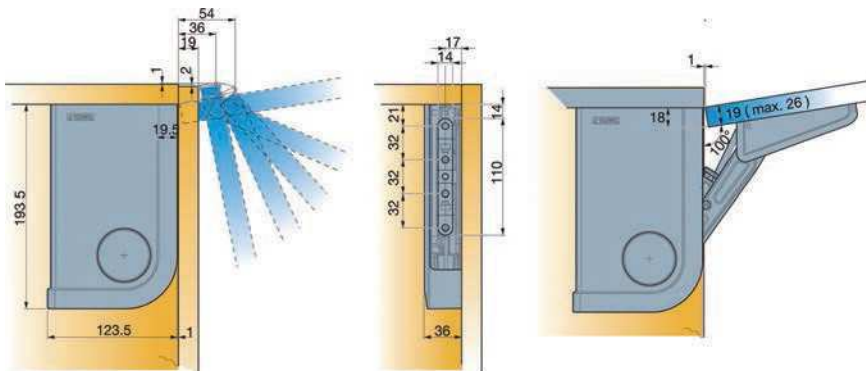
Side adjustment  
+1/-1,5mm



Inclination adjustment

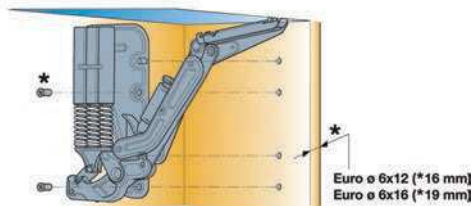
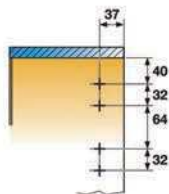


Adjustment of  
sustaining capacity

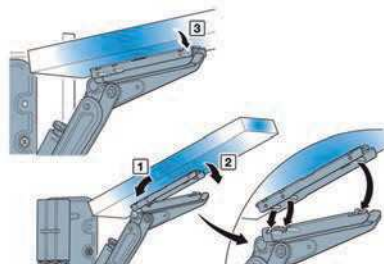
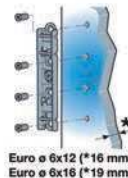
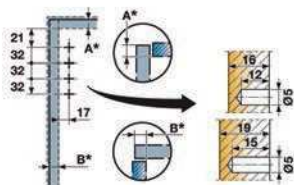


For further explanations > see operating instructions included in the set

### Cabinet Side



### Wooden Door

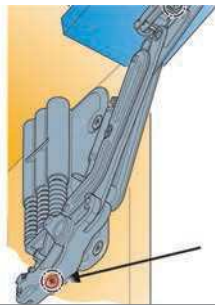


# Door Lift Mechanisms

## Huwilift Free Lift

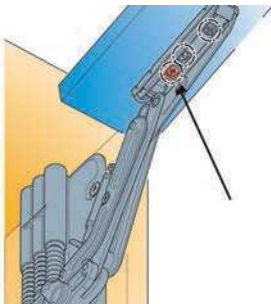
### Huwilift Free SOFT CLOSE Single Door Lift System

#### Adjustment of Sustaining Capacity



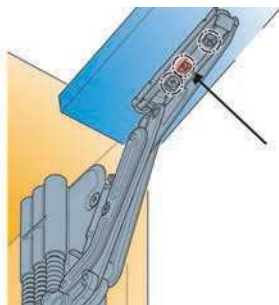
The adjustment for the door weight is achieved by turning the hexagonal screw nut on the bottom of the mechanism (see the drawing).

#### Height Adjustment



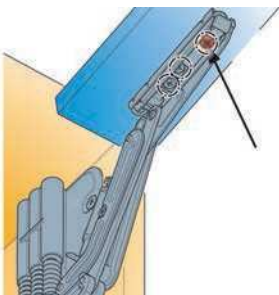
The height adjustment is achieved by rotating the appropriate screw on the fixing bracket (see the drawing).

#### Side Adjustment



The height adjustment is achieved by rotating the appropriate screw on the fixing bracket (see the drawing).

#### Inclination Adjustment

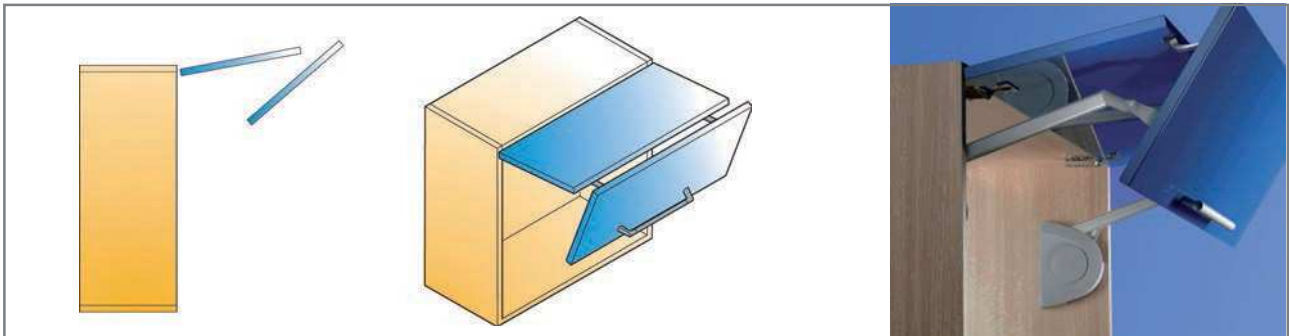


Adjust the height of the cabinet door with the cam screw on the fitting (see the drawing).

# Door Lift Mechanisms

## Huwilift Senso

### Huwilift Senso Bi Fold Door Lift System



#### Lifting Device



Made of steel and plastic

One set consists of

- \ 2 pcs Senso mechanism & housing cover
- \ 2 pcs base plate
- \ 2 flap supports for wooden door
- \ 2 pcs middle hinge
- \ 4 pcs screws M5 x 16

#### Accessories Included in a Set



Base fixing plate.  
Made of zinc.



Middle Hinge



Flap support. Made of plastic.

#### Features:

- \ For bifold doors
- \ 'Touch control' feature for secure support of door in any position
- \ Soft and safe closing of the door
- \ Smooth operation and ergonomic sequence motions on the hinge arm
- \ Minimal footprint of hardware accommodates usage in shallow cabinet depths
- \ Time saving installation and adjustment procedure
- \ One system for a large variety of door weights
- \ Adjustable end-stop

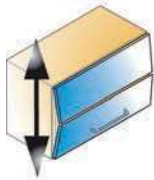
CODE	DOOR SIZE	WEIGHT CAPACITY
95HUWIL001	355mm (h) up to 600mm(w)	5-9KG
95HUWIL002	355mm (h) up to 1000mm (w)	7-15KG

# Door Lift Mechanisms

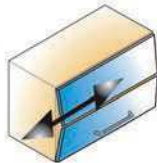
## Huwilift Senso

### Huwilift Senso Bi Fold Door Lift System

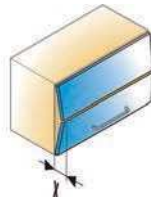
#### Adjustment Details



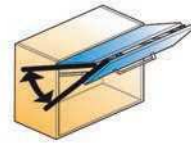
Height adjustment  
+3/-3mm



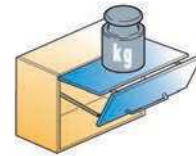
Side adjustment  
+2/-2mm



Pull-in adjustment

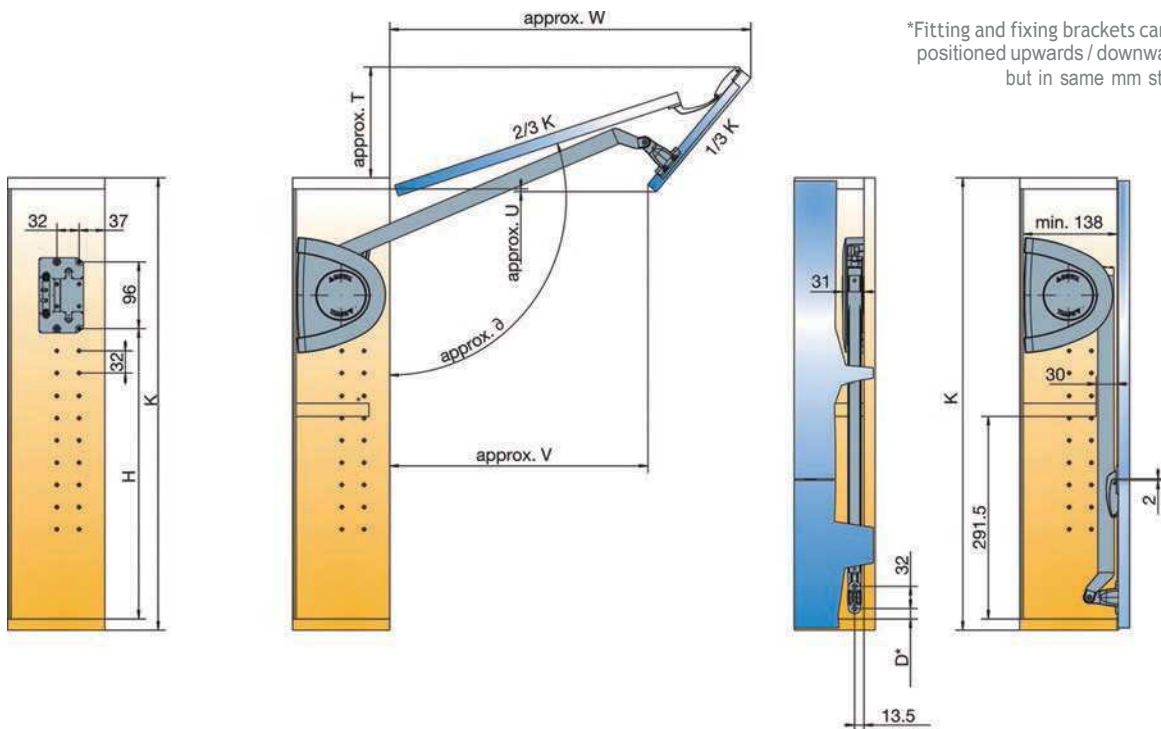


Door opening  
position adjustment



Ajustment of  
sustaining capacity

#### Mounting Details



#### Mounting Table

K	d	D	H	R	T	U	V	W
650 (640-700)	101°	15	417	21	105	76	410	530
720 (700-780)	103°	41.5	495	47.5	129	78	451	571

For further explanations > see operating instructions included in the set

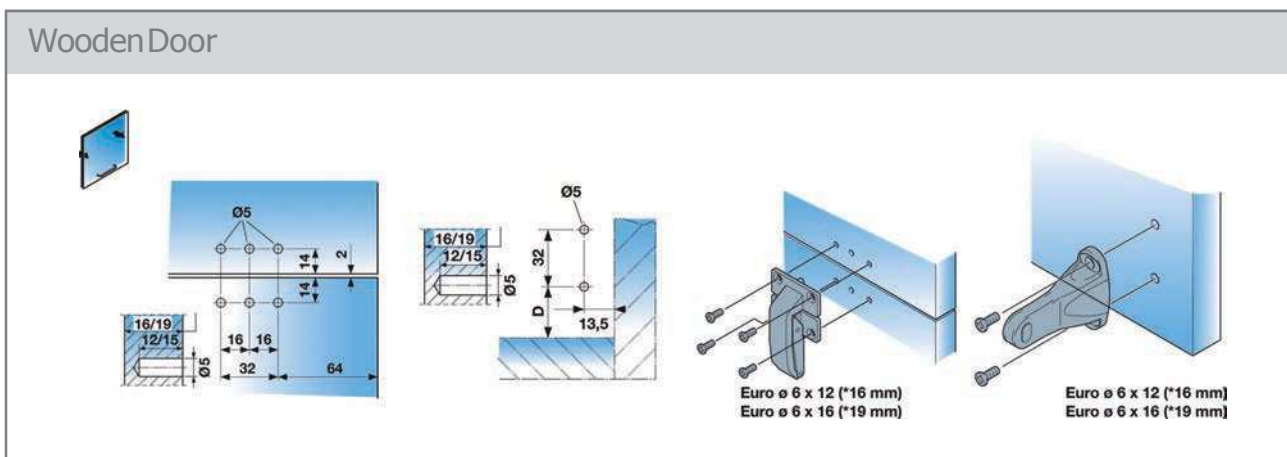
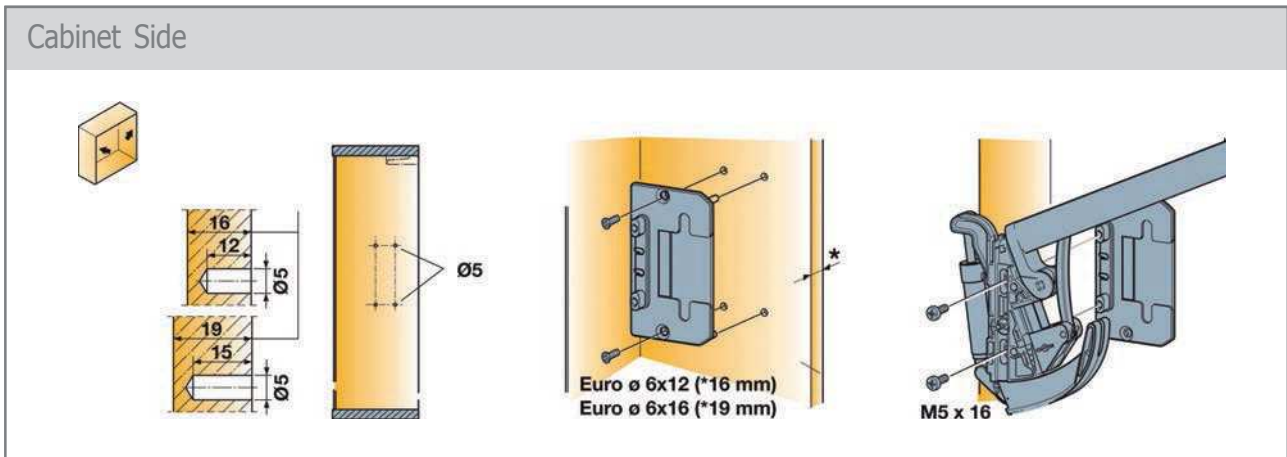


# Door Lift Mechanisms

## Huwilift Senso

Huwilift Senso Bi Fold Door Lift System

Mounting Procedure  
& Adjustment Details



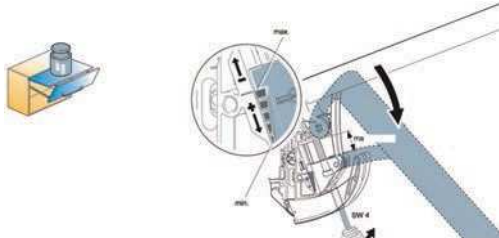


# Door Lift Mechanisms

## Huwilift Senso

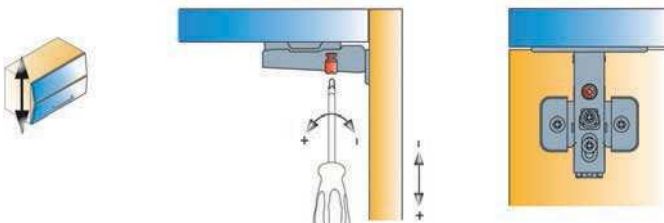
### Huwilift Senso Bi Fold Door Lift System

#### Adjustment of Sustaining Capacity



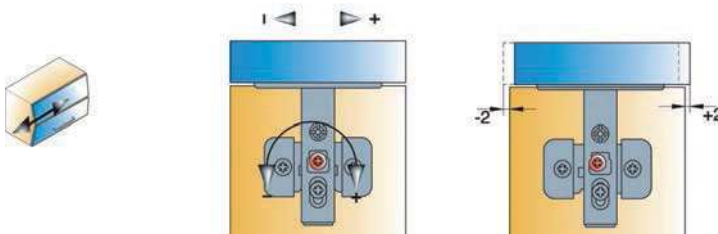
The adjustment for the door weight is achieved through the hexagonal screwnut (see scale). To increase or decrease the sustaining capacity, pull the lifting arm downwards and adjust as shown.

#### Height Adjustment



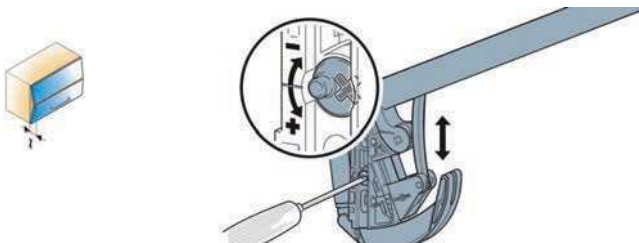
The height adjustment is achieved by rotating the appropriate screw on the hinge arm. The drawing shows an example of Lama ST hinge.

#### Side Adjustment



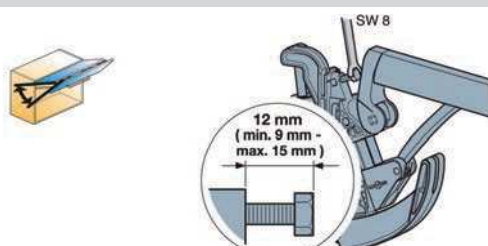
The side adjustment is achieved by rotating the cam adjuster on the mounting plate. The drawing shows an example of Lama ST things.

#### Pull-In Adjustment



The adjustment of the alignment of the central part of the door is achieved by turning the cam screw inside the mechanism.

#### Door Opening Position Adjustment



The adjustment for the door opening position, pre-set by factory is achieved through the stop screw. To increase or decrease the opening position of an application, pull the fitting arm slightly downwards and adjust as shown.

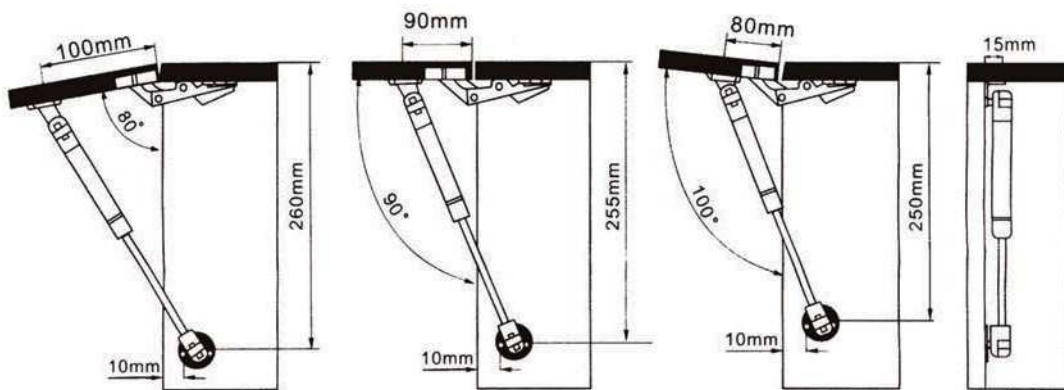
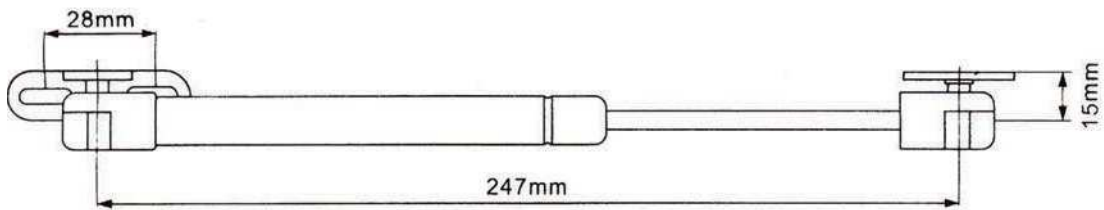
# Door Lift Mechanisms

## Classic Gas Lift

### Classic Gas Lift 60N / 80N / 100N Gas Lift



CODE	DOOR SIZE	WEIGHT CAPACITY
15GAS01	355mm (h) up to 596mm (w)	Up to 6kg (60N)
15GAS02*	283mm (h) up to 996mm (w)	Up to 8kg (80N)
15GAS03	355mm (h) up to 996mm (w)	Up to 10kg (100N)



Installation drawing for pneumatic support.  
Suitable for wooden and aluminium frame doors.

Note: Please do not use lubricating or any other oils as it can interrupt the reaction of the gas lift mechanism.  
\*Drawing above shown for 15GAS01 and 15GAS03 only and not 15GAS02.

# Wirework

## Dynamic Soft Closing Wirework

Fitting instructions for the Dynamic wirework are available at the following website:

[www.craftsmanltd.co.uk/wirework.pdf](http://www.craftsmanltd.co.uk/wirework.pdf)

### 150mm Pull Out Base



#### Features:

- \ Cabinet width: 150mm
- \ Minimum internal cabinet depth: 450mm
- \ Soft close mechanism
- \ 25kg loading capacity

CODE	DESCRIPTION
69DYN001	150 PULL OUT BASE

Note: Fitting instructions supplied with product

### 150mm Pull Out Towel Rail



#### Features:

- \ Cabinet width: 150mm
- \ Minimum internal cabinet depth: 450mm
- \ Soft close mechanism
- \ 25kg loading capacity

CODE	DESCRIPTION
69DYN015	150 PULL OUT TOWEL RAIL

Note: Fitting instructions supplied with product

### 300mm Pull Out Base



#### Features:

- \ Cabinet width: 300mm
- \ Minimum internal cabinet depth: 450mm
- \ Soft close mechanism
- \ 25kg loading capacity

CODE	DESCRIPTION
69DYN002	300 PULL OUT BASE

Note: Fitting instructions supplied with product

Fitting instructions for the Dynamic wirework are available at the following website:

[www.craftsmanltd.co.uk/wirework.pdf](http://www.craftsmanltd.co.uk/wirework.pdf)

# Wirework

## Dynamic & Deluxe Wirework

### Genius - Pull Out Shelves with GREY Anti-Slip Trays



Please note:  
The base is  
GREY and not  
white as shown  
in the image

#### Features:

- ✘ Access hard to reach areas without unnecessary bending or exertion
- ✘ Patented system with quick & easy installation
- ✘ Anti-slip grey shelves with chrome rails
- ✘ Each shelf moves independently
- ✘ Shelf height: 60mm

Cabinet	Door	Depth	Width	Height	Capacity
900/1000mm	450/500	485	865	645-680	15kg/shelf

CODE	DESCRIPTION
69DYN019	LH GENIUS-LH DOOR/RH BLANK
69DYN018	RH GENIUS-RH DOOR/LH BLANK

Note: Fitting instructions supplied with product

### Dynamic Corner Unit - Includes Chrome Wire Baskets



**NEW & IMPROVED**  
Now Includes a new integrated bumper  
for improved soft closing action

#### Features:

- ✘ Patented gas assisted piston to enable unique soft close and easy open action
- ✘ Easy installation - only 3 moving parts
- ✘ 35kg loading capacity divided between 4 baskets
- ✘ Minimum door size: 450mm

Cabinet	Depth	Width	Height	Capacity
900mm	485/560	860	640-800	35kg

CODE	DESCRIPTION
69DYN020	LH UNIT-LH DOOR/RH BLANK
69DYN021	RH UNIT-RH DOOR/LH BLANK

Note: Fitting instructions supplied with product  
When fitting this product on Lucente Handleless doors please ensure that the door bracket is fitted away from the handle groove to avoid the screw holes showing through.

### DELUXE Corner Unit - Includes Baskets With a Solid GREY Base



Please note: The base is GREY and not  
white as shown in the image

**NEW & IMPROVED**  
Now Includes a new integrated bumper for improved soft closing action

#### Features:

- ✘ Patented gas assisted piston to enable unique soft close and easy open action
- ✘ Easy installation - only 3 moving parts
- ✘ 35kg loading capacity divided between 4 baskets
- ✘ Minimum door size: 450mm
- ✘ Baskets have a GREY chipboard base with a complimentary chrome trim.

Cabinet	Depth	Width	Height	Capacity
900mm	485/560	860	640-800	35kg

CODE	DESCRIPTION
69DLX024	LH UNIT-LH DOOR/RH BLANK
69DLX023	RH UNIT-RH DOOR/LH BLANK

Note: Fitting instructions supplied with product  
When fitting this product on Lucente Handleless doors please ensure that the door bracket is fitted away from the handle groove to avoid the screw holes showing through.



### Dynamic Tall Larder - Includes Chrome Wire Baskets



#### Features:

- NEW improved Gas piston (x2) assisted soft close action
- Includes 5 Baskets (recommended max loading 15KG / each basket)

Cabinet	Depth	Width	Height	Capacity
300mm	437	246	1835-2185	100kg
400mm	437	346	1835-2185	100kg
500mm	437	446	1835-2185	100kg
600mm	437	546	1835-2185	100kg

CODE	DESCRIPTION
69DYN030	300mm TALL LARDER
69DYN031	400mm TALL LARDER
69DYN032	500mm TALL LARDER
69DYN034	600mm TALL LARDER

**NEW & IMPROVED**  
Now Includes a new integrated bumper for improved soft closing action

Note: Fitting instructions supplied with product.  
When fitting this product on Lucente Handleless doors please ensure that the door bracket is fitted away from the handle groove to avoid the screw holes showing through.

### DELUXE Tall Larder - Includes Baskets With a Solid GREY Base



Please note: The base is GREY and not white as shown in the image

**NEW & IMPROVED**  
Now Includes a new integrated bumper for improved soft closing action

Note: Fitting instructions supplied with product.  
When fitting this product on Lucente Handleless doors please ensure that the door bracket is fitted away from the handle groove to avoid the screw holes showing through.

#### Features:

- NEW improved Gas piston (x2) assisted soft close action
- Includes 5 Baskets (recommended max loading 15KG / each basket)
- Baskets have a GREY chipboard base with a complimentary chrome trim.

Cabinet	Depth	Width	Height	Capacity
300mm	437	246	1835-2185	100kg
400mm	437	346	1835-2185	100kg
500mm	437	446	1835-2185	100kg
600mm	437	546	1835-2185	100kg

CODE	DESCRIPTION
69DLX031	300mm TALL LARDER
69DLX037	400mm TALL LARDER
69DLX032	500mm TALL LARDER
69DLX038	600mm TALL LARDER

69DLX031 300mm TALL LARDER  
69DLX037 400mm TALL LARDER  
69DLX032 500mm TALL LARDER  
69DLX038 600mm TALL LARDER

### Mid Height Larder - Includes Chrome Wire Baskets



**NEW & IMPROVED**  
Now Includes a new integrated bumper for improved soft closing action

Note: Fitting instructions supplied with product.  
When fitting this product on Lucente Handleless doors please ensure that the door bracket is fitted away from the handle groove to avoid the screw holes showing through.

#### Features:

- Cabinet width: 300 / 500mm
- Adjustable height: 1145 - 1495mm
- Includes 3 baskets (recommended max loading 15KG / each basket)
- Minimum internal cabinet depth: 450mm
- Soft close mechanism
- 100kg loading capacity

CODE	DESCRIPTION
69DYN027	300mm MED HEIGHT LARDER
69DYN028	500mm MED HEIGHT LARDER

69DYN027 300mm MED HEIGHT LARDER  
69DYN028 500mm MED HEIGHT LARDER

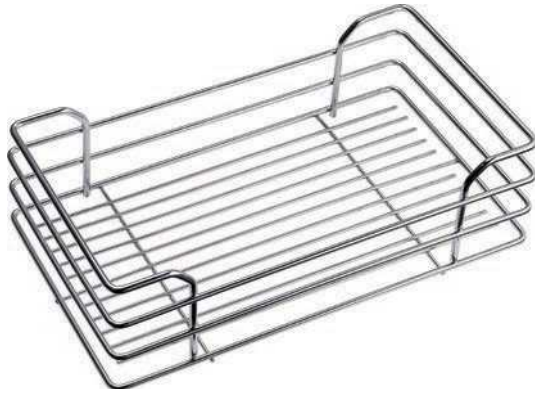
Fitting instructions for the Dynamic wirework are available at the following website:

[www.craftsmanltd.co.uk/wirework.pdf](http://www.craftsmanltd.co.uk/wirework.pdf)

# Wirework

## Dynamic Soft Closing Wirework

### Single Chrome Wire Baskets for Larders



#### Features:

- \ Extra baskets for Dynamic larders
- \ Available as single baskets

CODE	DESCRIPTION
69DYN010BADD	BASKET FOR 300 LARDER
69DYN011BADD	BASKET FOR 400 LARDER
69DYN012BADD	BASKET FOR 500 LARDER
69DYN014BADD	BASKET FOR 600 LARDER

### Under Sink Pull Out



#### Features:

- \ Cabinet width: 1000mm
- \ Minimum internal cabinet depth: 450mm
- \ Soft close mechanism
  - \ Includes tray
- \ 25kg loading capacity

CODE	DESCRIPTION
69DYN013	U SHAPED PULL OUT

Note: Fitting instructions supplied with product



# Wirework

## Classic Non-Soft Closing Wirework

### 300mm Pull Out Right Hand Base (Easy Access)



#### Features:

- \ Cabinet width: 300mm
- \ Easy access right hand unit
- \ Dimensions: 540 (D) x 245 (W) x 655mm (H)
- \ 15kg loading capacity

CODE	DESCRIPTION
69BASE07	300 PULL OUT BASE - RIGHT HAND

Note: Fitting instructions supplied with product

### 300mm Pull Out Base Unit - Right Hand



#### Features:

- \ Cabinet width: 300mm
- \ Right hand unit
- \ Dimensions: 520 (D) x 245 (W) x 630mm (H)
- \ 15kg loading capacity

CODE	DESCRIPTION
69BASE01	300 PULL OUT BASE - RIGHT HAND

Note: Fitting instructions supplied with product

### 300mm 45 Degree Angled Base - Right / Left Hand



#### Features:

- \ Cabinet width: 300mm
- \ Right & Left hand units available
- \ Dimensions: 520 (D) x 245 (W) x 630mm (H)
- \ 15kg loading capacity

CODE	DESCRIPTION
69BASE05	45 DEGREE ANGLED BASE (RH)
69BASE06	45 DEGREE ANGLED BASE (LH)

Note: Fitting instructions supplied with product



# Wirework

## Classic Non-Soft Closing Wirework

### 150mm Side Mounted Bottle Rack - Left Hand



#### Features:

- \ Cabinet width: 150mm
- \ Left hand unit
- \ Dimensions: 500 (D) x 108 (W) x 525mm (H)
- \ 10kg loading capacity

CODE	DESCRIPTION
69BASE02	150SIDE MOUNTED BOTTLE RACK

Note: Fitting instructions supplied with product

### 150mm Base Mounted Bottle Rack



#### Features:

- \ Cabinet width: 150mm
- \ Base mount unit
- \ Dimensions: 520 (D) x 110 (W) x 585mm (H)
- \ 15kg loading capacity

CODE	DESCRIPTION
69BASE03	150 BASE MOUNT BOTTLE RACK

### Blind Corner Unit - Right / Left Hand



#### Features:

- \ Minimum cabinet width: 700mm
- \ For corner units
- \ Right and Left hand units available
- \ Dimensions: 510 (D) x 610 (W) x 650mm (H)
- \ 15kg loading capacity

CODE	DESCRIPTION
69BLIND01	BLIND CORNER UNIT (RH)
69BLIND02	BLIND CORNER UNIT (LH)

Note: Fitting instructions supplied with product

# Wirework

## Classic Non-Soft Closing Wirework

### 300 / 400 / 500mm Larder



When fitting this product on Lucente Handleless doors please ensure that the door bracket is fitted away from the handle groove to avoid the screw holes showing through.

#### Features:

- \ Height adjustable
- \ Includes 6 Baskets

Cabinet	Depth	Width	Height	Capacity
300mm	510	245	1850-2000	50kg
400mm	510	345	1850-2000	50kg
500mm	510	445	1850-2000	50kg

CODE	DESCRIPTION
69LARDER010	300 LARDER
69LARDER009	400 LARDER
69LARDER011	500 LARDER

Note: Fitting instructions supplied with product

### 1/2 Carousel - Single Hinged



#### Features:

- \ Minimum cabinet width: 800mm
- \ For corner cabinet
  - \ Single hinged
- \ Dimensions: 740 (Diameter) x 70mm (H)
- \ 15kg loading capacity
- \ Minimum door size: 450mm

CODE	DESCRIPTION
69SWIVEL02	1/2 CAROUSEL (SINGLE)

Note: Fitting instructions supplied with product

### 1/2 Carousel - 2 Baskets, Pole Fitting



#### Features:

- \ Minimum cabinet width: 800mm
- \ For corner cabinet
  - \ 2 baskets
  - \ Pole fitting
- \ Dimensions: 650 (Diameter) x 670-720mm (H)
- \ 15kg loading capacity
- \ Minimum door size: 450mm

CODE	DESCRIPTION
69SWIVEL08	1/2 CAROUSEL

Note: Fitting instructions supplied with product

# Wirework

## Classic Non-Soft Closing Wirework

### 3/4 Carousel - 2 Baskets, Pole Fitting



#### Features:

- \ Cabinet size: 900 x 900mm
- \ For corner cabinet
  - \ 2 baskets
  - \ Pole fitting
- \ Dimensions: 650 (Diameter) x 670-720mm (H)
- \ 15kg loading capacity

CODE	DESCRIPTION
69SWIVEL07	3/4 CAROUSEL

Note: Fitting instructions supplied with product

### 150mm / 300mm Wine Rack Insert



#### Features:

- \ Cabinet width: 150mm / 300mm
- 150mm Dim: 180 (D) x 110 (W) x 640mm (H)
- 300mm Dim: 180 (D) x 260 (W) x 640mm (H)
- \ 15kg loading capacity

CODE	DESCRIPTION
69WINE02	150 WINE RACK INSERT
69WINE01	300 WINE RACK INSERT

Note: Fitting instructions supplied with product

### 400 -1000mm Drawer Basket



#### Features:

- \ Dimensions: 480mm (D) x 120mm (H) x (Cabinet Less 36mm)
- \ 10kg loading capacity

CODE	DESCRIPTION
69DRAWER21	CHROME BASKET 400mm
69DRAWER22	CHROME BASKET 450mm
69DRAWER23	CHROME BASKET 500mm
69DRAWER24	CHROME BASKET 600mm
69DRAWER25	CHROME BASKET 700mm
69DRAWER26	CHROME BASKET 800mm
69DRAWER27	CHROME BASKET 900mm
69DRAWER28	CHROME BASKET 1000mm

Note: Fitting instructions supplied with product

# Wirework

## Non-Soft Closing Accessories For Bedrooms

### Wardrobe Rail Lift



#### Features:

- ✓ Cabinet width: 800 - 1100mm
- ✓ Pull down rail system
- Dimensions: 530 (D) x 750 - 1100 (W) x 670mm (H)
- ✓ 12kg loading capacity

CODE	DESCRIPTION
69RAIL01	WARDROBE RAIL LIFT

Note: Fitting instructions supplied with product

### Internal Wardrobe Pull Out



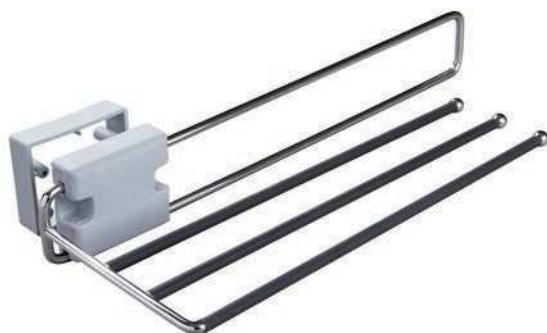
#### Features:

- ✓ Cabinet width: 800mm
- ✓ Internal pull out wardrobe system
- Dimensions: 520 (D) x 700 (W) x 1850 - 2000mm (H)
- ✓ 60kg loading capacity

CODE	DESCRIPTION
69WARD01	800INTERNAL PULL OUT

Note: Fitting instructions supplied with product

### Side Slide Trousler Pull Out



#### Features:

- ✓ Side slide pull out system
- ✓ Capacity to hold 3 trousers
- ✓ Dimensions: 460 (D) x 170 (W) x 70mm (H)
- ✓ 3kg loading capacity

CODE	DESCRIPTION
69WARD02	SIDE SLIDE TROUSER PULL OUT

Note: Fitting instructions supplied with product



# Wirework

## Non-Soft Closing Accessories For Bedrooms

### Shoe Rack - Easy Access



#### Features:

- \ Pull and twist - Easy access system
  - \ 3 Baskets
- \ Dimensions: 550 (D) x 250 (W) x 660mm (H)
- \ 10kg loading capacity

CODE	DESCRIPTION
69WARD03	SHOE RACK - EASY ACCESS

Note: Fitting instructions supplied with product

### Side Slide Tie and Belt Rail



#### Features:

- \ Side slide pull out system
- \ Capacity to hold 6 ties and 5 belts
- \ Dimensions: 460 (D) x 100 (W) x 130mm (H)
- \ 3kg loading capacity

CODE	DESCRIPTION
69WARD04	SIDE SLIDETIE & BELTRAIL

Note: Fitting instructions supplied with product

### Side Slide Tie Rail



#### Features:

- \ Side slide pull out system
- \ Capacity to hold 11 ties
- \ Dimensions: 460 (D) x 100 (W) x 130mm (H)
- \ 3kg loading capacity

CODE	DESCRIPTION
69WARD05	SIDE SLIDE TIE RAIL

Note: Fitting instructions supplied with product

# Wirework

## Non-Soft Closing Accessories For Bedrooms

### Side Slide Utility Basket



#### Features:

- ✓ Side slide pull out system
- ✓ Dimensions: 460 (D) x 180 (W) x 180mm (H)
- ✓ 5kg loading capacity

CODE	DESCRIPTION
69WARD06	SIDE SLIDE UTILITY BASKET

Note: Fitting instructions supplied with product

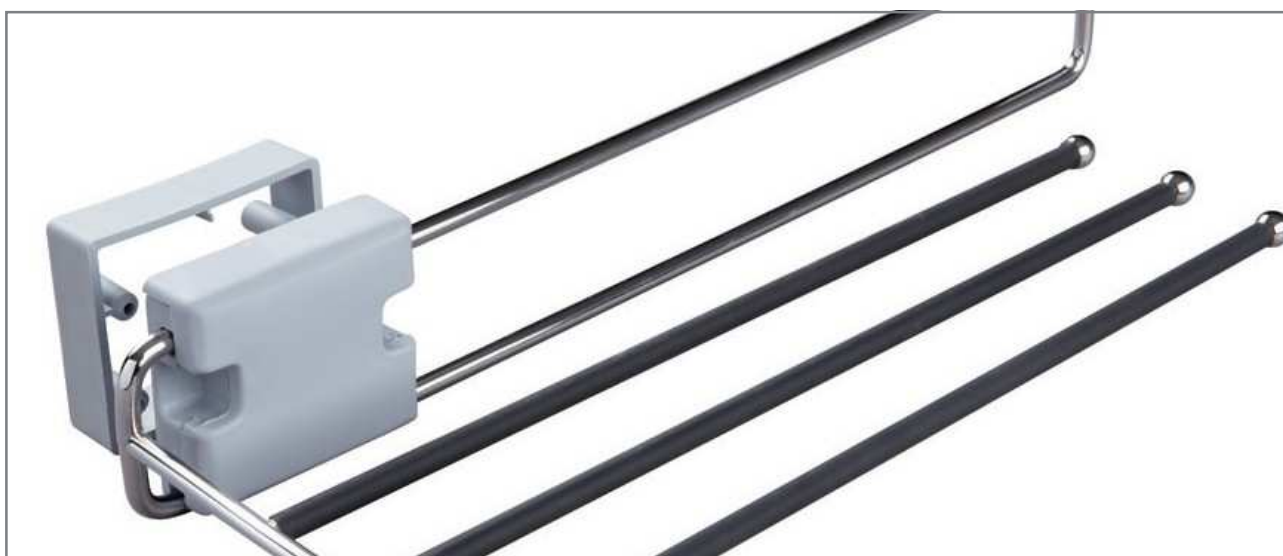
### 400mm Laundry Basket



#### Features:

- ✓ Cabinet width: 400mm
- ✓ Basket attaches to back of the door
- ✓ Dimensions: 280 (D) x 330 (W) x 550mm (H)
- ✓ 8kg loading capacity

CODE	DESCRIPTION
69LAUNDRY01	400 LAUNDRY BASKET



### Chrome Oval Rail



#### Features:

- \ Sold individually
- \ Oval rail - 30 x 15 x 3000mm

CODE	DESCRIPTION
12CHROME006	CHROME OVAL RAIL

Note: Fitting instructions supplied with product

### Chrome Centre Supports and End Brackets



#### Features:

- \ Sold individually
- \ To suit Oval rail - 30 x 15mm

CODE	DESCRIPTION
12CHROME001	CHROME CENTRE SUPPORT
12CHROME004	CHROME END BRACKET

Note: Fitting instructions supplied with product

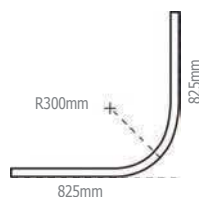
### Chrome Corner Rail



#### Features:

- \ Sold individually

CODE	DESCRIPTION
12CHROME008	CHROME CORNER RAIL



Note: Fitting instructions supplied with product



# Accessories

## Cooker Hoods & Accessories


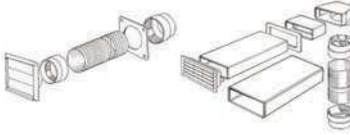
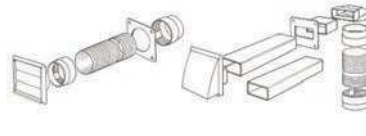
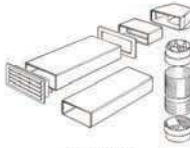

In keeping with the latest trends and fashions is this range of complimentary and modern cooker hoods. Practical and functional, our cooker hoods are designed to enhance the overall appearance of any kitchen. Up to 2 years labour warranty and 5 years parts guarantees available.



SPECIFICATION		PRODUCT IMAGE
PRODUCT	600mm STEEL CHIMNEY HOOD	
PRODUCT CODE	17STEEL600B	
PRODUCT DETAILS	MECHANICAL PUSH BUTTON CONTROL OPERATION 3 SPEEDS 2 WASHABLE METALLIC GREASE FILTERS 2 LIGHTS EXTRACTION CAPACITY 500m3/hr EXTRACTION OR RECIRCULATION	
PRODUCT	900mm STEEL CHIMNEY HOOD	
PRODUCT CODE	17STEEL900B	
PRODUCT DETAILS	MECHANICAL PUSH BUTTON CONTROL OPERATION 3 SPEEDS 3 WASHABLE METALLIC GREASE FILTERS 2 LIGHTS EXTRACTION CAPACITY 500m3/hr EXTRACTION OR RECIRCULATION	
PRODUCT	600mm GLASS CHIMNEY HOOD	
PRODUCT CODE	17GLASS600B	
PRODUCT DETAILS	MECHANICAL PUSH BUTTON CONTROL OPERATION 3 SPEEDS 1 WASHABLE METALLIC GREASE FILTERS 2 LIGHTS EXTRACTION CAPACITY 500m3/hr EXTRACTION OR RECIRCULATION	
PRODUCT	900mm GLASS CHIMNEY HOOD	
PRODUCT CODE	17GLASS900B	
PRODUCT DETAILS	MECHANICAL PUSH BUTTON CONTROL OPERATION 3 SPEEDS 2 WASHABLE METALLIC GREASE FILTERS 2 LIGHTS EXTRACTION CAPACITY 500m3/hr EXTRACTION OR RECIRCULATION	
PRODUCT	600mm INTEGRATED EXTRACTOR	
PRODUCT CODE	17HOOD06	
PRODUCT DETAILS	SLIDER CONTROL OPERATION 3 SPEEDS 1 WASHABLE METALLIC GREASE FILTER 1 LIGHT EXTRACTION CAPACITY 330m3/hr EXTRACTION OR RECIRCULATION	

# Accessories

## Cooker Hoods & Accessories

SPECIFICATION		PRODUCT IMAGE
PRODUCT	CHARCOAL FILTER	
PRODUCT CODE	17FILTER06 (GLASS CHIMNEY HOOD)	
	17FILTER07 (STEEL CHIMNEY HOOD)	
	17FILTER08 (INTEGRATED EXTRACTOR)	
PRODUCT DETAILS	INFORMATION SUPPLIED IN PACK	
<hr/>		
PRODUCT	DUCTING KIT	
PRODUCT CODE	1729 (100mm (4") X 1m)	
	1728 (100mm (4") X 3m)	
PRODUCT DETAILS	INFORMATION SUPPLIED IN PACK	
<hr/>		
PRODUCT	DUCTING KIT	
PRODUCT CODE	1726 (125mm (5") X 1m)	
	1727 (125mm (5") X 3m)	
PRODUCT DETAILS	INFORMATION SUPPLIED IN PACK	
<hr/>		
PRODUCT	DUCTING KIT	
PRODUCT CODE	1721 (150mm (6") X 1m)	
	1722 (150mm (6") X 3m)	
PRODUCT DETAILS	INFORMATION SUPPLIED IN PACK	
<hr/>		
PRODUCT	REDUCERS	
PRODUCT CODE	1723 (150mm (6") - 125mm (5"))	
	1725 (125mm (5") - 100mm (4"))	
PRODUCT DETAILS	INFORMATION SUPPLIED IN PACK	



600mm Integrated Extractor


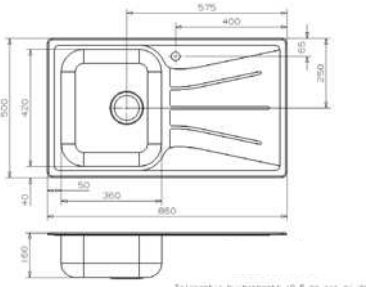

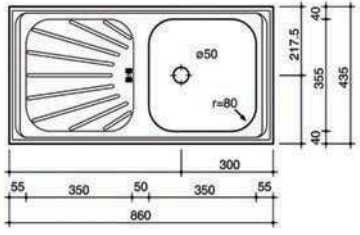

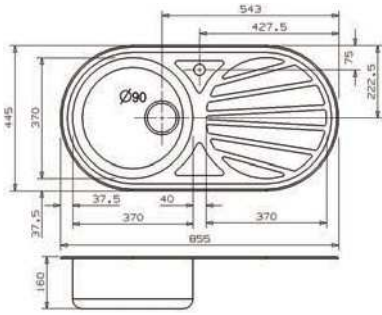
# Accessories

## Sinks & Taps

Over 40 years of experience offers an unrivalled range of sinks and accessories to suit every environment. Every stainless steel sink is manufactured in their own factory in Holland, allowing total control in the design, quality & manufacture of every product.



This means that we can offer a full 10 year guarantee on all Reginox stainless steel and ceramic sinks. A 5 year guarantee on all regi-flow taps and a 1 year guarantee on all accessories. All stainless steel sinks include a full waste and overflow kit. For Reginox after sales service please call 01260 280033.


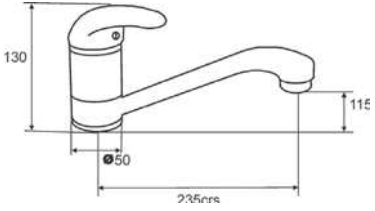

PRODUCT INFORMATION		PRODUCT IMAGE	DRAWING
PRODUCT CODE	SINGLE BOWL 'PRO' SINK 17REG001		
PRODUCT CODE	SINGLE BOWL CONTRACT SINK 17REG010		
PRODUCT CODE	ROUND BOWL CONTRACT SINK 17REG012		

PRODUCT INFORMATION		PRODUCT IMAGE	DRAWING
PRODUCT	ONE & HALF BOWL 'PRO' SINK		
CODE	17REG002		
PRODUCT	WASTE KITS		
CODE	17WASTE		



# Accessories

## Sinks & Taps

PRODUCT INFORMATION		PRODUCT IMAGE	DRAWING
PRODUCT	SINGLE LEVER CHROME TAP		
CODE	17REG030		
PRODUCT	DUAL LEVER CHROME TAP		
CODE	17REG031		
PRODUCT	SINGLE LEVER PILLAR TAP		
CODE	17REG032		



# Accessories Components

SPECIFICATION		PRODUCT CODE AND INFORMATION	PRODUCT IMAGE
PRODUCT	2 ARM TOWEL RAIL	91TOWEL3	
MATERIAL / FINISH	ALUMINIUM		
MISC			
PRODUCT	GLASS SHELVES	15GLASS400 (FOR 400 CARCASE) 15GLASS500 (FOR 500 CARCASE) 15GLASS600 (FOR 600 CARCASE) 15GLASS800 (FOR 800 CARCASE) 15GLASS100 (FOR 1000 CARCASE)	
MATERIAL / FINISH	GLASS		
MISC	TO FIT 18mm CARCASE SOLD IN PAIRS 240mm DEEP 6mm THICK GLASS TOUGHENED GLASS		
PRODUCT	GLASS SHELVES FOR CURVED DOORS	15GLASSCURVE	
MATERIAL / FINISH	GLASS		
MISC	FOR 300 X 300 CURVED CARCASE SOLD IN PAIRS 240 x 240 x 6mm TOUGHENED GLASS		
PRODUCT	SHELF SUPPORTS	15SHELF01A (TRANSPARENT)	
MATERIAL / FINISH	TRANSPARENT		
MISC	SOLD AS A PACK OF 1000 5mm PIN		
PRODUCT	STEEL PILASTER	87STEEL720 (100 X 720mm) 87STEEL870 (100 X 870mm)	
MATERIAL / FINISH	STAINLESS STEEL		
MISC	SOLD AS SINGLES 100mm WIDE		
PRODUCT	STEEL WASTE BIN	69BIN01	
MATERIAL / FINISH	STEEL / PLASTIC		
MISC	8 LITRE CAPACITY DIM(mm): 320 (H) X 310 (W) X 310 (D)		
PRODUCT	CHROME ECO WASTE BIN	69BIN02	
MATERIAL / FINISH	CHROME / PLASTIC		
MISC	2 X 8 LITRE CAPACITY MINIMUM CABINET WIDTH 450mm DIM(mm): 420 (H) X 389 (W) X 215 (D)		








# Accessories Components

SPECIFICATION		PRODUCT CODE AND INFORMATION	PRODUCT IMAGE
PRODUCT	ECO 2 WASTEBIN	69BIN03 (ECO WASTE BIN) 69BIN06 (BIO WASTE FILTER)	
MATERIAL / FINISH	PLASTIC		
MISC	2 X 9 LITRE CAPACITY MINIMUM CABINET WIDTH 400mm DIM(mm): 515 (H) X 350 (W) X 350 (D)  BIO WASTE FILTER SOLD SEPARATELY		
PRODUCT	ECO 3 WASTEBIN	69BIN04 (ECO WASTE BIN) 69BIN06 (BIO WASTE FILTER)	
MATERIAL / FINISH	PLASTIC		
MISC	1 X 19 LITRE CAPACITY 1 X 12 LITRE CAPACITY 1 X 9 LITRE CAPACITY MINIMUM CABINET WIDTH 500mm DIM(mm): 525 (H) X 470 (W) X 450 (D)  BIO WASTE FILTER SOLD SEPARATELY		
PRODUCT	ECO 4 WASTEBIN	69BIN05 (ECO WASTE BIN) 69BIN06 (BIO WASTE FILTER)	
MATERIAL / FINISH	PLASTIC		
MISC	1 X 12 LITRE CAPACITY 3 X 9 LITRE CAPACITY MINIMUM CABINET WIDTH 500mm DIM(mm): 525 (H) X 470 (W) X 450 (D)  BIO WASTE FILTER SOLD SEPARATELY		
PRODUCT	BIO WASTE FILTER	69BIN06	
MATERIAL / FINISH	PLASTIC		
MISC	FOR USE WITH 9 LITRE ECO BIN ONLY		
PRODUCT	PULL OUT BIN - SINGLE	69BIN07	
MATERIAL / FINISH	CHROME / PLASTIC		
MISC	1 X 16 LITRE CAPACITY MINIMUM CABINET WIDTH 400mm DIM(mm): 350 (H) X 295 (W) X 370 (D)		
PRODUCT	PULL OUT BIN 2 COMPARTMENTS	69BIN08	
MATERIAL / FINISH	CHROME / PLASTIC		
MISC	2 X 7.5 LITRE CAPACITY MINIMUM CABINET WIDTH 400mm DIM(mm): 350 (H) X 295 (W) X 370 (D)		
PRODUCT	TRIO RECYCLING BIN & TRAY	69BIN09	
MATERIAL / FINISH	PLASTIC		
MISC	3 X 12 LITRE CAPACITY TO FIT 1000mm CARCASE DIM(mm): 230 (H) X 940 (W) X 500 (D) SUPPLIED WITH WITH 3 COMPARTMENTS		



# Accessories Components

SPECIFICATION		PRODUCT CODE AND INFORMATION	PRODUCT IMAGE
PRODUCT	SHAKER STYLE PILASTER	87SHOAK (OAK) 87SHMAPLE (MAPLE)	
MATERIAL / FINISH	OAK / MAPLE		
MISC	900mm HIGH AVAILABLE TO BE POLISHED / PAINTED TO ANY COLOUR		
PRODUCT	BLACK ADJUSTABLE LEGS, PLINTH CLIPS AND PLATES	15ADJ100 (100mm LEG) 15ADJ150 (150mm LEG) 15ADJCLIP (4 X PLINTH CLIP & PLATES)	
MATERIAL / FINISH	PLASTIC		
MISC	100 / 150mm HEIGHT FOR LEGS SET OF 4		
PRODUCT	CHROME LEG	15CHROME03 (470mm) 15CHROME02 (710mm) 15CHROME01 (870mm)	
MATERIAL / FINISH	CHROME		
MISC	60mm DIAMETER AVAILABLE HEIGHTS: 470 / 710 / 870mm		
PRODUCT	STEEL LEG	15STEEL02 (710mm) 15STEEL01 (870mm)	
MATERIAL / FINISH	STEEL		
MISC	60mm DIAMETER AVAILABLE HEIGHTS: 710 / 870mm		
PRODUCT	STEEL PENNISULAR SUPPORT FRAME	15PEN02	
MATERIAL / FINISH	STEEL		
MISC	AVAILABLE IN 1500mm LENGTH CAN BE CUT DOWN LEG NOT INCLUDED		
PRODUCT	MITRE MATE ADHESIVE AND ACTIVATOR	9906	
MATERIAL / FINISH	N/A		
MISC			

# Accessories Components

SPECIFICATION		PRODUCT CODE AND INFORMATION	PRODUCT IMAGE
PRODUCT	BZP SCREW	89B3.516A (3.5 X 16mm / 5/8 X 6) 89B3.525A (3.5 X 25mm / 1 X 6)	
MATERIAL / FINISH	BRIGHT ZINC PLATED		
MISC	POZI SCREWS HARDENED AND TWIN THREADED SOLD AS A PACK OF 1000 SCREWS		
PRODUCT	BLACK CARCASE SCREWS (7 X 45)	89BHIL001 (1000 SCREWS)	
MATERIAL / FINISH	STEEL		
MISC	POZI SCREWS 7 X 45 SOLD AS A PACK OF 1000 / 7000 SCREWS		
PRODUCT	TRASER CABINET HANGERS	15TRASER01 (LEFT CAB HANGER) 15TRASER02 (RIGHT CAB HANGER) 15TRASER03 (WALL PLATE DOUBLE) 15TRASER04 (NICKEL COVER CAP)	
MATERIAL / FINISH	STEEL & PLASTIC		
MISC	SOLD AS SINGLES OR A PACK OF 200 / 1000		
PRODUCT	CABINET HANGERS	15CAB01 (CAB HANGER RAL 9001) 15CAB02 (CAB HANGER PLATES)	
MATERIAL / FINISH	STEEL & PLASTIC		
MISC	SOLD AS A PACK OF 100 / 1000		
PRODUCT	PIANO HINGE	95PIANO02 (CHROME)	
MATERIAL / FINISH	CHROME PLATED		
MISC	1800 X 32mm		
PRODUCT	MENDING PLATE	96MEND01 (RAL 9001)	
MATERIAL / FINISH	RAL 9001 / ZINC PLATED		
MISC			
PRODUCT	CORNER / TEE JOINTS AND END CAPS	10ALU001 (30mm CORNER JOINT, 12mm RAD) 10ALU002 (40mm CORNER JOINT, 12mm RAD) 10ALU003 (30mm END CAP, 12mm RAD) 10ALU004 (40mm END CAP, 12mm RAD)	
MATERIAL / FINISH	ALUMINUM		
MISC			

SPECIFICATION		PRODUCT CODE AND INFORMATION	PRODUCT IMAGE
PRODUCT	TRANSPARENT DOOR BUFFERS	14BUFF01	
MATERIAL / FINISH	TRANSPARENT		
MISC	SOLD AS A PACK OF 1000 SELF ADHESIVE		
PRODUCT	ANGLE BRACKETS	96ANG01 (19 X 19mm) 96ANG02 (25 X 25mm) 96ANG03 (38 X 38mm)	
MATERIAL / FINISH	MILD STEEL		
MISC	SOLD AS A PACK OF 100		
PRODUCT	HALF BLOCKS (MOD BLOCKS)	14HALF01 (WHITE) 14HALF02 (BEIGE) 14HALF04 (BROWN)	
MATERIAL / FINISH	WHITE / BEIGE / BROWN PLASTIC		
MISC	SOLD AS A PACK OF 1000		
PRODUCT	KD BLOCKS	14KD01 (WHITE) 14KD02 (BEIGE)	
MATERIAL / FINISH	WHITE / BEIGE PLASTIC		
MISC	SOLD AS A PACK OF 1000		
PRODUCT	WORKTOP VENT	1712 (480 X 80mm)	
MATERIAL / FINISH	ALUMINIUM		
MISC			
PRODUCT	WORKTOP 150MM CONNECTOR	10BOLT	
MATERIAL / FINISH			
MISC			
PRODUCT	CORNER CASTOR	96CAST01	
MATERIAL / FINISH	METAL PLATE CASTOR	96CAST02	
MISC			



**TelMr. Tadas Bukys (Tom) - Customer Service and Sales Manager**

tadas@craftsmanltd.co.uk

Mobile: 07834174422 ext1 or +370 657 91889 (Direct line)

Telephone: 0118 3215892 ext1

Fax: 0207 681 3652

Skype User Name: tadasbukys1978

**Mr. Marius Bukys (Mario) - Templating and Fittings Manager**

marius@craftsmanltd.co.uk

Mobile: 07748 460049

Telephone: 0118 321 5892 ext2 or 0118 983 4588 (answer phone)

Fax: 0207 681 3652

**Showroom & Warehouse Address**

Unit 8, Abbots Farm

Sulhamstead Road

Burghfield Common

Reading, Berkshire

RG7 4ED

All goods are sold subject to our Terms and Conditions of Sale which are available upon request.